

## Standard Leveler

A nylon glide that screws into the base of the leg. It permits about 1" to 1-1/4" vertical adjustment. One of its great benefits is it is concealed and invisible from most viewing levels. Included at no charge.



## Plate Leveler

A big seller since we introduced in 1987. The Plate Leveler is a 1/2" thick solid steel disc with 1/2" screw welded to it, permitting about 1" of vertical movement. It is the same diameter as the table leg and finished the same, so when the Plate Leveler is screwed all the way in or just slightly adjusted as in the photo here, the viewer's eyes tends to see leg and leveler as one; psychologically, one merges both. Try it. The Plate Leveler adds an elegant touch to any table leg.



## Casters

Casters add a different finishing touch to legs, now that such a variety of industrial and design casters are available. We can use your casters or ours. Here are two concepts. Don't they look great, each in its own distinct way?



## Ingram/Larimore Sabots

Designed by: Robert Ingram, Jack Larimore - Philadelphia, PA

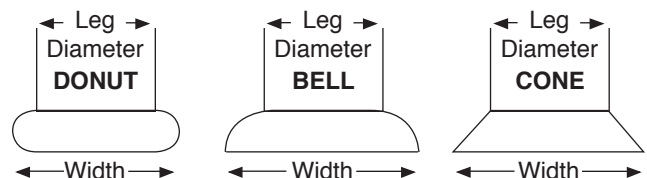
A whole new dimension to finishing a leg. Now, one can continue a line used elsewhere in the table or in the room design. Or, one can use sabots as a statement to emphasize the leg or draw a viewer's eye lower in the overall perspective.

Available in a variety of woods. Sabot come in two heights and shapes shown here, unfinished. Four week delivery

Note: No vertical adjustment

Sabot dimensions

LEG DIAMETER	SHORTER Ht x Wdth	TALLER Ht x Wdth
3"	1 x 4-1/8"	2 x 4-7/8"
4"	1 x 5-1/8"	2 x 5-7/8"
6"	1 x 7-1/8"	2 x 7-7/8"





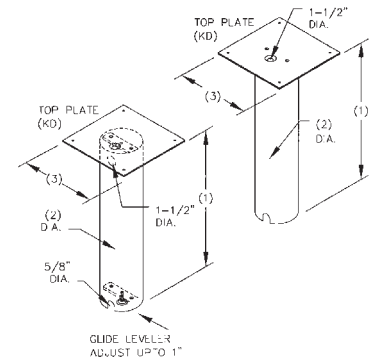
## TLW Series Designed by Peter Stathis - San Francisco, CA

Peter's been noodling on how to best incorporate wire management into our line of table legs for quite some time now. He has triumphantly come up with several viable solutions to handle the wires. One leg incorporates a 1 1/2" hole in the top plate of the leg. The plugs and cords can go through your desktop via one of our fine grommets placed directly above the center of the leg. The wires will go through the leg to the bottom and exit via a mousehole. Good-bye wires, good-bye problems. Hello, fine solution.

Or, the wires can enter this leg from a 1 1/2" diameter hole at the top of the tube, then drop down to the mousehole exit. Comes 4" or 6" diameter by 27", 28 1/2" high and 34 1/2" or any other height available. Plate leveler available. Call for pricing.

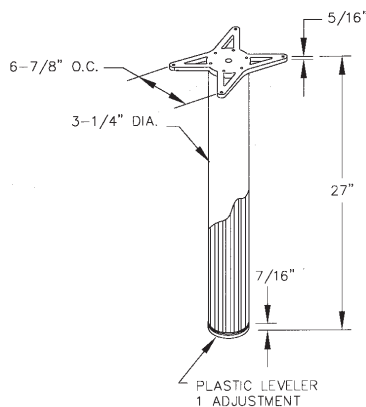
Finishes: Polished Chrome (26), Satin Chrome (26D), Matte Black (90), Custom.

	1	2	3
<b>TL27W</b>	27"	4" 6"	10" sq. 12" sq.
<b>TL28W</b>	28 - 1/2"	4" 6"	10" sq. 12" sq.
<b>TL34W</b>	34 - 1/2"	4" 6"	10" sq. 12" sq.



## TLRUL Series, Rubber Leg

That's right a Rubber Leg! This contemporary design steel leg has a taut seamless rubber cover instead of a plated or painted finish. The look is elegant. The texture is, well, rubbery. The overall effect is amazing. When you want something different, try the Rubber Leg: it's the ultimate contemporary expression. One size only, 27" tall by 3 1/4" diameter. Finish: Black only (90).





## TLWH - Whitley Leg

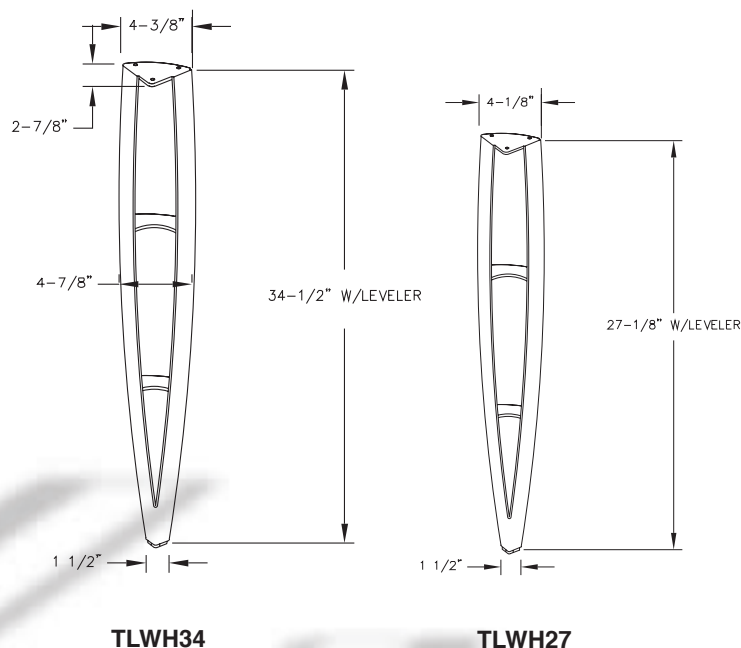
Designed by: Chip Whitley  
- Alexander City, AL

An exciting and provocative design of welded steel plates giving an illusion of curves; perfect for ultra-contemporary tables, or perhaps even '50's designs? As Mr. Whitley explains:

"The design of the leg is somewhat a contradiction of form. Flat planes combine to give a sense of a solid curving leg. Visual interest is increased by the negative space between the plates, which provide strength and define the form."

Available now in 34 1/2" (TLWH34)  
and 27 1/8" (TLWH27) heights.

Finishes: Matte Black (90)  
or Crystalite Chrome (26C).  
Custom finishes available.



## TLRAL Series, Roma Leg

We call this beauty the "Roma Leg" because its fine design and unique action reminds us of the best furniture components from Italy.

The neat concept about this 3 1/4" diameter leg is that it easily adjusts as much as 6" vertically, from 27" to 33". Just rotate the barrel, move the leg up or down to the right height, and twist the barrel closed. Though the leg adjusts higher, we've found it is far more stable with less height adjustment. A great leg for lightweight use.

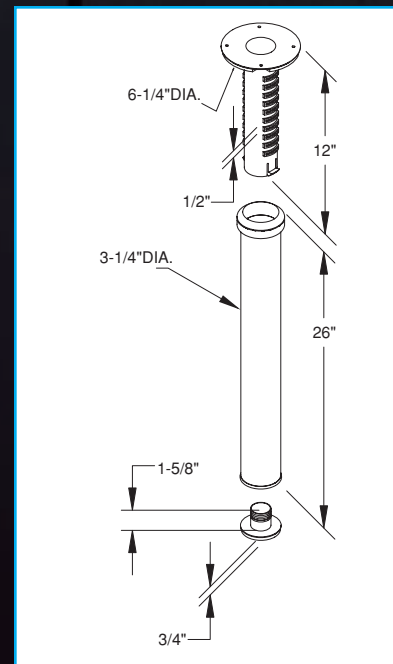
That's a lot of adjustment in one good lookin' leg. Best of all, it can solve several height problems you may encounter in one job. You may need 27" on the office desk, 29" on the dining table, and 33" on the wheelchair accessible table. Roma Leg does them all!

Takes five seconds to change height. It's that easy. Change height as often as you want, effortlessly.

Available in smooth or serrated tube.

Smooth tube finishes: Polished Chrome (26), Matte Black (90), Satin Chrome (26D), Unfinished (U), Custom.

Serrated tube finishes: Satin Aluminum (94), Matte Black (90).

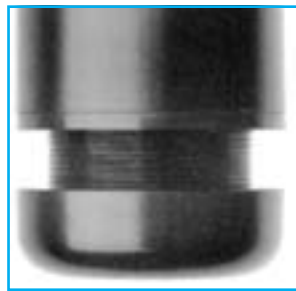
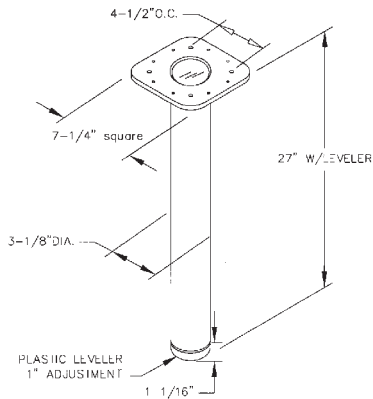


## TLM Series, Milano Leg

Introduced in 1990, the Milano Series leg is some 20% cheaper than our regular table leg. No wonder it became an instant hit!

It is made of 18 gauge steel, 3 1/8" diameter and 27" tall with a 7 1/4" top plate that gently radiuses into the leg. Looks great from any angle. The pleasantly rounded leveler seats flush with the diameter of the leg and unscrews for 1" height adjustment. All top plates and levelers are black ABS plastic, contrasting or complementing the leg. Compare with our regular round legs and you'll agree - these are "Great Lookin' Legs™" at really great prices.

Finishes: Polished Chrome (26), Satin Chrome (26D), Matte Black (90), Unfinished (U), Custom.



## TLF Series, The Original Fields Leg



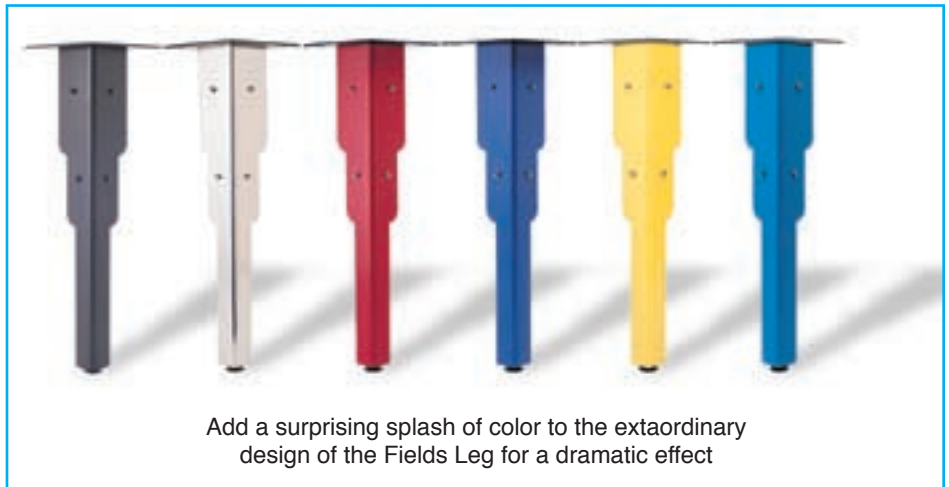
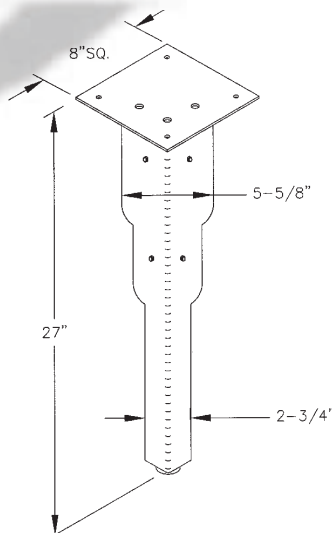
Designed by: Robert Fields - Walnut Creek, CA

Unlike other table legs that are formed from rolled steel, the beauty of Mr. Fields' design is it is brake-formed from a flat piece of 10 gauge steel. The delightful scalloped pattern is cut, then the metal is bent to a 90 degree angle. Simple and stylish.

Both inside and outside of the leg is finished, and the Fields leg can be mounted in any direction. That's just one more aspect of its beautiful design.

Another part of the design are the four holes through which you can put your own finishing touches. We provide Polished Chrome cap nuts as shown.

Made to order, 6-8 weeks to make. Adjustable glide standard.

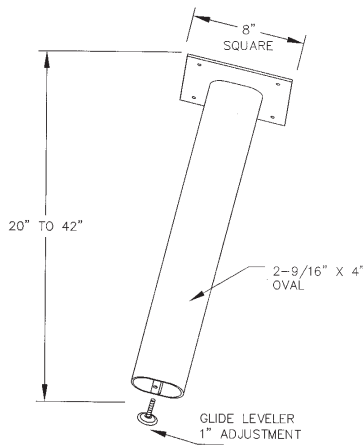
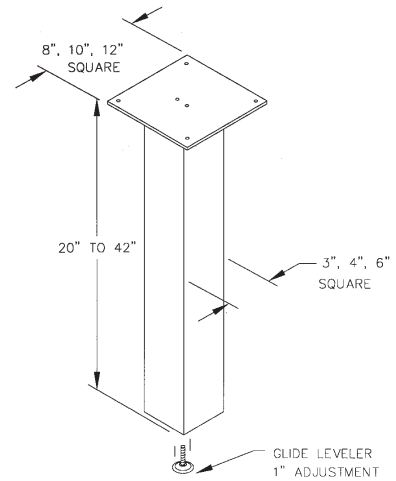


Add a surprising splash of color to the extraordinary design of the Fields Leg for a dramatic effect

## Square Leg

The Square has a commanding presence with gently radiused edges and is seamless. Available in 3", 4" and 6" by 27" tall; other sizes also available. Made to order, 6 week delivery.

Finishes: Polished Chrome (26), Satin Chrome (26D), Matte Black (90), Unfinished (U), Custom.



## Oval Leg

The Oval, a softer slimline design that looks great with contemporary furniture. Oval is 2 9/16" X 4" oval by 27" tall; other sizes also available. Made to order, 6 weeks delivery.

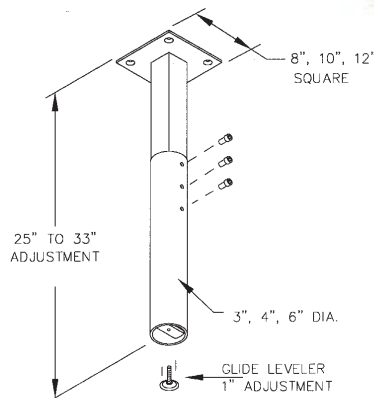
Finishes: Polished Chrome (26), Satin Chrome (26D), Matte Black (90), Unfinished (U), Custom.

## Contrast Leg

Designed by: Peter Stathis - San Francisco, CA

Dichotomous elements of smaller square tube into larger round one, finished differently for contrast. Three allen screws for adjusting. Each is custom made. Allow 6-8 weeks delivery.

Size to your needs: 25" to 33" high, round tube can be 3", 4" or 6".



## TLFAEX

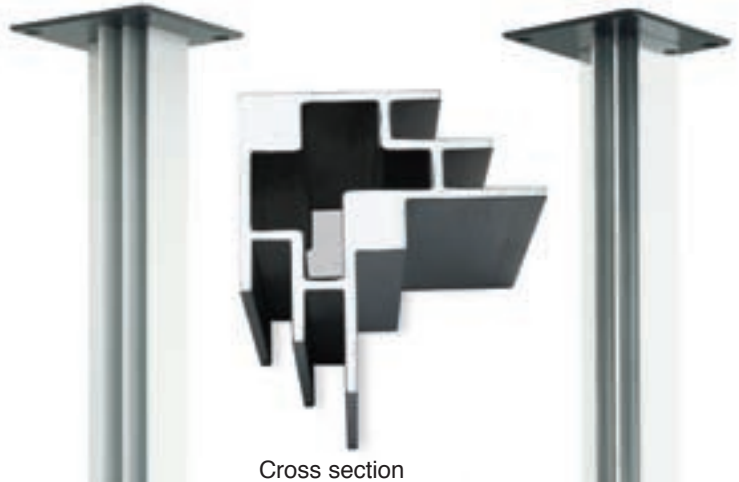
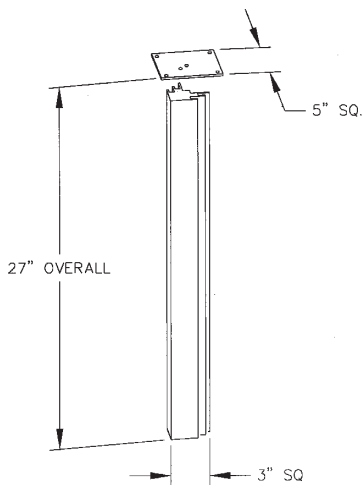


Designed by: Robert Fields  
- Walnut Creek, CA

This exciting leg design is all angles and subtle light reflections. Extruded from aluminum and then polished or plated, it offers a most unusual design that will make any contemporary table or desk shine. If you want to make a statement, this is it! Size is 3" square and 27" tall though we can make it any height you want.

Note the channels act as wire management, and we offer an optional press fit extrusion to conceal wiring.

Finish: Polished Aluminum (100) or Satin Anodized (94), other finishes available.



Cross section

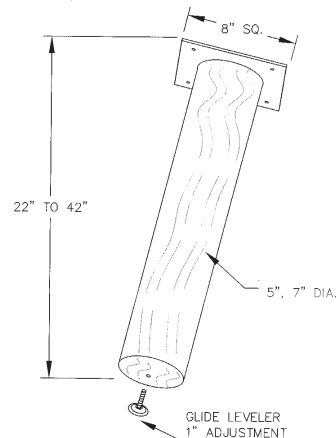
Satin

Polished

## Wood

Genuinely "Great Lookin' Legs!"™. Made of Genuine Wood Veneer, not some cheesy, paper-wrapped or vinyl-wrapped replica.

Standard species are Maple, White and Red Oak, Mahogany and Walnut. Most other species also available. Comes in 5", 7" diameter by 27" tall, though most other sizes can be accommodated. 6-8 weeks delivery.



## Kyros "Plus" Pedestal Leg/Base

A heftier, good looking Kyros leg, popular because of its adjustability. Features heavier duty round tube diameter of 4 13/16", massive adjustable interior tube 3 3/8" square.



### TLKAP

An aluminum disc covers a steel weighted base, is 20" in diameter and finished to a high polish. With this base the leg adjusts from 27 1/4" to 36" and locks in place with allen screws. Table tops of up to 42" diameter can be placed atop this fine design.

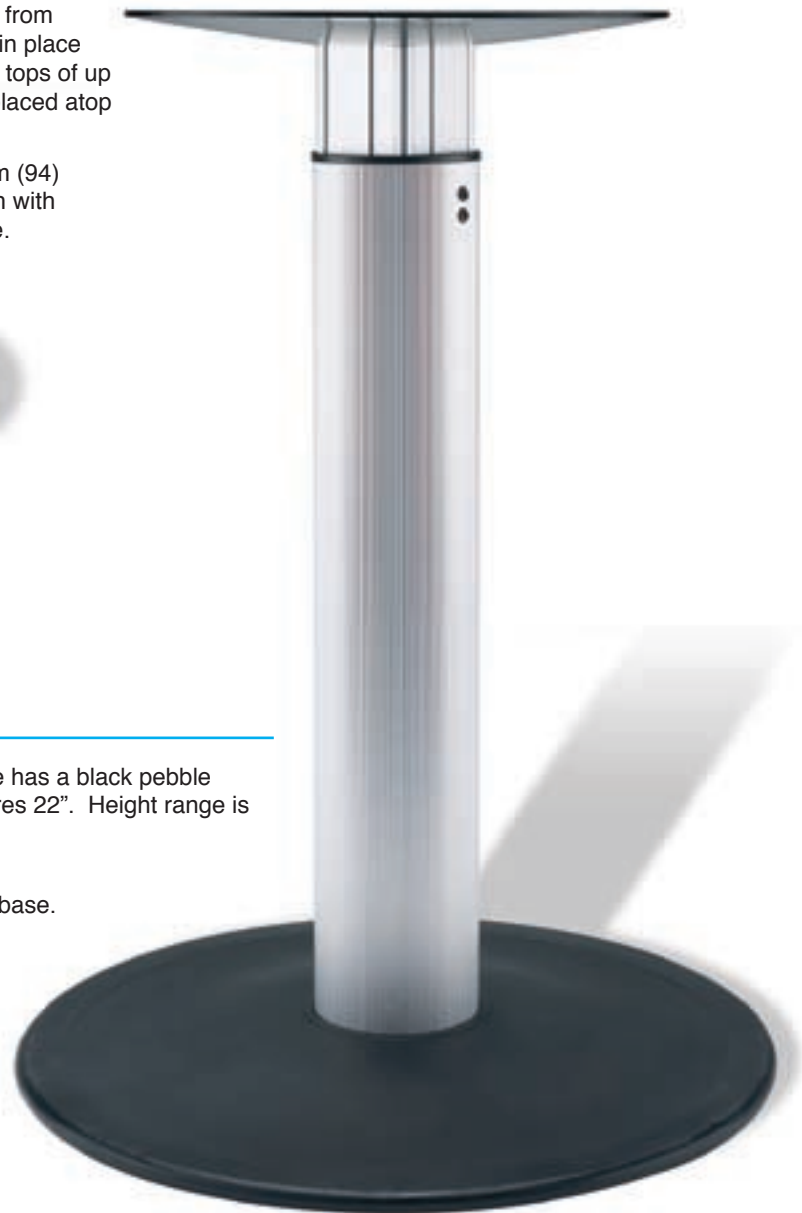
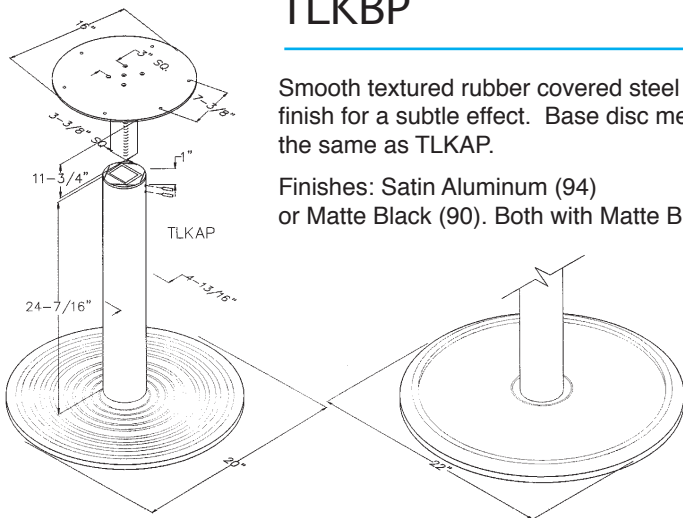
Finishes: Satin Aluminum (94) or Matte Black (90). Both with Polished Aluminum base.



### TLKBP

Smooth textured rubber covered steel base has a black pebble finish for a subtle effect. Base disc measures 22". Height range is the same as TLKAP.

Finishes: Satin Aluminum (94) or Matte Black (90). Both with Matte Black base.





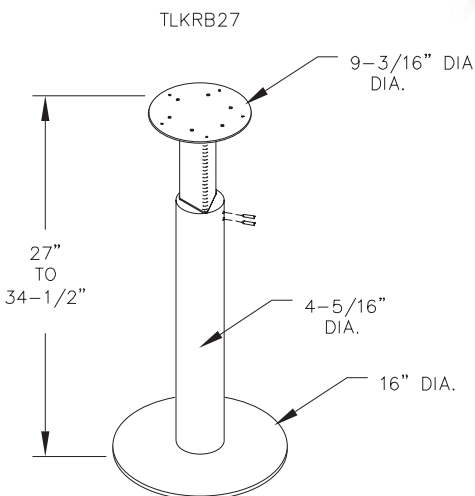
## TLK Series, Kyros Leg

There is something very sensual about extruded aluminum, an effect and feel one does not get from cold rolled steel. Call it a softness, perhaps, that aluminum has and steel does not. Plus, the Kyros has serrations all around which add to its appeal, particularly in the satin aluminum finish.

It comes with your choice of bases: A 5" diameter base, or a heavy 16" diameter rubber-covered steel disc to use as a freestanding table base that will suit a table top up to 36" diameter. The rubber covering the large base adds another dimension of softness and good design where one least expects it.

This is a heavy duty leg or table base. Better yet, it adjusts 7 1/2" up and down, from 27" to 34 1/2". Just loosen the allen screws, adjust height, and re-tighten. Good-looking triangular tube insert plays well off the serrated primary tube. Diameter of primary tube is 4 5/16".

Finishes: Matte Black (90), Satin Aluminum (94), Custom.



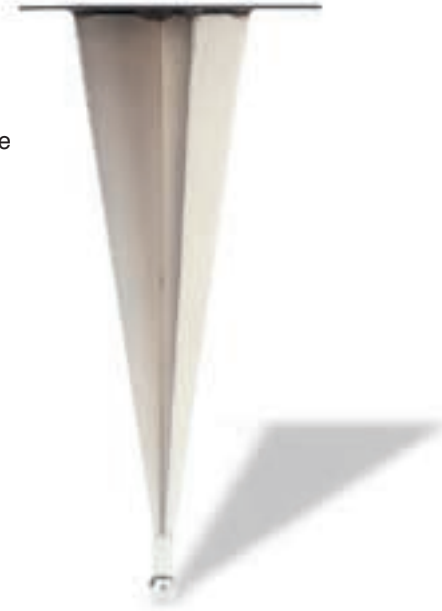
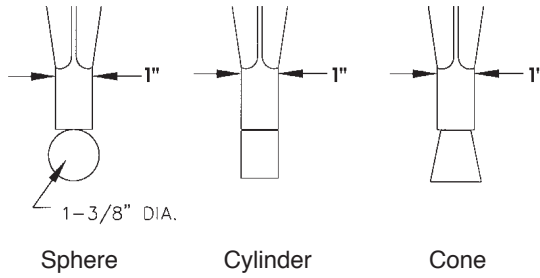
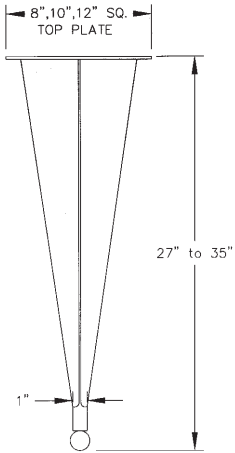


## “Egyptoid” Leg

Designed by: Alan K. Calnek - Baltimore, MD

Designed to be made from intersecting planes of inverted triangles meeting in a stylized base - a sphere, cone or cylinder - each will be made to your exact specifications.

Suggested widths are 6”, 8” and 10” at the top by 27” high. Any height available. Egyptoid Legs come in matte and satin finishes only. 6-8 weeks to make.



Designed by: Nancy Montgomery - Los Angeles, CA

Any lady who races fire breathin' motorcycles and designs table legs can't be all bad! Nancy has come up with a terrific line of table legs that are quite subtle, very graceful and equally functional. Plus, hidden wire management is built-in.

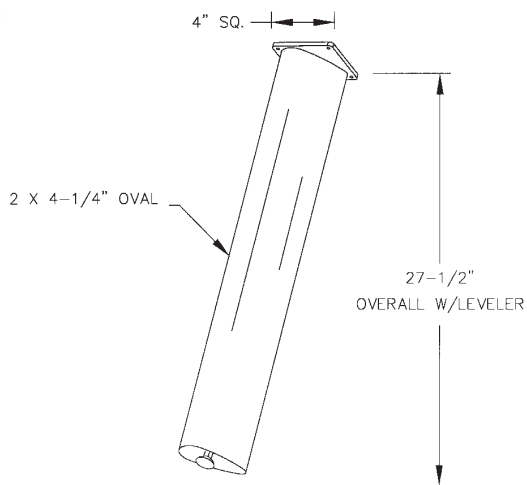
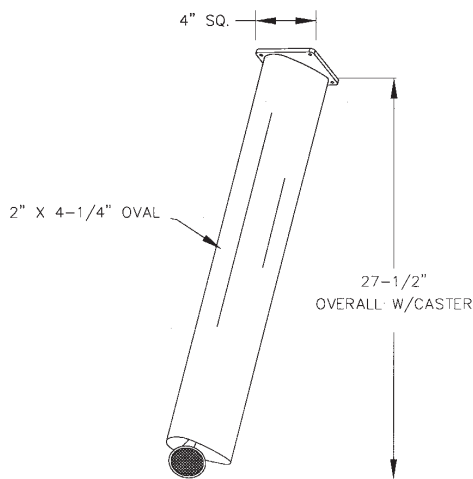
## "Zola" Series

Subtle tear-drop shape leg is extruded of aluminum, 2" by 4 1/4" profile; features a cut-out on top plate for wire access. Comes with either leveler or caster. Overall height is 27 1/2", top plate is 4" square.

Finishes: Anodized Natural (94), Anodized Smoke (92) and Matte Black (90).



TLRFZC-94



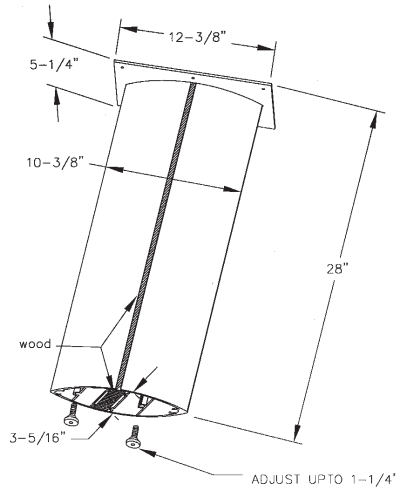
TLRFZR-94

## TLRFB - "Baldwin"

**DISCONTINUED**

An ideal executive desk table or peninsula leg, Baldwin is aluminum clad over wood with just a narrow stripe of wood showing vertically in the center of each side, and along the base. Very cool. One standard size, wood insert can be custom made to your specs.

Finish: Anodized Natural (94)



Front  
Shown in Metallic Silver

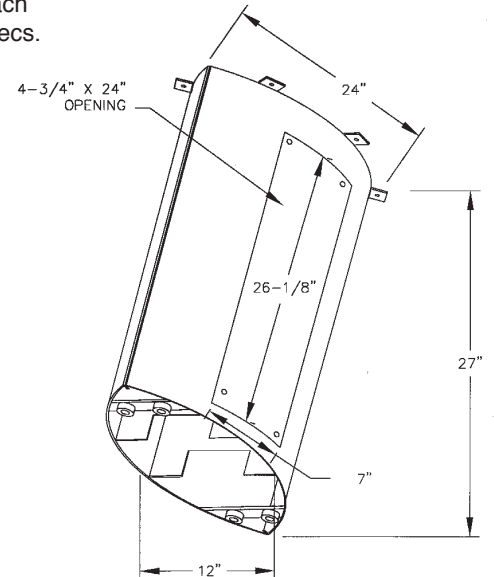
## TLRFBIG - "Big Boy"

They don't come much more massive than Big Boy! Usually about 24" long and 27" high and used for conference tables, it can come with removable panels to access wiring.

Made of 20 gauge steel, then lacquered. Each custom made and powder coated to your specs. Size: 27" high by any horizontal dimension.



Back



## TLRFA "Ariel" **DISCONTINUED**

Large tear-drop aluminum extrusion is 5" by 8" long; 28 1/8" high. Ariel has three built-in wire management channels covered by a clip-on, pop-off cover. Interesting juxtaposition of textures is created as the leg body is finished in textured and the pop-off wire access cover in smooth.

Finishes: Anodized Natural (94), Anodized Smoke (92) and Matte Black (90).



TLRFA - 90

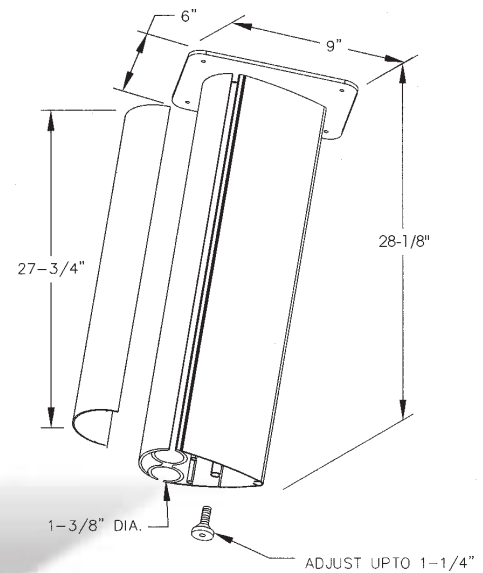


TLRFA - 92



TLRFA - 94

**DISCONTINUED**



## Cylinders & Cubes

Increasingly popular as stand-alone table or bases for custom tops, our cylinders and cubes are available in a wide variety of sizes and finishes. So stunning, so meticulously crafted and flawlessly finished, they belong in a museum. And they are. In fact, they are now being used to display some of the world's most valuable works of art - by The National Gallery of Art in Washington, DC and The Metropolitan Museum in New York.

Our cylinders and cubes can be ordered with a finished top, ready to complement any office or home. Or, if you prefer, without top, ready to accept your own design top. They are made of the highest quality 16-gauge steel, with levelers, and pre-drilled tabs for your top.

Diameters: Cylinder and Cube sides are 12" to 36" in even inch increments.

Height: Between 26" and 29" although we can make in any special height you may desire.

Standard finishes: Matte Black, Polished Stainless Steel (looks like chrome), Satin Stainless Steel, Antique Brass, English Antique, Polished Brass, Satin Brass, Polished Bronze and Satin Bronze. Custom finishes are available.

Note: For safety and stability, we highly recommend that all cylinders be properly weighted and leveled.



Polished Stainless Steel cylinder with tabs for mounting your own top.



## Parsons Table

The classic design of classic table designs. Now we've made a classic into a contemporary design, done in extruded Satin Aluminum instead of wood. And we will make it to your size.

It is shipped unassembled, ready for your own glass, marble or other top.

Tube size is 2" square by whatever height and length you wish. We can make any size – cocktail table, dining room/kitchen table, desk or computer table, etc.

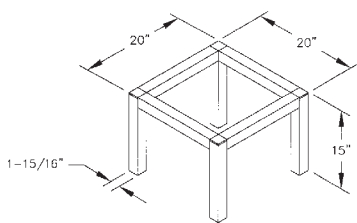
Assembly is easy: fasten the attachment plugs into the legs, align and fasten down the horizontal tubes, then place the finishing plugs in each corner and the glides (non-adjustable) into the legs. Allen wrench included.

Below are some illustrative designs and sizes:

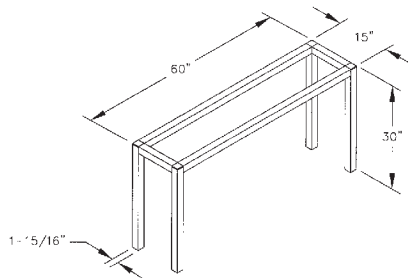
20" x 20" x 15" - cocktail table

60" x 15" x 30" - credenza/hall table

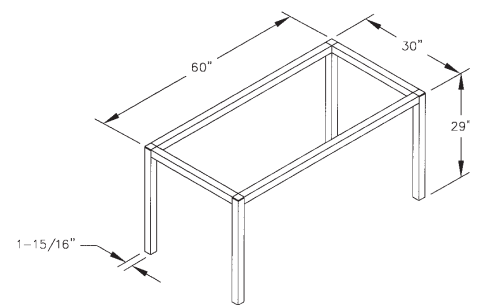
60" x 30" x 29" - dining table or desk



20" x 20" x 15" - cocktail table



60" x 15" x 30" - credenza/hall table



60" x 30" x 29" - dining table or desk

# Furniture Legs

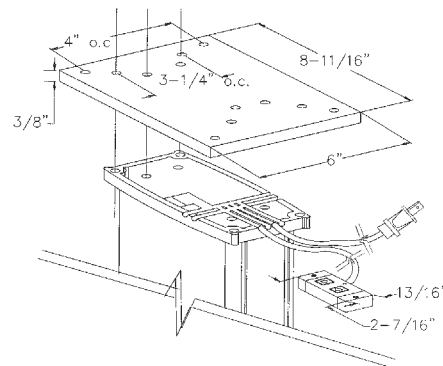
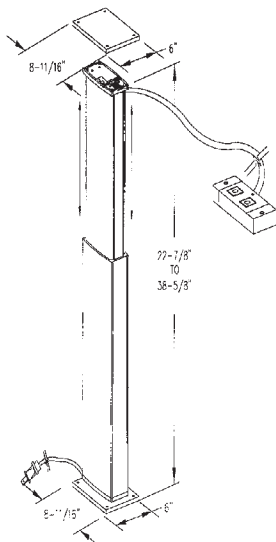


If you want adjustable, this is it. Period. Adjustable table legs provide workers with ergonomic benefits, as the user can change the height of his desk as it suits his mood or tired muscles, even his desire to work standing up instead of sitting down. And why not? Altering the desk height gives a whole new flexibility to furniture and a whole new perspective — the health of the person working behind the desk — and a healthy worker will be a more productive worker. Why shouldn't the furniture be a good part of the solution? We are proud to introduce the first in a series of electrically driven adjustable table legs. High quality, adjustable to the 1/16" of an inch, can be used in pairs or singly. A worm drive is inside telescoping legs, and goes up and down at your command. The fit of the legs to one another is extremely precise so there is no wobble.



## TLEL1

These are big, serious legs. You can use one leg for a lectern or stand-alone writing table, or use two of them for a desk or moveable work surface. The second one connects electronically to the first so they both move up and down together. If you use two of them, the desk/work surface can weigh up to 325 pounds; if using just one, it can weigh up to 250 lbs. Retracted height is 22 7/8" and with 15 3/4" vertical lift it can go up to 38 5/8" tall. The larger leg tube is 4 1/2" by 7 1/2" rectangular extruded aluminum with a satin finish. Raising and lowering is by a standard handy rocker switch that attaches to the desk. Optional switches include a foot pedal or a more sophisticated rocker switch with memory.



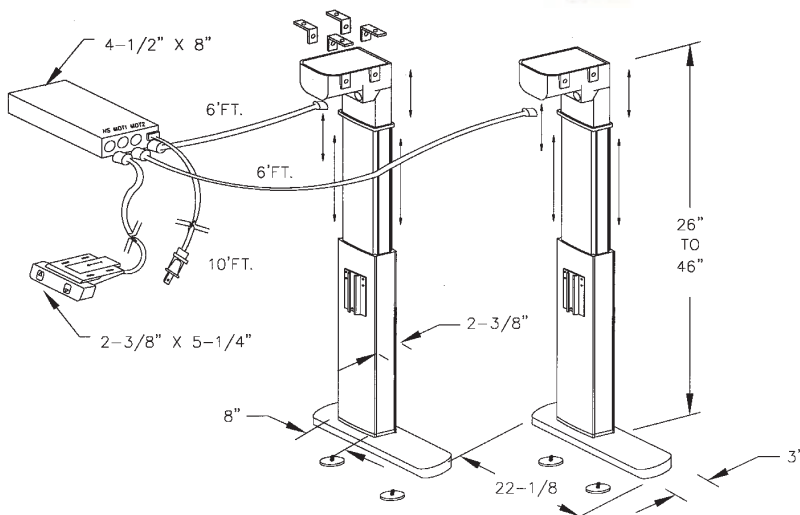


## TLEL2

Hallmarks of this leg are a slimmer design than TLEL1, but good lifting capacity plus the ability to daisy chain as many as four legs. Daisy chaining provides the opportunity to get creative. For example, you could have two separate but adjustable work surfaces, one for your work use and a higher one set back for a monitor, 26" retracted height and a 20" vertical lift (total height 46") will suit most every application. Each leg features a three stage telescope inside a modern, slimline design only 2 1/3" by 4 2/3". 225 lbs. lifting capacity per leg, 450 lbs. total. Note: lifting capacity of 2, 3 or 4 legs is still a maximum of 450 lbs. Each set of legs comes with control box, standard desk rocker switch and connecting cords. Specify if three or four legs, as they require different control units.

Finish: Anodized Aluminum

Comes with our own stylish base (shown), unless you prefer to mount to your own.



# La Carrera Panamericana 2002 - Victory at Last!

In 2000, with Alan Baillie navigating, we finished second overall, by the slimmest of margins, so it seemed 2001 was to be our year. Not to be – a broken clutch half way through put us far behind. We ended up fourth overall and third in class of 90 starters.

That did it. For 2002 we did our homework, started preparing early, and made sure no problems like before would bedevil us. When we arrived for the start October 25, we were ready! No more excuses.

The race was a dream. The car ran like a dream. We won outright 6 of the 7 days, including the last day when anyone with any sense, and the lead, slows down to protect that lead. Not us! Pedal to the metal all the way! We won by almost 5 minutes, 4:57 to be precise, a good margin.

La Carrera Panamericana is a 2,400 mile race/rally through Mexico, from the bottom to the top, that takes seven days of driving hard all day and partying hard all night. Not for the faint of heart or weak of constitution. The “modern” version is a somewhat tame re-creation of the original, a road race created to publicize the opening of the Pan American Highway joining the USA with Central America via Mexico. It ran from 1950 through 1954. The race became a huge international success, bringing factory teams from Ford, Lincoln, Ferrari, Porsche, Alfa Romeo, etc. It was also one of the last of the open-road races run in the world.

The contemporary version still runs along the Pan American Highway most of the way. Portions of the road are closed off and the cars do speed runs along the course. The winner has the best time; in all 7 days there are more than 35 speed stages, with average speeds ranging from 50 to 130 miles an hour! No one believes me, but – honest – portions of a six lane freeway are closed down so we can race along it at up to 170 mph – try that

in the USA! Where else can you be speeding through a town, come up against a red light at 80 mph, and have a cop hold back traffic so you can blast through? And be waving you on, along with a cheering throng! Try THAT in the USA!

It was a pleasure to win the 15<sup>th</sup> La Carrera Panamericana. We have nowhere to go, but we'll be back this Fall to try again. Alan and I are a couple of grey-haired old duffers, but we have a reputation to uphold now... plus we're giving some thought to changing the name of the car from “Olds en Nombre Solamente” (Olds in Name Only) to “Age and Cunning Will Always Beat Youth and Skill”...



# La Carrera Panamericana 2002 - Victory at Last!



To celebrate our 2002 Victory Hot Wheels® has created a commemorative replica of our Olds.



We've looked upon casters as we looked upon drawer pulls. There sure are a lot of them out there and 99.5% are pretty basic and dull. Not "bad", mind you, just dull. Continuing our quest for the best of the best, we've located a few fine examples of the remaining 00.05%. These are casters with a capital "C" - Bold. Strong. Contemporary. Unique. Casters finish off a table leg, table or cart really cleanly, really nicely. A wonderful added touch of sophistication combined with functionality. Now into our fifth year of offering them we have expanded our line considerably. I hope you like them all, old and new.

## CA33 with Plate

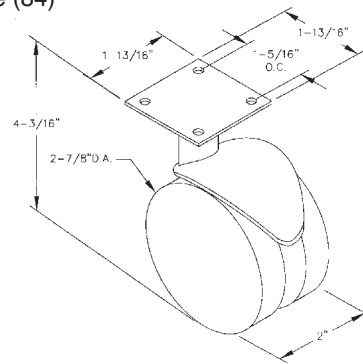
High quality real wood twin-wheeled caster sits beneath contemporary design mounting plate.

Finishes: Beech (87), Wenge (84)

Weight capacity: 30lbs each



CA33PA-87



CA33PA-84

## CA35

CA35 Series. Large, modern design caster features angled arm and is a good choice for larger scale furniture. It comes with stem or mounting plate. We offer a variety of hub cap inserts.

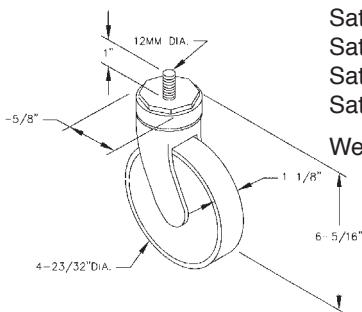
Finishes:

- Metallic Aluminum Base and Simulated Metallic Silver Wheel
- Metallic Aluminum Base and Grey Wheel
- Metallic Aluminum Base and Simulated Cherry Wheel
- Metallic Aluminum Base and Simulated Beech Wheel
- Metallic Aluminum Base and Black Wheel
- Satin Nickel Base and Simulated Metallic Silver Wheel
- Satin Nickel Base and Simulated Cherry Wheel
- Satin Nickel Base and Simulated Beech Wheel
- Satin Nickel Base and Black Wheel

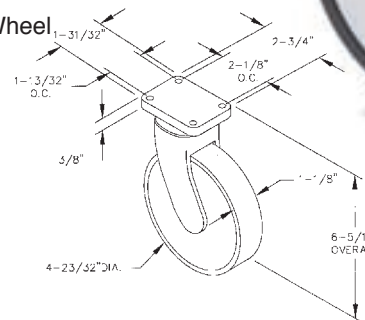
Weight capacity: 150lbs each



CA35 with stem



CA35 with plate



CA35SN-90



CA35SN-87



CA35SA-87



CA35SA-90



CA35PA-86



CA35PA-92



CA35PN-23



CA35PN-86



## CA3

Features beautiful wood or painted plastic center, with rubber tire. The wood is nicely dished in center. The plastic center is rounded and radiused, with rubber tire.. 4" overall with 2 1/2" wheel.

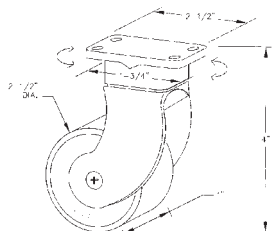
Finishes: Black base with Cherry (86), Maple (83) or Black (90) wheel. Aluminum base with Aluminum (23) or Maple wheel (83).

Weight capacity: 75 lbs. each



CA3SA-83

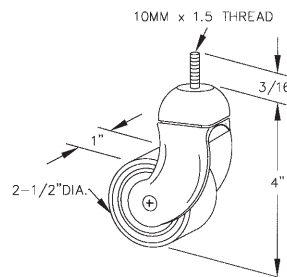
CA3 with plate



Black base with Cherry (86) wheel

Black base with Maple (83) wheel

Black base with Black (90) wheel



## CA5 & CA6 (with brake)

Medium size version of CA3 5" overall with 3 3/8" diameter wheel. With Plate or Stem.

Finishes: Black base with Cherry (86), Maple (83) or Black (90) wheel. Aluminum base with Aluminum (23) or Maple wheel (83).

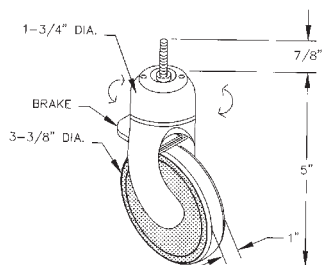
Weight capacity: 75 lbs. each



CA6 with plate and brake



Aluminum base with aluminum wheel

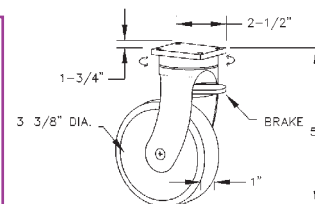


Aluminum base with Maple (83) wheel

Black base with Cherry (86) wheel

Black base with Maple (83) wheel

Black base with Black (90) wheel



## CA7 & CA8 (with brake)

Larger version of CA3, CA5 and CA6 is 7 1/4" overall with 5" wheel. With Plate or Stem (below).

Finishes: Black base with Cherry (86), Maple (83) or Black (90) wheel.  
Aluminum base with Aluminum (23) or Maple wheel (83).

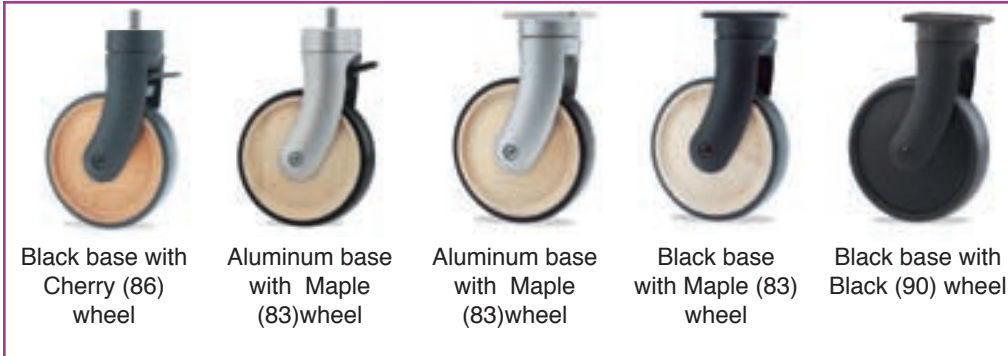
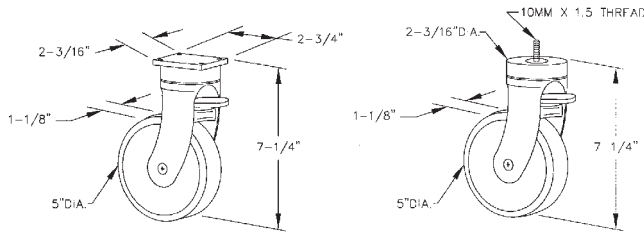
Weight capacity: 75 lbs. each



CA8 with stem



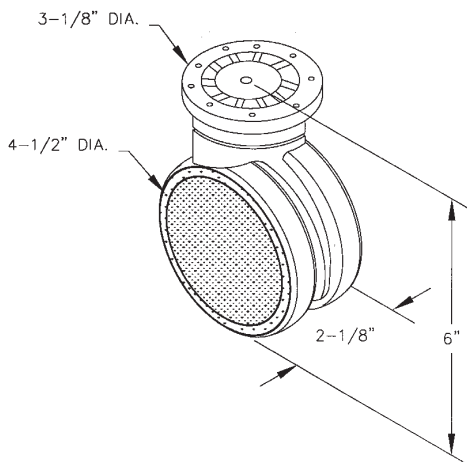
CA7PA-23



## CA13 with Plate

Finishes: Black base with Cherry (86), Maple (83) or Black (90) wheel.  
Aluminum base with Aluminum (23) or Maple wheel (83).

Weight capacity: 75 lbs. each



CA13PA-23

## CA14 with Brake



CA14 with plate

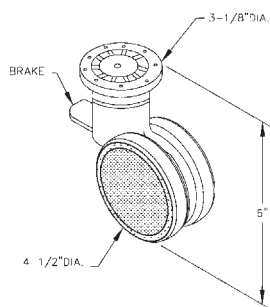
Big twin-wheeled caster for big furniture! 6" overall with 4 1/2" wheel. Wheels are recessed and radiused wood or plastic and just as fine quality as there can be. Mounting plate 3 1/8" round with 8 screw holes. One gorgeous caster!

Finishes: Black base with Maple (83) or Black (90) wheel.  
Aluminum base with Aluminum (23) or Maple (83) wheel.  
With plate or stem.

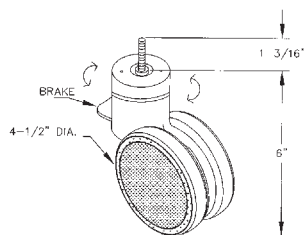
Weight capacity: 75 lbs. each



CA14 with stem



CA14 with Plate & Brake



CA14 with Stem



Aluminum base with Maple (83) wheel

Black base with Maple (83) wheel

Black base with Black (90) wheel



CA15 with stem

## CA15

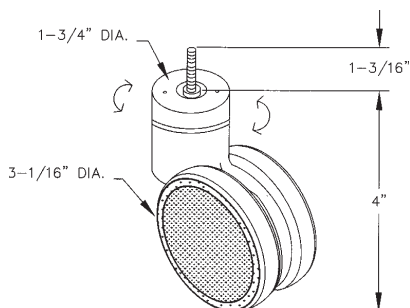
Smaller twin-wheeled brother of CA14. 3 15/16" overall with 3" diameter wheels. Mounting plate is 2 3/4" round with 8 screw holes.

Finishes: Black base with Maple (83) or Black (90) wheel.  
Aluminum base with Aluminum (23) or Maple (83) wheel.

Weight capacity: 75 lbs. each



CA15PA-2



3-1/16" DIA.

1-3/16"

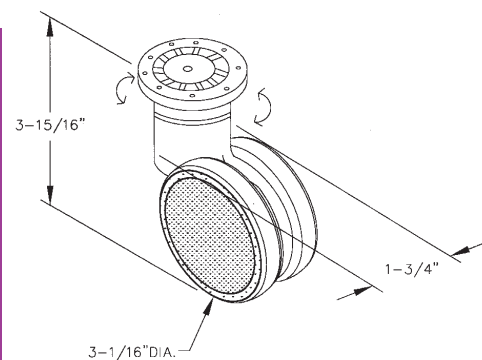
4"



Black base with Black wheel

Black base with Maple wheel

Aluminum base with Maple wheel



3-1/16" DIA.

## CA27

Very slick and hip. Base attaches to just one side so other side of wheel looks open and unsupported. Features single rubber tire on plastic wheel. Choice of stem or mounting plate.

Finish is Satin aluminum body, grey wheel with black tire.

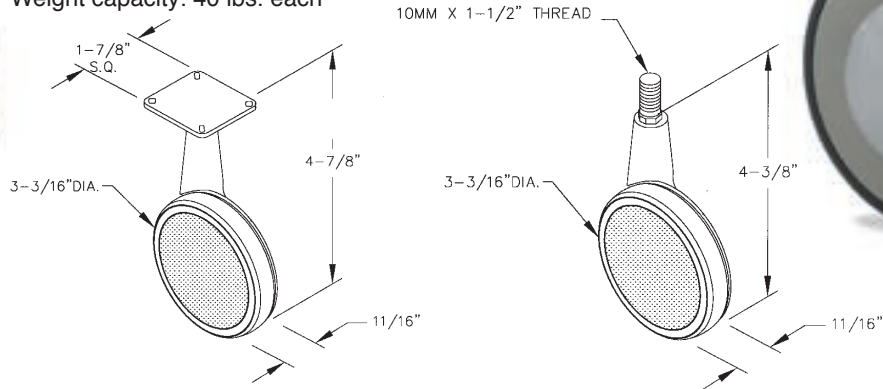
Weight capacity: 40 lbs. each



CA27 with plate



CA27 with stem



## CA29 & CA30 (with brake)

Twin wheel caster with satin body, grey tires and grey wheel inserts. Will enhance any design. Choice of stem or mounting plate. Satin with grey tires.

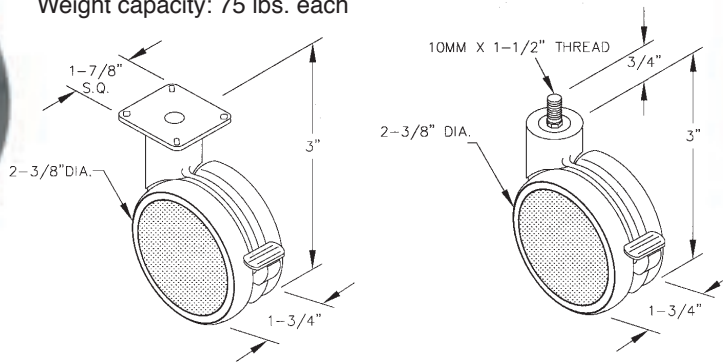
Weight capacity: 75 lbs. each



CA29 with plate



CA30 with stem



"Fitting is for hours."





## CA31 & 32 (with brake)

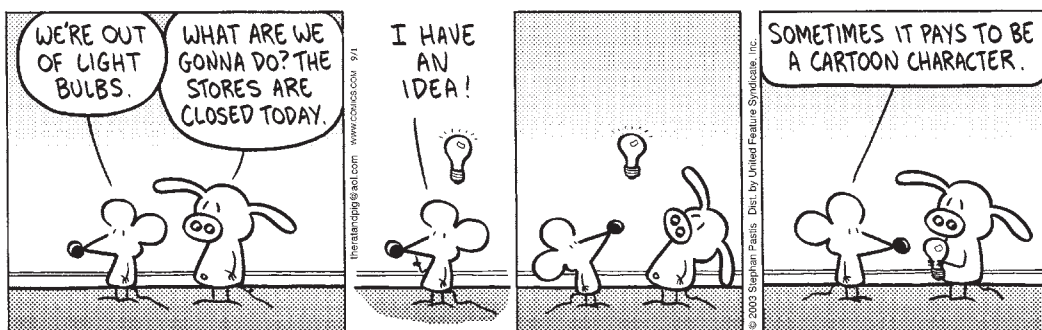
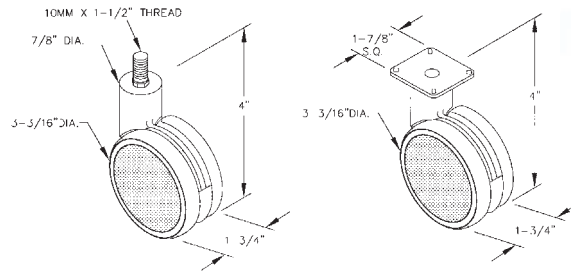
Twin wheel casters with plastic tires offered with metallic aluminum base and choice of grey or beech wood grain inserts, or black base with cherry or beech inserts to complement furniture. Stem or Plate mount

Weight capacity: 100 lbs. each



CA32 with plate

CA31 with stem (CA31PB-86)

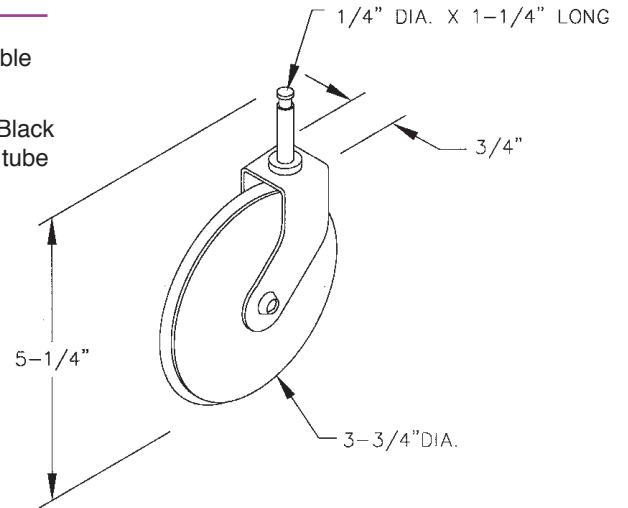


## CA21

Delicate caster design unlike any available until now! Features single rubber "tire".

Finish: Satin Aluminum (94) with Matte Black stem only. Specify either wood boss or tube boss with caster.

Weight capacity: 30 lbs. each.



## CA23 and CA24 (with brake)

An oversize caster for heavy duty use and available with brake (CA24) or without brake (CA23). Single rubber "tire".

Finish: Satin Aluminum (94) wheel with Matte Black body. With mounting plate.

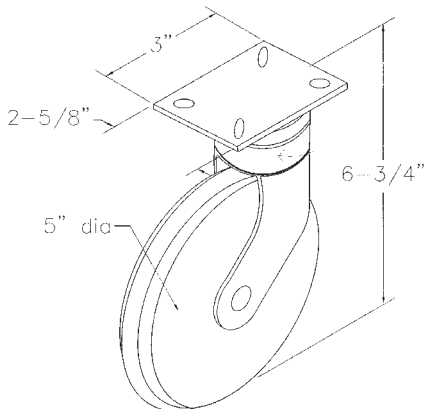
Weight capacity: 140 lbs. each.



CA24 with plate



CA23 with plate



## CA 37 & CA38 Big Casters

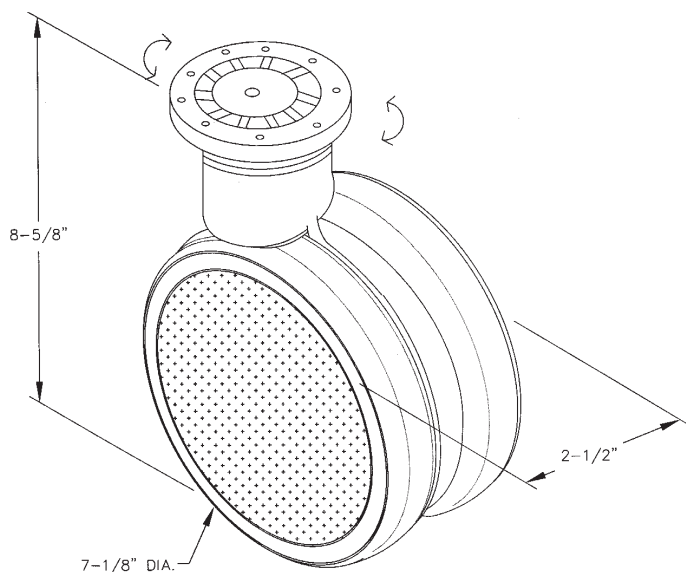
You want big casters, you got big casters. Not only are they big, they don't get any better looking than these. Ideal for outsize furniture, or when you want something other than "Li'l Legs", or when you just want to make a statement.

Overall height is 8 5/8", wheel is 7 1/8" diameter. 3 1/8" round top plate with eight screw holes.

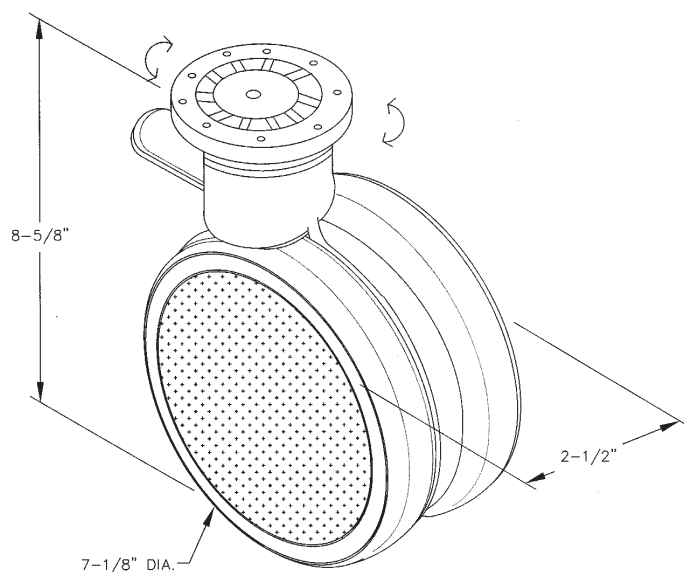
Weight capacity: 50 lbs. per caster

Wheel finish: Cherry, Beech, Polished Chrome.

Offered with brake (CA38) and without brake (CA37)



CA37



CA38

# Custom Components

## “Extreme” Custom Components

Whatzits to frammisses, metal or plastic, just give us a call...

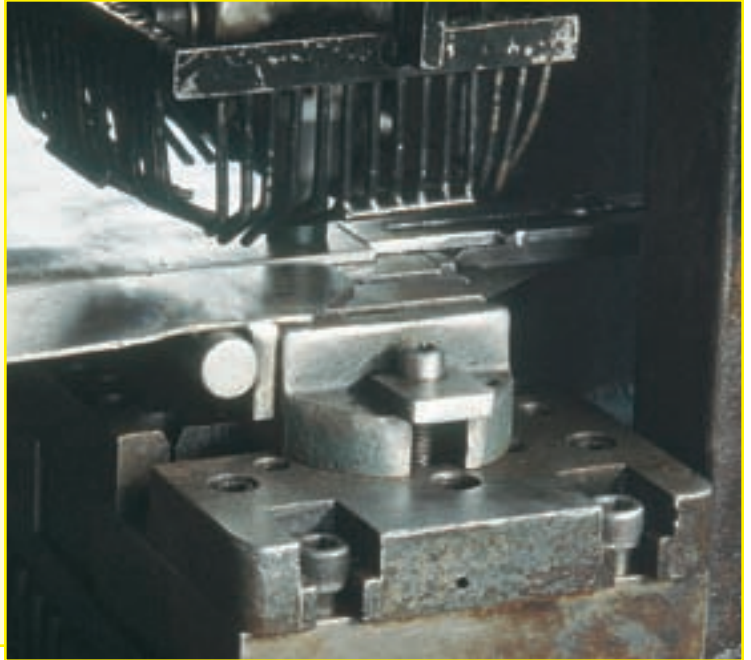
Say you need just one Frammis to fit into a Whatzit. Just call us. Over the past two decades, we've made them all.

Most of our custom work has been in metal fabrication. Special table bases. Custom cylinders. Artistic drawer pulls. Custom table legs... and so on. Just send a blueprint or fax a drawing. We can quote most any design in any quantity and usually deliver within 4 to 6 weeks.

We also do a lot of custom injection molding, vacuum molding and extrusion molding. We've made custom grommets, custom t-molding, custom co-extrusions and hundreds of bits and pieces. Nice part is, we have no minimum order. That way we can offer you the flexibility of placing just a small or trial order before committing to a major run and capital outlay.

Another advantage: If we decide to add your part to our line, there will be no tooling charge to you. We'll absorb it. With the cost of tooling today, many clients find this particularly attractive. Please call us with your next custom project at (800) 523-1269 or fax us the design at (800) 235-7743, or e-mail to [info@mockett.com](mailto:info@mockett.com).

We welcome the challenge!



# The next American driver in Formula One?

When we last left Paul Edwards early in 2001, he was headed for the Big Leagues. Alas, it was not to be. Paul's budget ran out before the season ended and he came back to California more than a little dejected. At age 23, after living on his own in Europe since age 17, his motor racing career appeared over. But wait! There's a good reason we're close to Hollywood and its off-the-wall magic.

A full year after Paul last sat in a race car, out-of-the-blue, the phone rang. It was Danny Sullivan calling. Yes, that Danny Sullivan — 1985 Indy 500 winner, Formula One veteran, TV commentator — asking if Paul would be interested in a fully paid drive in 2003 in a race series just below Formula One. Underwritten by Red Bull and worth a cool million dollars U.S. Serious money, serious deal.

Paul's reaction was swift and to the point. "No", he told Sullivan. "Motor racing is over for me, I've got to move on". Sullivan said he'd call back in 24 hours. Paul called me. "What have you done!?!", I said. Paul had a sleepless night. "What have I done!?!", he thought. Sullivan called back. Paul accepted. Only one small hitch. Red Bull was inviting 16 of the best young guns in America to duke it out in equal cars for four fully paid drives in 2003. Fastest four guys win, simple as that. The idea is that Red Bull believes in Formula One, believes that American drivers should be in Formula One, and has put its serious money where its mouth is.

Another small hitch. Our hero hadn't driven a race car in a year. So we bundled him off to Sears Point in our 27-year old historic Formula One Penske, and in no time he was back up to speed. Next, off to France and the Red Bull Driver Search shoot-out. Hollywood couldn't have created a better ending — Paul was the fastest of the fastest — and won a plum seat for 2003 racing in Europe, where all the Formula One teams can see him perform. We wish him all the best. With some success and a little luck, come the start of the next Formula One season you'll see Paul Edwards on the grid at the opening race in Melbourne, Australia. And you better believe I'll be there, too.



# Shelf Supports

Tacky, tacky, tacky. Just wander through any self-respecting hardware store for shelf support and what do you get? Tacky angle iron painted battleship grey. Great for the shop or garage, but how about for important places where style and design are important? That's why we have come up with these wonderful alternatives to angle irons. Unique designs and fine finishes. They add to your quality shelving, and don't look like a tacky afterthought. Enjoy these. We had a great time selecting them! Note: We recommend that all shelf brackets be mounted no more than 31" apart and into studs unless otherwise noted.

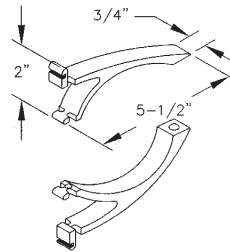


## SH14

These shelf brackets have a terrific advantage: Not only do they offer a dramatic alternative to traditional shelf brackets, they are adjustable to fit your thickness of shelf!

One bracket goes in facing up, its set screw tightened, the shelf goes on, the other bracket goes in facing down, and its set screw tightened. Easy to do and looks symmetrical and terrific! Bracket stands out 5 1/2" from standard and is suitable for shelves up to 12" deep. Load capacity: 6" shelf, 80lbs. 12" shelf, 50lbs.

Finish: Clear Anodized (94); custom finishes available.  
Tracks sold separately; see Standards on opposite page

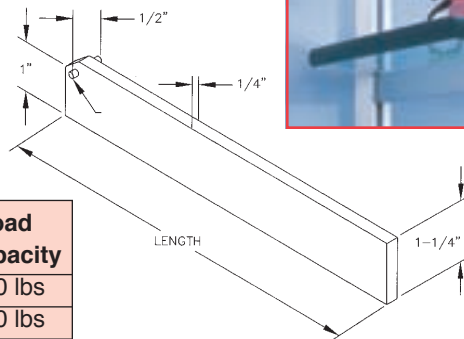


## SH15

Very slim, very contemporary, very sturdy brackets slide into track from top or bottom. When you locate where you want the shelf, just firmly pull bracket horizontal. It locks into place with a steel nub (see upper left corner of bracket) against the track. EZ to do and EZ to move should you want to change height. This ingenious locking mechanism is covered by U.S. Patent 3,865,337.

To better match your shelving needs we offer five different lengths of bracket: 8", 10", 12", 16" and 24". All are 1/4" wide and 1 1/4" high except the 24" model which is 2" high.

Finish: Clear Anodized (94); custom finishes available.  
Tracks sold separately; see Standards on opposite page.



	Length	Useable Length	* Load Capacity
SH15A	7-11/16"	7-1/4"	200 lbs
SH15B	9-11/16"	9-1/4"	170 lbs
SH15C	11-11/16"	11-1/4"	140 lbs
SH15D	15-11/16"	15-1/4"	110 lbs
** SH15E	23"	22-1/2"	110 lbs

\* For 2 brackets mounted at 24" to 30" apart

\*\* Height on SH15E is 2", not 1-1/4"



## SH16

A brilliant line extension to our SH14 and SH15, SH16 adds its own shelving system to the party. It uses the same choice of tracks as SH14 and SH15 and similar brackets. But these brackets are slightly different, having retaining pins at the end to hold the shelves in place. There are three different lengths of brackets and three widths of shelves. The shelves are extruded, ribbed aluminum with a nicely serrated finish on top. They're actually stronger than 3/4" veneer core plywood shelves. Using combinations of brackets and shelves, three different width shelves can be created:

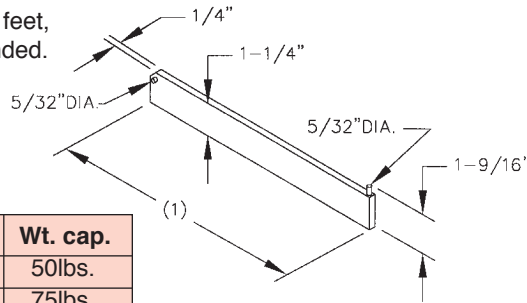
**SH16A:** Shortest bracket (7 11/16") uses two narrow shelves to make unit 8" deep

**SH16B:** Medium size bracket (9 11/16") uses one narrow and one wide shelf to make unit 10" deep

**SH16C:** Longest bracket (11 11/16") uses two wide shelves to make unit 12" deep  
Standard shelf lengths: 4' or 6'; custom lengths up to 12' available.

**NOTE:** If overall shelf will be wider than three feet, the use of a third mounting track is recommended.

Finish: Clear Anodized (94);  
custom finishes available.  
Tracks sold separately;  
see Standards below



	1	Wt. cap.
<b>SH16A</b>	7-11/16"	50lbs.
<b>SH16B</b>	9-11/16"	75lbs.
<b>SH16C</b>	11-11/16"	90lbs.



## Tracks SHTRC, SHTRM

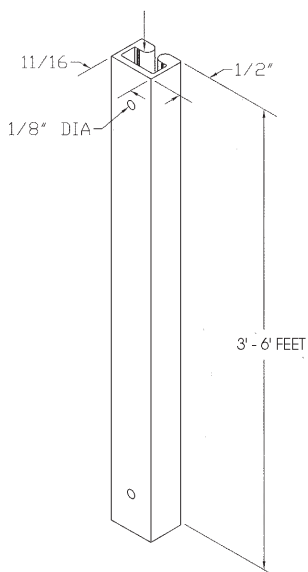
Our exciting system of wall tracks features two choices of tracks and can be used with SH14, SH15 and SH16.

**Model A** - Can be surface mounted or flush mounted into a slot 11/16" wide by 1/2" deep. 3' or 6' long.

**Model B** - Is 1 3/4" wide and surface mounted but its tapered side walls give a lowline integrated appearance. 3' or 6' long.

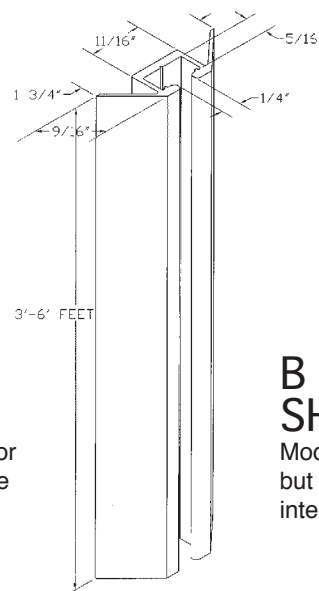
Both have a clean and unobstructed channel to positively lock the brackets.

Finish: Clear Anodized (94); custom finishes available.



### A SHTRC

Model "A" can be surface mounted or flush mounted into a slot 11/16" wide by 1/2" deep. 3' or 6' long.



### B SHTRM

Model "B" is surface mounted, 1 3/4" wide, but its tapered side walls help give a slim, integrated appearance. 3' or 6' long.

# Shelf Supports

## SH9



A wonderful name, "Ellen's Brackets". Mysterious. Whimsical. Ellen's Brackets are the hottest shelf bracket design to come along in many a year, maybe forever. That good. They come in two styles, vertical or horizontal. In the vertical configuration, tracks are screwed to the wall and the brackets slid over the top of the track and positioned where you want them; then held in place on the track by inserting a stainless steel pin through track and bracket as shown. The **vertical** set comes with two tracks, each 57" long, and 8 brackets to make 4 shelves. Holes every 1 1/2" in the track allow adequate vertical separation of shelves. The **horizontal** set comes with one 60" long track 3 7/16" high, and 4 brackets to make one distinctive long shelf. The brackets slip on from either end, so they are held securely in place. And the design of the bracket itself is just the most exquisite design ever! Well thought out in structure, even better thought out in execution!

Extruded of good quality 6105-T6 aluminum. It has an opening for a shelf of wood, glass, etc. The shelf rests on the bottom of the bracket and tension on the top holds it in place.

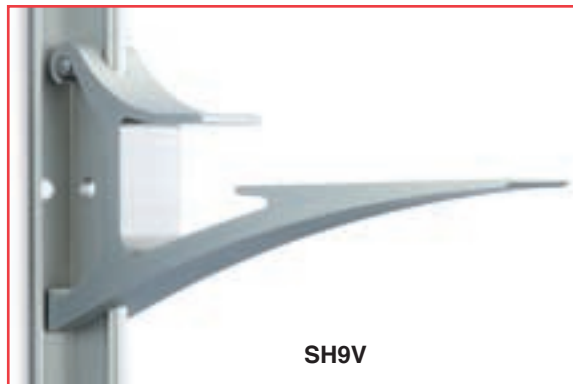
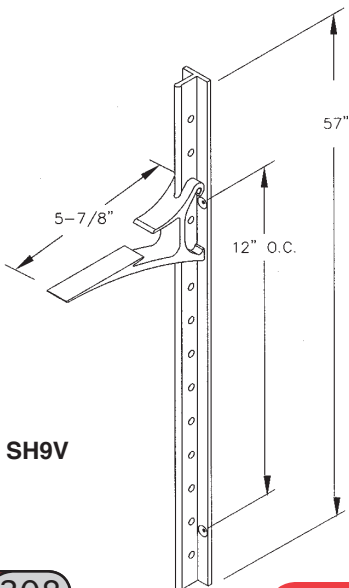
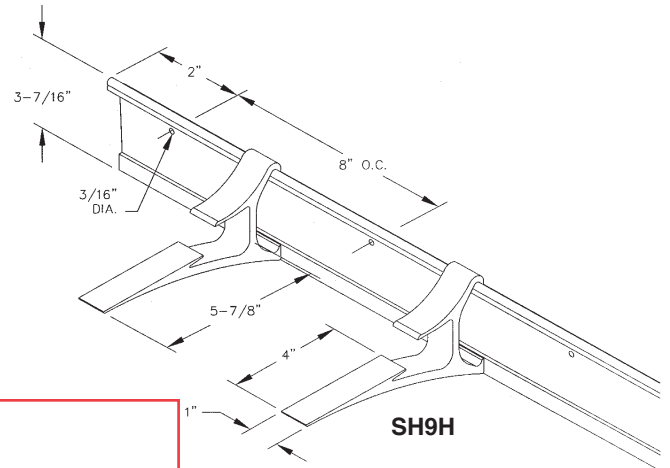
In either mode, maximum suggested depth of shelf is 10". In vertical mode, we suggest the tracks be 2' apart and the shelves be between 2' 6" and 3' 4" wide.

**SH9V** (shown top left) consists of two tracks and 8 brackets to make 4 shelves. 3/4" opening on bracket.

**SH9H** (shown bottom left) consists of one track and 4 brackets to make one long shelf. 3/4" opening on bracket.

Finish: Satin Aluminum (94).

Weight capacity: 25 lbs. per bracket.

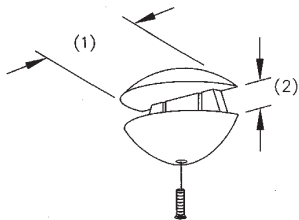




## SH7 & SH7A

Sometimes we just don't get it. We decided not to offer this shelf support, but somehow it ended up in our display at NEOCON. You can guess the rest - many of our other shelf supports were ignored and visitors went nuts over this one. We affectionately call this "hamburguesa", Spanish for hamburger, as it looks like half a quarter pounder. Wonderful curved radii top and bottom, fine satin finish. Nice piece. Each face has plastic pad for protection.

Finishes: Satin Nickel (17), Metallic Silver (23), Matte Black (90).  
Weight capacity: 20 lbs.



	1	2	Projects
SH7	2-7/8"	1/4" to 5/8"	1-1/2"
SH7A	1-9/16"	3/16" to 7/16"	13/16"



## SH10 **DISCONTINUED**

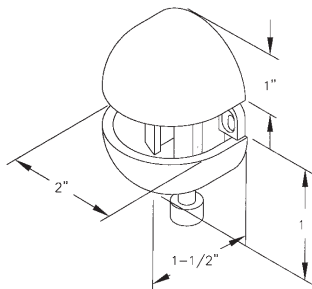
A delightful support for holding lightweight shelving. Opens to a maximum of 3/8", is 2" wide and protrudes 1 1/2" from the wall.

Finishes: Black (90), White (95), Grey (92).

Weight capacity: 7 lbs. each.

Recommend mounting no more than 12" apart.

Maximum shelf thickness 1/4".



# Shelf Supports

## SH18

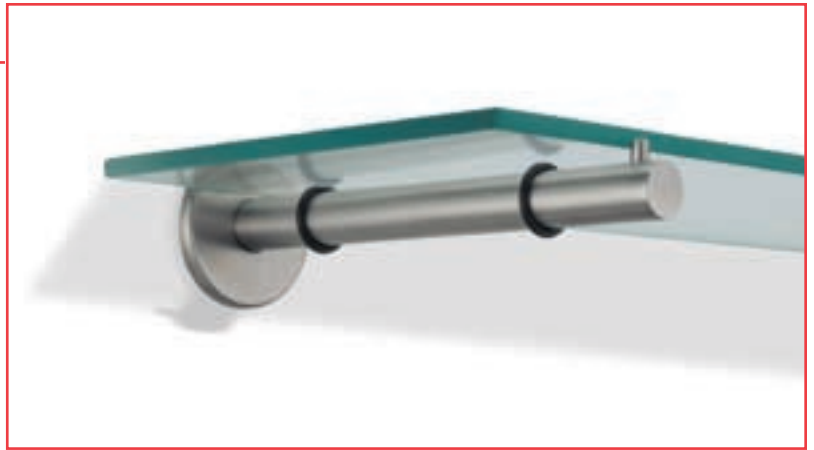
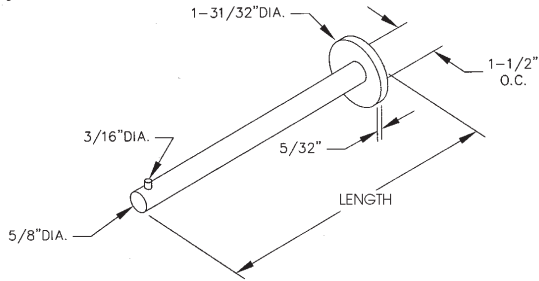
Plain rod extends from mounting plate with cover. Has retaining pin to hold shelf in place. Two sizes. Screws included.

**SH18A** - Length = 6 17/32" for shelf up to 5 7/8" deep

**SH18B** - Length = 8 1/2" for shelf up to 7 7/8" deep

Finish: Satin Stainless Steel (SSS)

Weight capacity: 20 lbs. each.

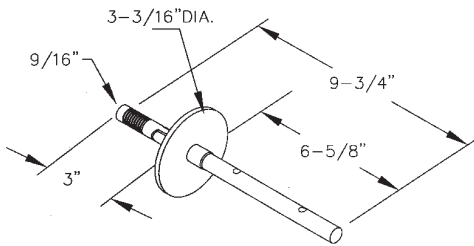


## SH6 **DISCONTINUED**

All you see is the disc after rod is sunk into shelf. Also available with rod cover so shelf can sit atop rod. Overall: 3 3/16" disc with rod 3" into wall and 6 5/8" into shelf. Minimum shelf thickness 1 1/4". Must be mounted into wall stud

Finishes: Disc - Glossy Black (90G), High Gloss White (95), Metallic Silver (23), Custom. **SH6A** Rod cover - Glossy Black (90G), High Gloss White (95).

Weight capacity: 20 lbs. each.  
Maximum shelf depth 7".

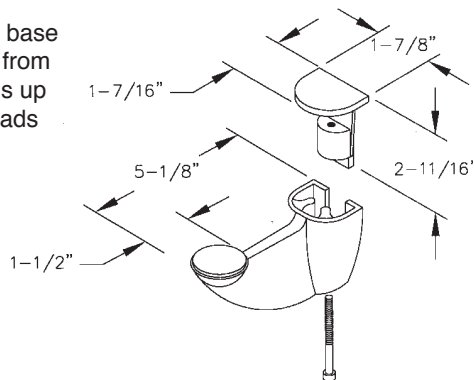


## SH8

When you want a massive, masculine shelf bracket to stand out, to appear almost aggressive, this is it. It's 1 7/8" wide at base radiusing into an arm protruding 5 1/8" from the wall and closed is 3 1/4" tall. Opens up to 1", for glass or wood shelving, has pads for protection.

Finishes: Metallic Silver (23), Polished Aluminum (100), Matte Black (90), Custom.

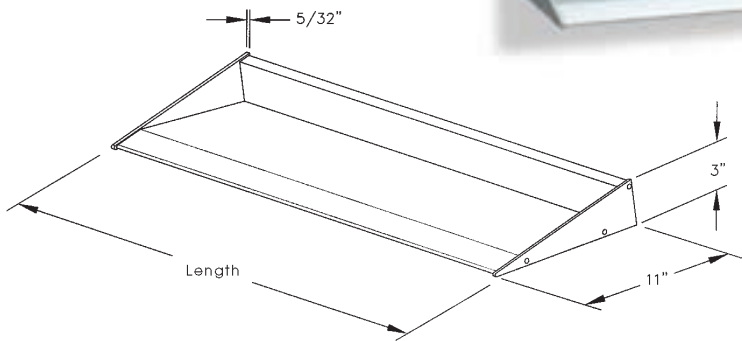
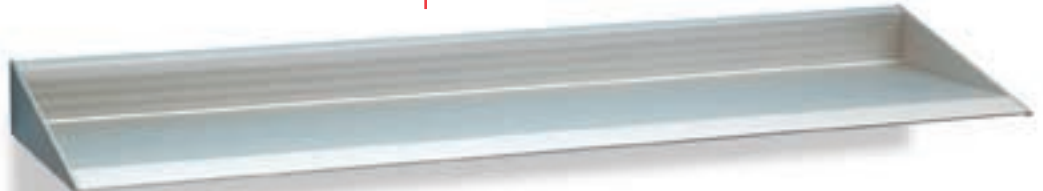
Weight capacity: 30 lbs. each.  
Maximum shelf depth 7".



## SH20 Epomeo Shelf

Shelves do not get any more hip than this one! Concealed mounting system allows shelf to be stand-alone art piece or even a functional shelf. Extruded of one piece of satin-finished aluminum with attractive mild serrations for texture. Note leading edge slants down just a hint. What a design!

Size is: 11" deep by 3" high at back. Five stock lengths.



	Length	Wt. Capacity
SH20A	39-3/8"	35lbs.
SH20B	59"	37lbs.
SH20C	78"	40lbs.
SH20D	98-3/8"	45lbs.
SH20E	118-1/8"	50lbs.



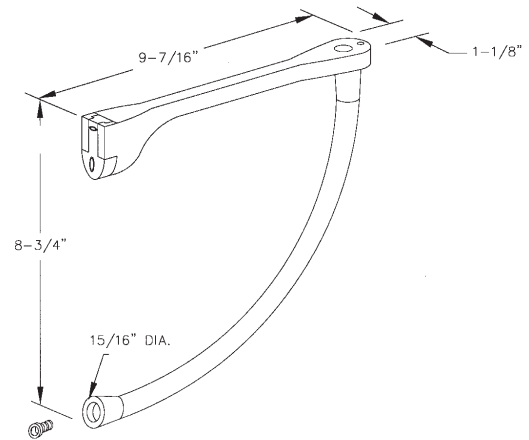
# Shelf Supports



## SH11

An improved version of our SH1 (page 215), this bracket is larger and sturdier and offers a more sophisticated design. Very elegant. Plus, it has a leveling device should the wall not be straight. Holds up to 160 lbs using two brackets mounted 36" apart. Maximum 12" shelf.

Available in: Satin Nickel (17), Matte Silver (23) and Polished Chrome (26).  
Weight capacity: 160 lbs.

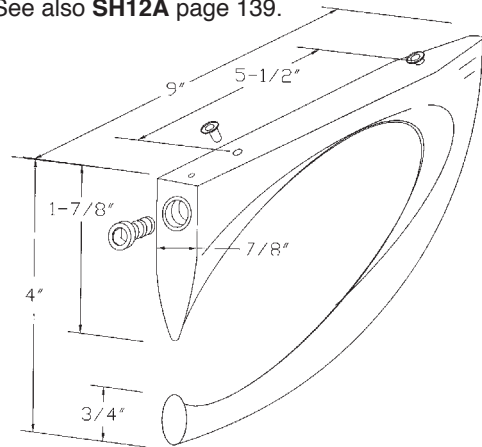


## SH12 "Galaxy"

Clean and smooth lines lead to the name "Galaxy"; well-named, we think you'll agree. Features clear "rubber" bumpers to hold shelf off metal bracket. Same load bearing as SH11. Maximum 11" shelf.

Available in: Satin Nickel (17) and Matte Chrome (26M).

See also **SH12A** page 139.



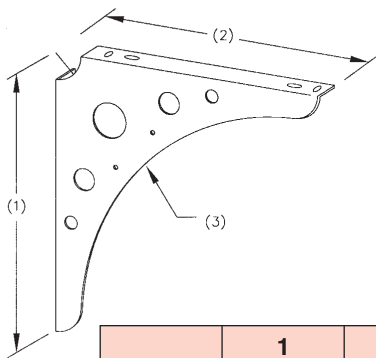
## SH13

Sheet steel stamped and bent to shape, then drilled with a decorative perforated pattern. Symmetrical design allows one version to be used on left or right end of shelf. Design offers myriad applications, such as mounting vertically for bookshelves, or one on top and one on bottom for a unique bookshelf appearance, or horizontally to hold a small corner shelf! Matches our new SWS1 Work Surface Support, use them together!

Load capacity is 125lbs for two brackets mounted 36" apart. Maximum shelf depth is 13".

Finishes: Matte Black (90), Metallic Silver (23), Glossy White (95), or any custom finish you desire.

Two sizes.



	1	2	3
<b>SH13A</b>	7-7/8"	7-7/8"	5-11/16"
<b>SH13B</b>	11-3/4"	11-3/4"	5-5/16"



## SC2

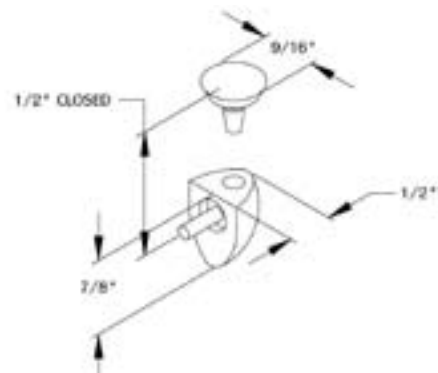
Tired of those cheesy bent metal clip shelf supports? SC2 goes to the next level of design and function. It's a little quarter-egg-shape with a soft rubber pad on top to hold and cushion glass shelves. Goes into standard 5mm hole.

Available in: Satin Nickel (17S), and Matte Chrome (26M).

Weight Capacity: 15 lb total capacity when using 4 pcs.

Maximum shelf size 12" x 24."

For interior cabinet use only.



# Shelf Supports



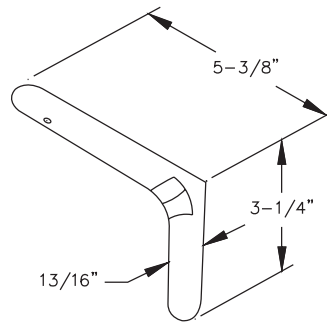
## SH3 & 4 **DISCONTINUED**

The L-shape is familiar but this one has the design and quality you seek. SH3 and SH4 are the same design, in two sizes, smaller **SH3** 13/16" wide by 3 1/4" high extending 5 3/8", larger **SH4** is 1 1/2" wide by 6 1/4" high extending 9 1/4".

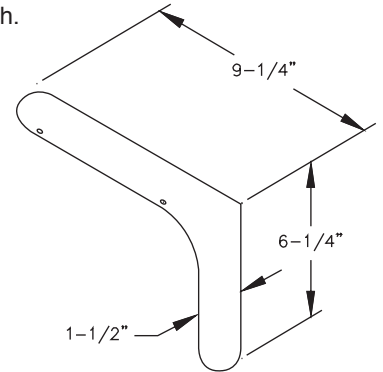
Finishes: Matte Black (90), High Gloss White (95), Marbled Grey (92M) (SH4 only), Custom.

Weight capacity: SH3 25 lbs. each.

Weight capacity: SH4 35 lbs. each.



SH3



SH4

	Weight Cap.	Max. Shelf Width
<b>SH3</b>	25lbs.	7"
<b>SH4</b>	35lbs.	12"

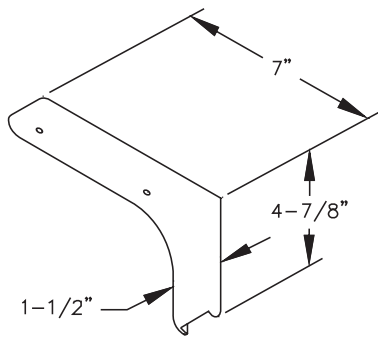
## SH5

Another L-shaped shelf support. This one is flatter for even more visual impact, 1 1/2" wide by 4 7/8" high extending 7".

Finishes: Matte Black (90), High Gloss White (95), Custom.

Weight capacity: 35 lbs. each.

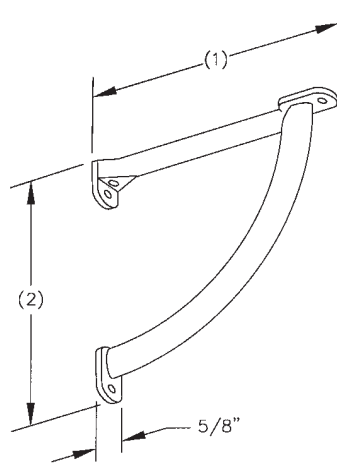
Max. shelf width 9"



## SH1

This arc can be mounted above or below the shelf for a great look. Now comes in two sizes, larger SH1 is 7" wide by 7 7/16" high, smaller SH1A is 4 11/16" wide by 5 3/16" high.

Finishes: Matte Black (90), High Gloss White (95), Metallic Silver (23), Custom.  
Weight capacity: 20 lbs. for either.



	1	2
SH1	7"	7-7/16"
SH1A	4-11/16"	5-3/16"



	Weight Cap.	Max. Shelf Width
SH1	20lbs.	9"
SH1A	20lbs.	6"



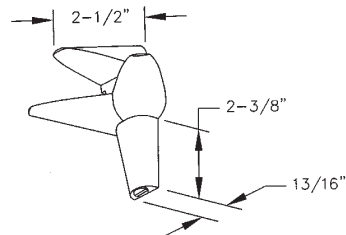
## SH2

**DISCONTINUED**

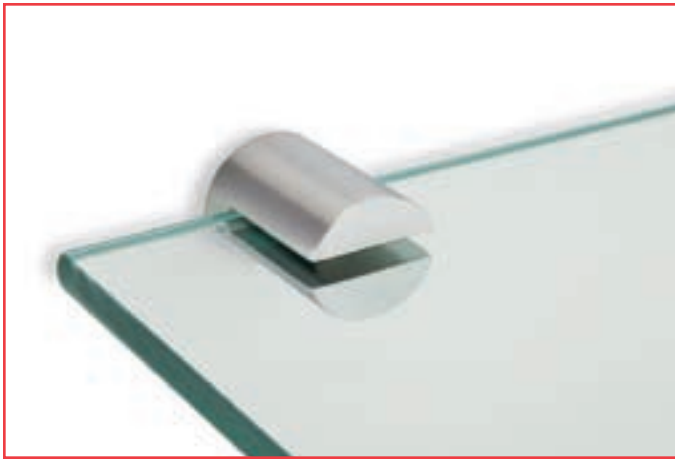
Very high style shows your discriminating taste and adds a distinguished look to office or home environment. Will accommodate glass or wood shelving. Size: 3 1/2" high by 2 1/2" deep. Opens to 5/8".

Finishes: Matte Black (90), Marbled Grey (92M), Polished Chrome (26), Satin Chrome (26D), Polished Brass (3) and Custom.

Weight capacity: 20 lbs. each.  
Maximum shelf width 5".



# Shelf Supports



## SH17

Machined from solid stainless steel and finished in satin, two sizes of a plain barrel-shaped shelf support. Simplicity equals elegance. Larger can accommodate shelves up to 15/32" thick, smaller to 11/32". Both have nylon-tipped set screw on bottom.

SH17 - Large  
SH17A - Small

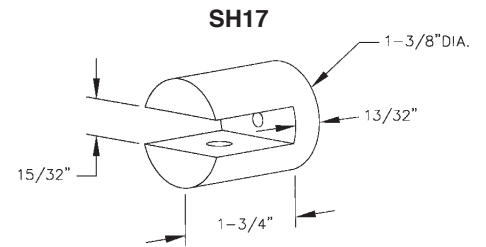
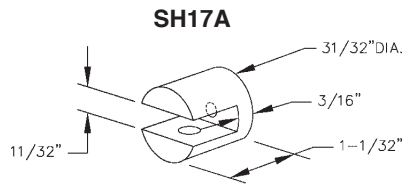
Finish: Satin Stainless Steel (SSS)

Weight capacity: SH17A 5 lbs. each. Max. shelf width 2 1/2"

Weight capacity: SH17 10 lbs. each. Max. shelf width 5"

Recommend mounting no more than 6" apart.

Sold in sets of 2.



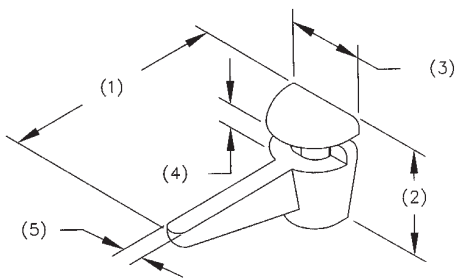
## SH19

Sophisticated shape adds elegance to any shelf! Plastic pad top and bottom to protect glass or other shelving material. Fit shelves to 1 1/4" thick.

Two finishes, Satin Nickel (17) and Metallic Silver (23).

Weight capacity: SH19 30 lbs. each, Max. Shelf width 9"

Recommend mounting no more than 20" apart.



	1	2	3	4	5
SH19	7-1/8"	3-1/4"	2-13/16"	3/4"	21/32"



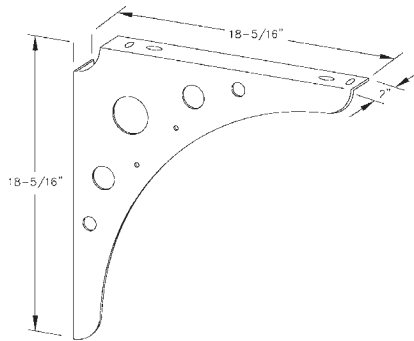
**W**e're now bringing some sense of style to mundane supports for a work surface. And why not? Just because you are putting a work surface against a wall doesn't mean it has to look grey and dull. Let the work surface support help the overall design concept! I designed a couple of supports for work surfaces we think look terrific. Actually, the inspiration came from my favorite shelf support, SH13. It's the one with the holes on the sides.

I thought that looked pretty good. So we made it larger for a work surface support and that got me to thinking about some other designs beyond grey angle iron. Here they are:

## SWS1

Decorated with a series of different size perforated circles, this is a simple design that complements all styles of modern furniture. Will especially enhance any computer user's desk! Made of stamped steel and available in lefts and rights. A pair will support 400 pounds. Maximum shelf width 24".

Finishes: Matte Black (90) and Metallic Silver (23) as standard finishes, Camara Grey or Crystalite Chrome as optional custom finishes, or any custom finish you want.

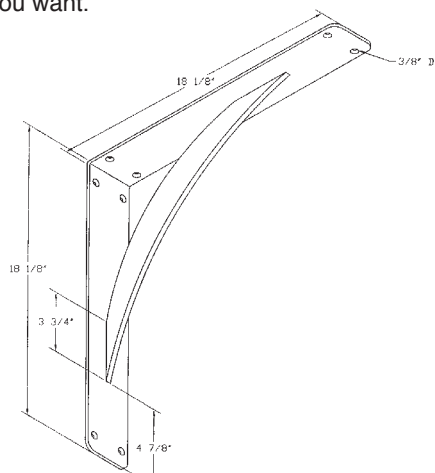


## SWS2

Designed by Doug Mockett

A simple arc defines this support, lending strength as well as design integrity. Universal design is ideal for all styles of furniture from traditional to contemporary. A pair will support 400 pounds. Maximum shelf width 24".

Finishes: Matte Black (90) and Metallic Silver (23) as standard finishes, Camara Grey or Crystalite Chrome as optional custom finishes, or any custom finish you want.



# Work Surface Supports



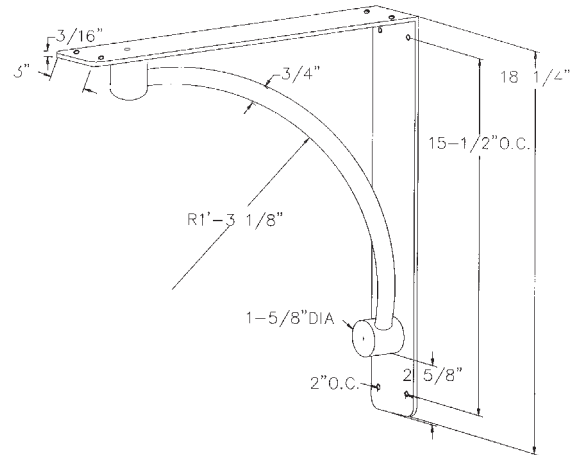
## SWS3

Designed by Doug Mockett

Discordant elements of curved rod joining square L-bracket harmonize to create one very good looking work surface support. Though it could be used with any style, traditional furniture would seem to suit it best.

Elements can be finished separately for very elegant end result; for example, the L bracket could be painted Matte Black and the rod elements plated in a Satin Chrome. Voila! Will support 95 pounds per bracket. Maximum shelf width 24".

Standard finish: Matte Black (90) or Metallic Silver (23), any custom finish available.

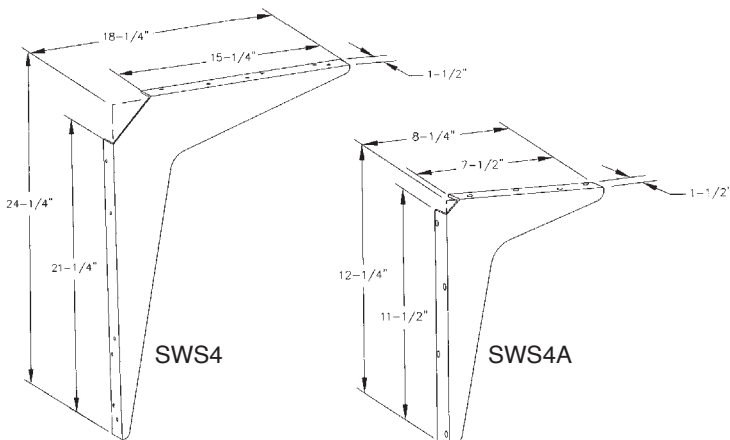


## SWS4

Stamped metal and simple design equals inexpensive manufacturing equals lower prices than those SWS models above. Different length elements mean you can use them either way. 400 pound capacity per pair. Maximum shelf width 24". Two sizes, **SWS4** is the larger, 18 1/4" x 24 1/4", to use as work surface support; **SWS4A** is the smaller, 8 1/4" x 12 1/4", for use as seating support or heavy duty shelving support.

Both of 1/8" thick steel with 1/4" mounting holes.

Finish: Black (90), White (95), and Grey (92) crinkle powder coat.



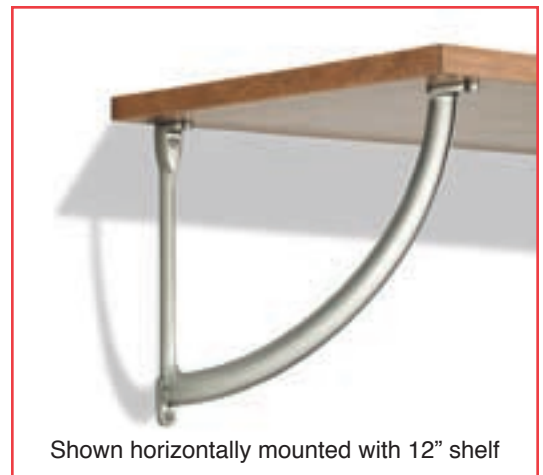
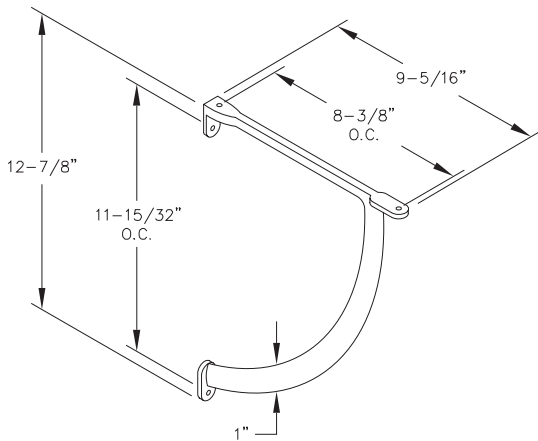
## SWS5

Larger size of our shelf support SH1 and designed either for wider shelves or light duty work surfaces and counters. Can be mounted in two ways: to suit 10" deep, 13" deep shelves or 24" deep light duty work surfaces.

SWS5 is perfect for a counter or light duty work surface up to 24" wide, for example, like a writing table or a lunch counter, or shelves in an elegant closet.

Two materials, some cast in aluminum, others in solid brass.

Aluminum Finishes: Matte Nickel (17M), Metallic Silver (23), Satin Nickel (17S) shown to the right, Polished Chrome (26), Polished Brass (3).



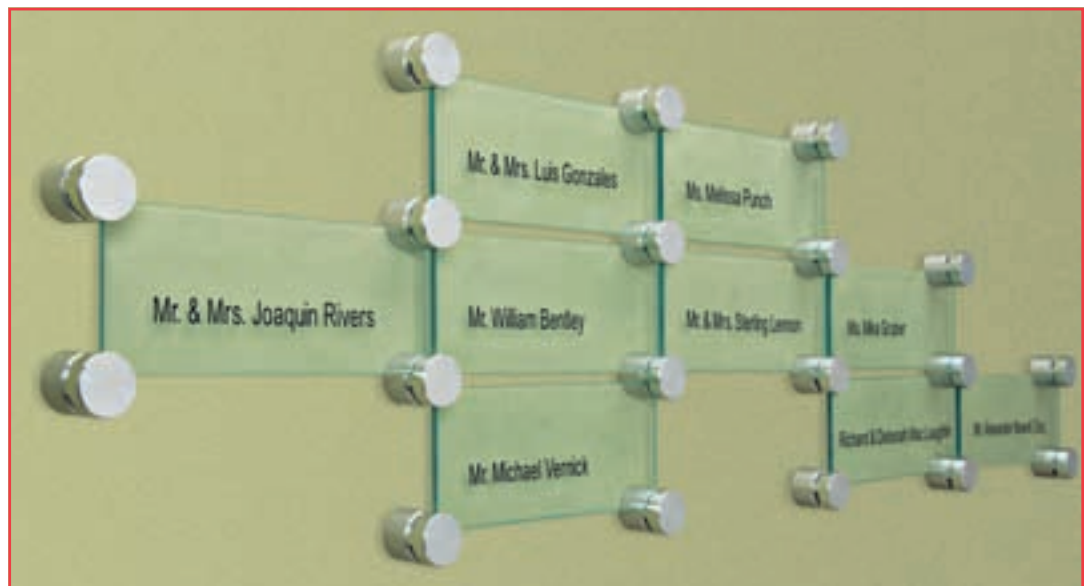
# Multi-Purpose Support Hangers

## Multi-Purpose Support Hangers, often called “Stand Offs”

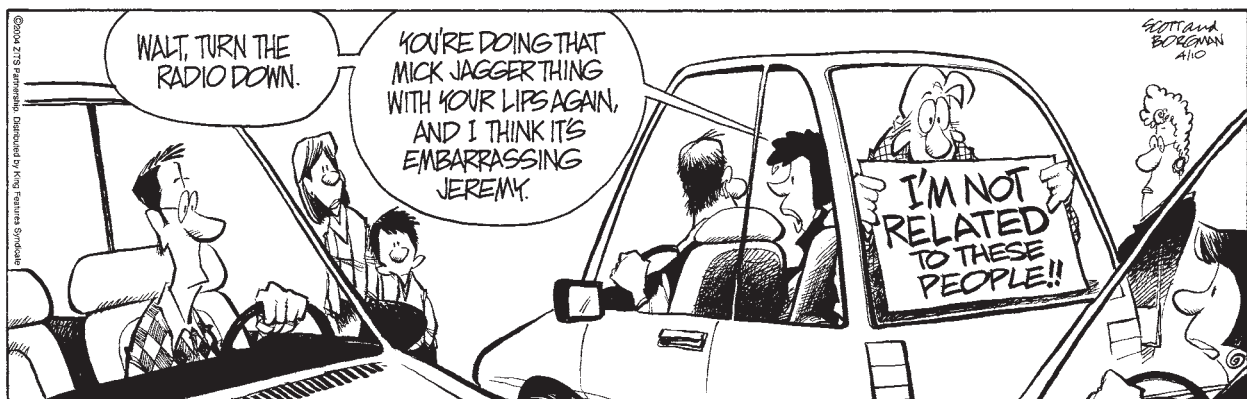
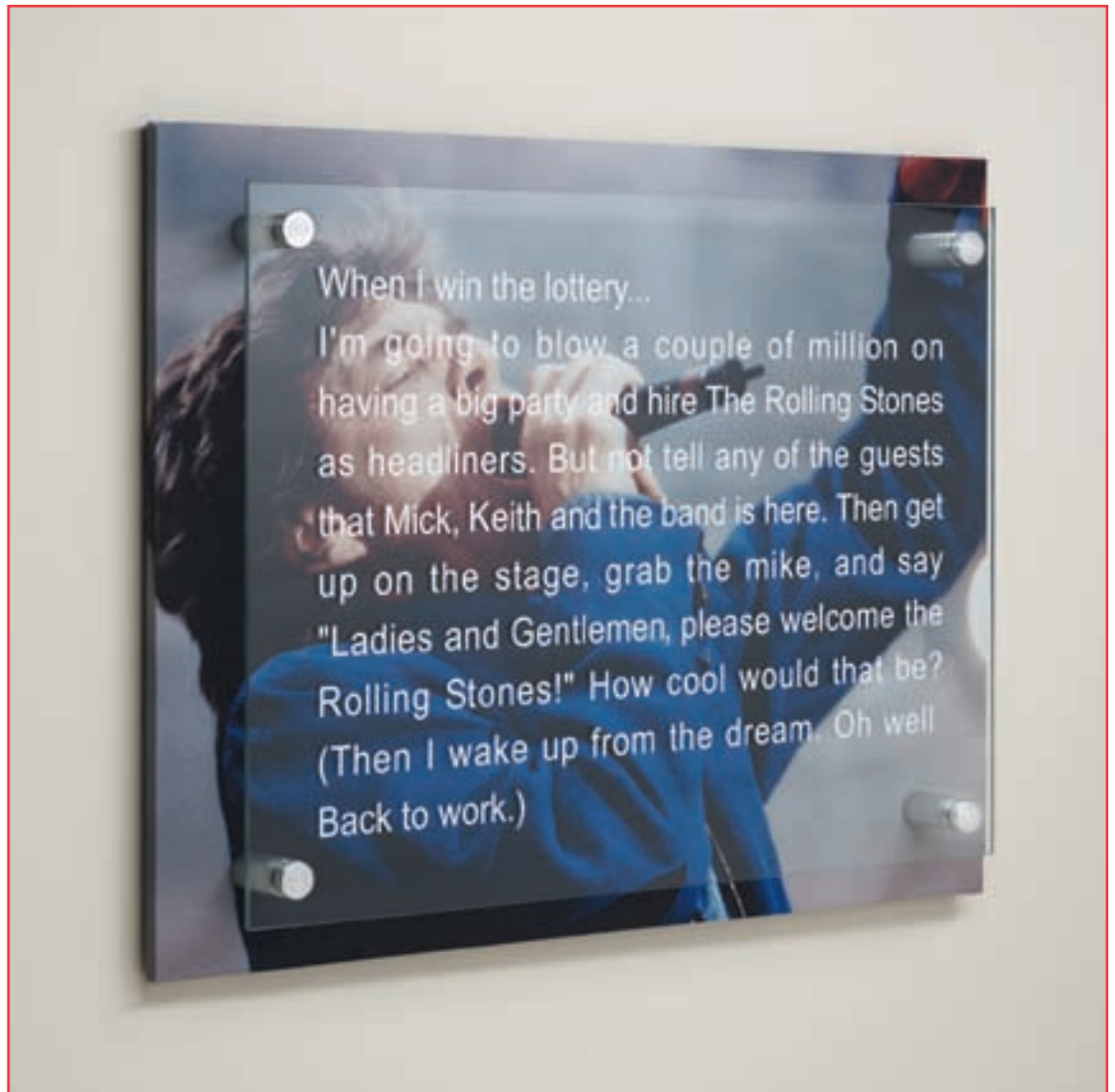
If you want to raise a shelf above a desk, hang a modesty panel below one, create display boards with raised panels, then our series of MPB's, as we call them, “Stand Offs” as others call them, are right up your creative alley. Whatever you call them, they'll solve many of your problems.

In addition to our Original Series of plated steel MPB's we are pleased to introduce a brand new series of stand-offs in a variety of sizes and configurations. These are made of aluminum rod, then anodized. I think you will like them.

Original Series – are all made from 1 1/4” diameter steel (except MPB4 which is 3/4” diameter), then plated in a nice satin called Crystallite Chrome. Note: Just about any custom length, diameter or finish can be done. Just send us your idea.



# Multi-Purpose Support Hangers



## HARDWARE SELECTION GUIDE

			MPB8	MPB9	MPB10	MPB11
		Barrel Diameter				
			7/8" Ø	1" Ø	1 1/4" Ø	1 1/2" Ø
A) Cap	Cap	3/8"THICK	MPB8/CAP1-94	MPB9/CAP1-94		
		1/2"THICK			MPB10/CAP1-94	MPB11/CAP1-94

B) Cap to Barrel connector screw (set screws)-included in price except for (*).	Set Screw Length	1/2" set screw	MPB-HD-S16	MPB-HD-S16	MPB-HD-S16	MPB-HD-S16
		3/4" set screw	MPB-HD-S18	MPB-HD-S18	MPB-HD-S18	MPB-HD-S18
		1" set screw	MPB-HD-S20	MPB-HD-S20	MPB-HD-S20	MPB-HD-S20
		1 1/4" set screw	MPB-HD-S21	MPB-HD-S21	MPB-HD-S21	MPB-HD-S21
		1 1/2" set screw	MPB-HD-S22	MPB-HD-S22	MPB-HD-S22	MPB-HD-S22
		1 3/4" set screw	MPB-HD-S23*	MPB-HD-S23*	MPB-HD-S23*	MPB-HD-S23*
		2" set screw	MPB-HD-S24*	MPB-HD-S24*	MPB-HD-S24*	MPB-HD-S24*

\*Moderate Upcharge

C) MPB Barrel height options	Barrel Height	1/4"			MPB10/.25-94	
		1/2"		MPB9/.5-94		
		5/8"			MPB10/.625-94	
		7/8"	MPB8-94			
		1"		MPB9/1-94	MPB10/1-94	MPB11/1-94
		2"		MPB9/2-94	MPB10/2-94	MPB11/2-94
		3"		MPB9/3-94	MPB10/3-94	MPB11/3-94
		4"		MPB9/4-94	MPB10/4-94	MPB11/4-94
		6"			MPB10/6-94	
		8"			MPB10/8-94	
		10"			MPB10/10-94	
		12"			MPB10/12-94	

D) 4 types of mounting hardware	Wood	1 1/2"OA, 5/8"machine	MPB-HD-WHS3	MPB-HD-WHS3	MPB-HD-WHS3	MPB-HD-WHS3
		2 1/2"OA, 1"machine	MPB-HD-WHS4	MPB-HD-WHS4	MPB-HD-WHS4	MPB-HD-WHS4
		4"OA, 1 7/8"machine	MPB-HD-WHS5	MPB-HD-WHS5	MPB-HD-WHS5	MPB-HD-WHS5
	Con/ Drywall	Concrete Anchor Kit	MPB-HD-CON	MPB-HD-CON	MPB-HD-CON	MPB-HD-CON
		1/2" hole req'd		MPB-HD-TWA2		
	Table Top	7/8" hole req'd			MPB-HD-TWA1	MPB-HD-TWA1
		1" thick table tops	MPB-TT-1.00	MPB-TT-1.00	MPB-TT-1.00	MPB-TT-1.00
		1 1/4" thick table tops	MPB-TT-1.25	MPB-TT-1.25	MPB-TT-1.25	MPB-TT-1.25
	1 3/4" thick table tops	MPB-TT-1.75	MPB-TT-1.75	MPB-TT-1.75	MPB-TT-1.75	

Material Thickness:

* Optional *	Hub-Spacers	1/8" x 1 1/4" dia.			MPB10/HB/125-94	MPB11/HB/125-94
		1/4" x 1 1/4" dia.			MPB10/HB/250-94	MPB11/HB/250-94
		3/8" x 1 1/4" dia.			MPB10/HB/375-94	MPB11/HB/375-94
		1/2" x 1 1/4" dia.			MPB10/HB/500-94	MPB11/HB/500-94

## MPB8

Ideal for a small stand-off, highlighting a sign or display board, for example. **MPB8** is 7/8" diameter by 7/8" high. **MPB8/CAP1** is the cap option and is 3/8" thick. Be sure to specify panel thickness for proper length cap screw and mounting hardware.

Note: Smaller 5/8" diameter also available in various lengths.

Finish: Satin Aluminum (94)



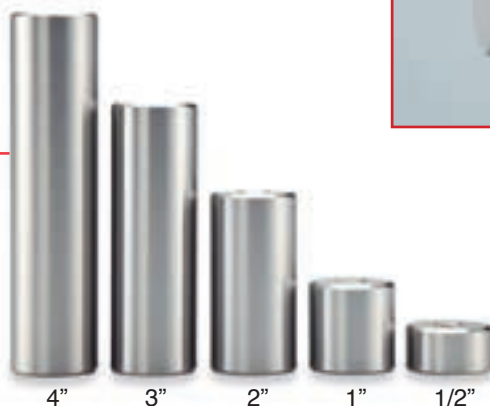
## MPB9

General Purpose stand-off, to be used in many light duty situations.

**MPB9** has a 1" diameter barrel by 1/2", 1", 2", 3", and 4" length; custom lengths available.

**MPB9/CAP1** has a 1" diameter by 3/8" thick cap. Specify stud length and mounting hardware.

Finish: Satin Aluminum (94)



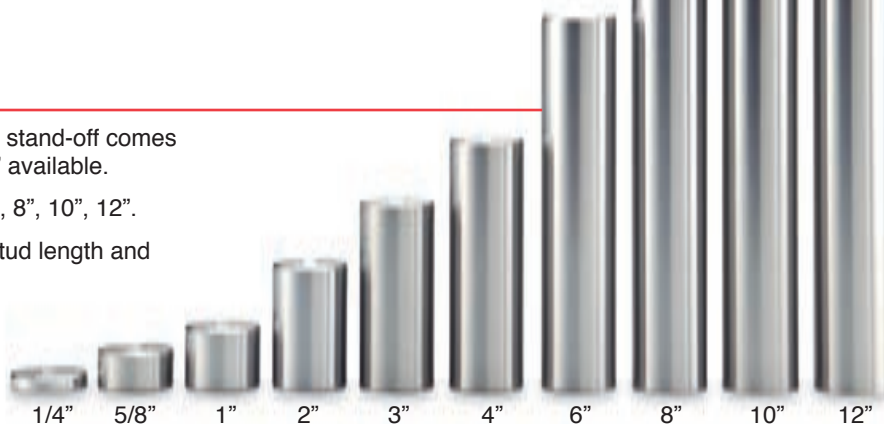
## MPB10

Our most popular diameter and for most every use, this stand-off comes in a wide variety of stock lengths, custom lengths to 24" available.

**MPB10** is 1 1/4" diameter by: 1/4", 5/8", 1", 2", 3", 4", 6", 8", 10", 12".

**MPB10/CAP1** is 1 1/4" diameter by 1/2" thick, specify stud length and mounting hardware.

Finish: Satin Aluminum (94)



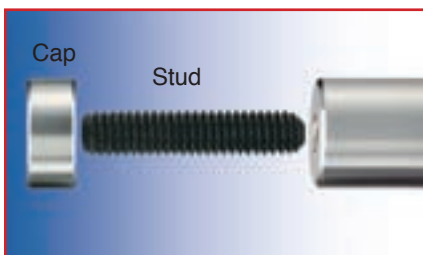
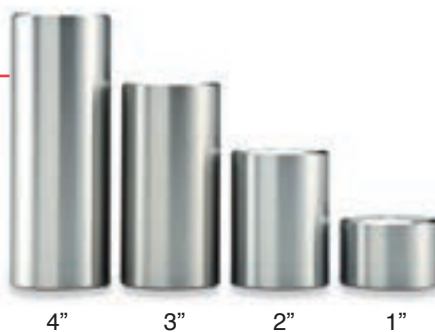
## MPB11

Beefy and tough, for use where larger size suits scale of furniture.

**MPB11** is 1 1/2" diameter by 1", 2", 3", 4" long, custom lengths to 24" available.

**MPB11/CAP1** is same diameter by 1/2" thick, specify panel thickness for proper length stud and mounting hardware.

Finish: Satin Aluminum (94)



# Multi-Purpose Support Hangers

## MPB1

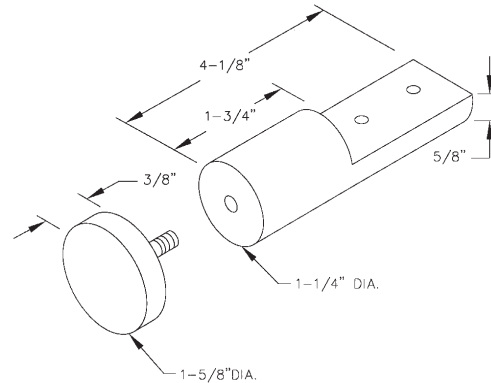


Designed by: Peter Stathis  
- San Francisco, CA

Great for hanging a modesty panel or holding up a Personal Screen to hide a computer. Screws to edge of desk, either on top or underneath.

Straight version designed to screw under desk. Barrel size is 4 1/8" long with 1 3/4" protrusion, 1 1/4" diameter. Cap is 1 5/8" diameter, 3/8" thick with 1" screw.

Finishes: Crystalite Chrome (26C) and Matte Black (90)



Installed: See PSCR1, page 51

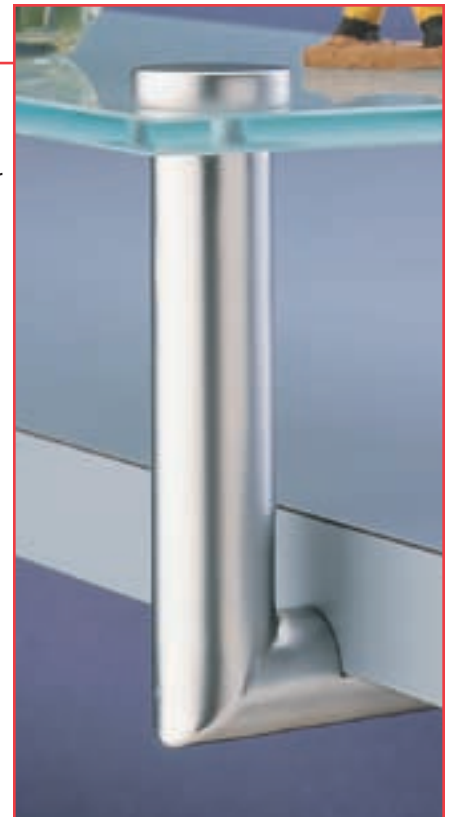
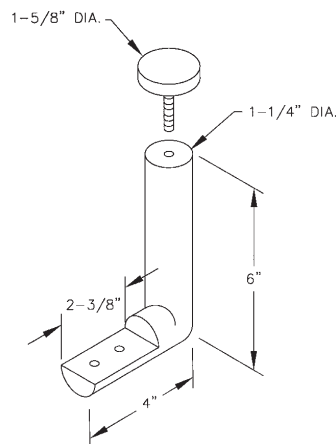
## MPB2

Designed by: Peter Stathis  
- San Francisco, CA

Features a 90 degree angle, can be used to support heavier shelves than MPB1.

Sticks up 6", good for raising work surface above.

Finishes: Crystalite Chrome (26C) and Matte Black (90)





# Multi-Purpose Support Hangers

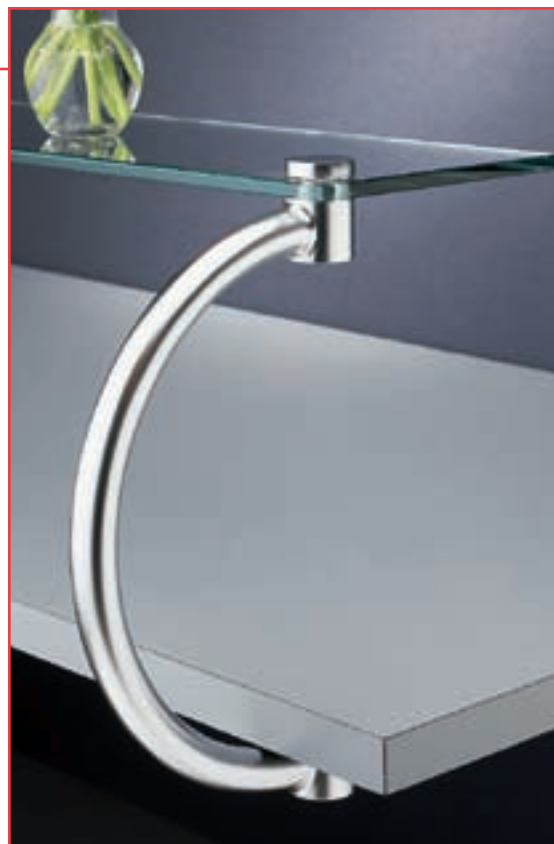
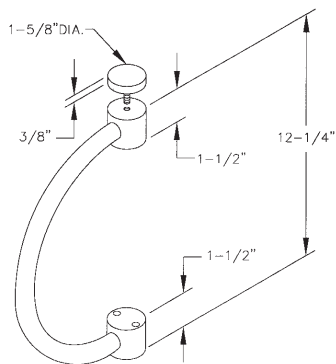
## MPB4



Designed by: Alan W. Bowman  
West Des Moines, IA

A wonderful arc to support a task shelf. Fastens under desk, comes up and around to hold a shelf about 9" or so above desk.

Finishes: Crystalite Chrome (26C) and Matte Black (90)



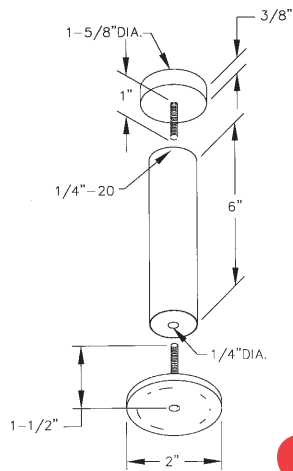
## MPB3 & MPB5

Designed by: Doug Mockett

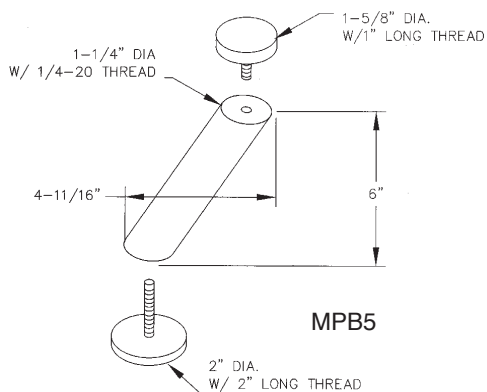
**MPB3** - A straight 6" tube that fastens from the underside of the work surface, giving a clean and unsupported look.

**MPB5** - An angled variation of MPB3, gives a pleasant 30 degree angle. Shelf is in the same plane, just raised up and behind a bit.

Finishes: Crystalite Chrome (26C) and Matte Black (90)



MPB3



MPB5

# Specialty Hardware & Accessories



**S**urprised to see these tag holders? Well, so are we. We thought they went the way of dinosaurs with the last ice age. Unlike the old dinosaurs, these are sleek and cool, made of aluminum with its very modern finish to go onto your modern cabinets, files, kitchen fixtures, and computer furniture. Plus, you'll think of many more uses! Four sizes, two longish ones and two more squareish. Finish is Satin Aluminum (94).

CF4



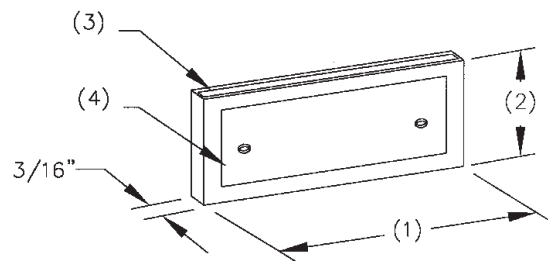
CF1



CF2



CF3



	1	2	3	4
<b>CF1</b>	3-3/8"	1-3/8"	1/16" x 2-31/32"	2-3/4" x 3/4"
<b>CF2</b>	4-3/4"	1-7/8"	1/16" x 4-7/32"	3-5/16" x 1-1/8"
<b>CF3</b>	3-3/8"	2-1/2"	1/16" x 2-31/32"	2-11/16" x 1-13/16"
<b>CF4</b>	4-3/4"	3-1/2"	1/16" x 4-7/32"	3-13/16" x 2-19/32"

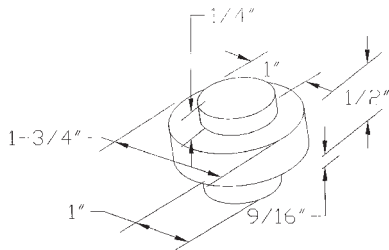
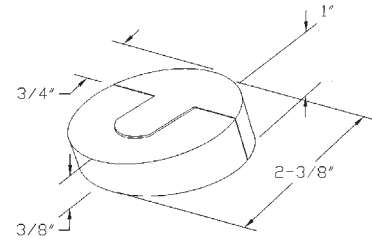
Something one never thinks about. After all, why? But comes the day when that beautiful custom wood door is slamming against that beautiful silk covered wall, then it becomes time to think about door stops. Only ... there just are no fine ones available, just those dumb little rubber wedges. Until now. We know we'll not sell a zillion of them, but it's nice to know there's a place that has fine little details like good door stops.



## DS2

Made of satin stainless steel (SSS) with black rubber bumper, this is a low profile, modern design. Wood screw for wood floors, comes with moly for composition floors.

Also available in: Satin Aluminum (94) with black rubber



## DS3

More of a "bumper" design, this satin stainless (SSS) version has a black rubber bumper. Wood screw goes into wood floor, moly for other floor compositions.

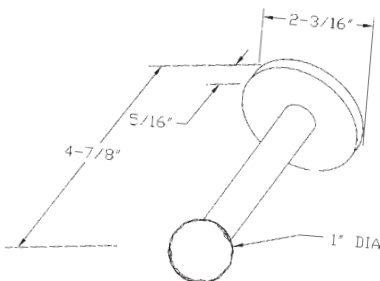
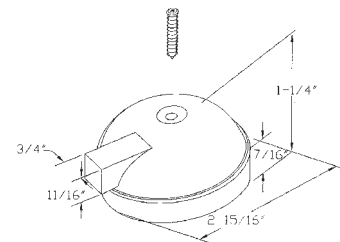
Also available in: Satin Aluminum (94) with black rubber



## DS4

Interesting contemporary "igloo" design features rubber bumper coming from stainless steel (SSS) disc. Has black metal base.

Also available in: Satin Aluminum (94) with black rubber.



## DS5

Very cool design! Rubber ball stop sits atop satin stainless steel (SSS) post and disc base. Two wood screws hold firmly in place, cover slides over.

Also available in: Satin Aluminum (94) with Black rubber accents.



# Specialty Hardware & Accessories

## DS6

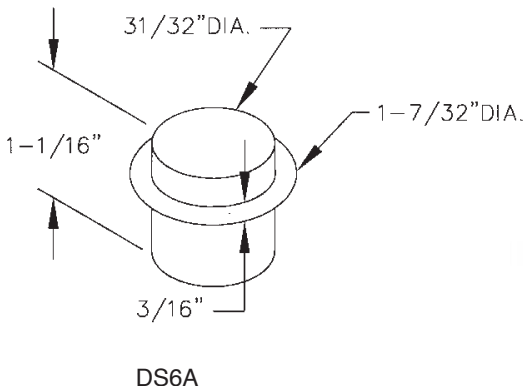
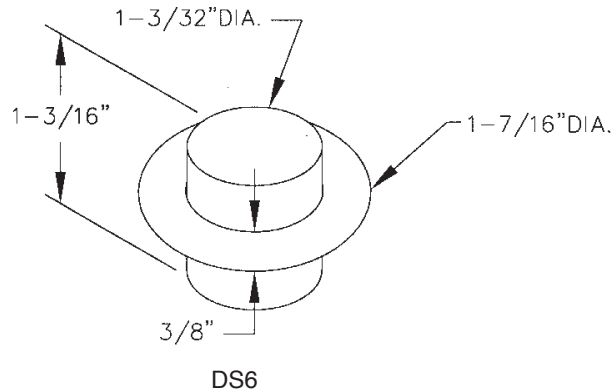
Simple and clean design --cylindrical door stop with radiused Black rubber bumper.  
Comes in two sizes and three finishes. Floor mount.

**DS6** - 1 3/16" tall by 1 7/16" diameter

**DS6A** - 1 1/16" tall by 1 7/32" diameter

Finishes: Polished Chrome (26), Polished Brass (3), Satin Nickel (17), Satin Chrome (26D)

Mounting hardware included



Satin Nickel



Polished Chrome

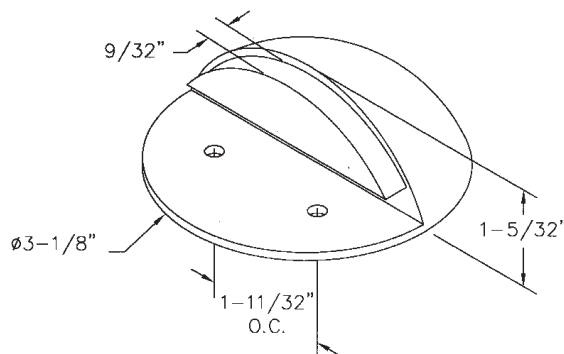
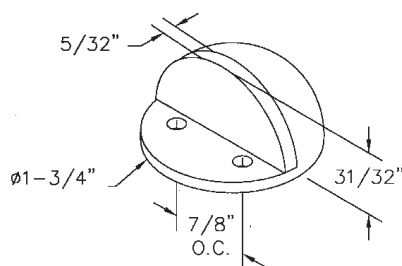
## DS7 & DS8

Maybe a stretch, but to us it looks like our very own Hollywood Bowl, only in a door stop! Two sizes. Satin Stainless Steel stop with black rubber face. Matching screws included. Floor mount.

**DS7** - 1 3/4" diameter, 31/32" tall

**DS8** - 3 1/8" diameter, 1 5/32" tall

Finish: Satin Stainless Steel (SSS)



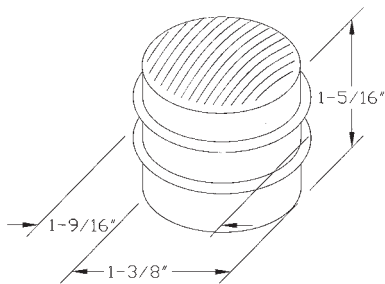
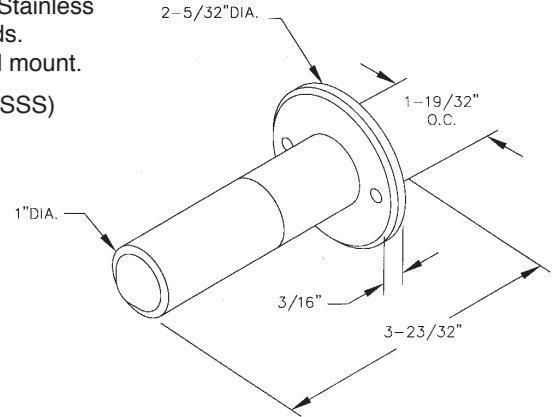
## DS9



Shown with Walnut (82)

Nice combo of wood with Satin Stainless Steel base. Choice of two woods. Matching screws included. Wall mount.

Finishes: Satin Stainless Steel (SSS) with Walnut (82) or (Beech (87)



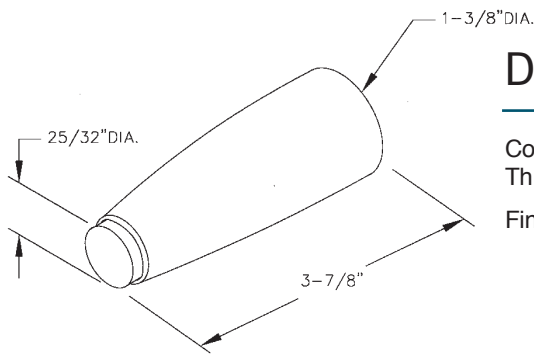
## DS1

Turned of solid wood with two rubber rings that cushion the door. Comes with wood screw ready to install.

Your choice of unfinished Maple (83) or Oak (81). Custom woods with minimum order.



Shown in Maple (83)



## DS10

Conical shape stop with black rubber bumper. Three wood choices. Wall mount.

Finishes: Oak (81), Maple (83) or Beech (87)



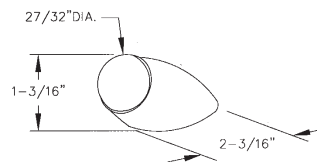
Shown in Maple (83)

Shown in Maple (83)

## DS11

"Cyclops" doorstopper. 45 degree floor mount. Three woods.

Finishes: Oak (81), Maple (83) or Beech (87)



# Specialty Hardware & Accessories

## Video and Book Returns, RT Series Designed by: Doug Mockett

There are plenty of book and video return drops out there, but I thought they had it all backwards. You put the book or tape in, and it slips down out of sight. Note the word "down". This also implies thieving little hands can get "down" in there, rain can get "down" so perhaps the "Good-bye, Mr. Chips" tape actually does go bye-bye, or so long to the original Gutenberg Bible you checked out for a little light reading in Old German over the weekend.

As you can see, my thought is to have the slot go up, not down. So when you push the book or video in, it goes up, then flops over a ledge and down onto the mat. There is a little hinged door to keep the weather out, little fingers too. A 24" x 24" piece of special soft rubber (optional) allows the books or videos to land gently, instead of slamming onto the hard floor.

Made of heavy gauge steel with a 12" x 18" front panel that bolts into or through the wall. Larger 20" x 19" Book Return available. Slot is 10" x 2 3/4" for video cassettes/DVD's or 15" x 8" for library book returns.

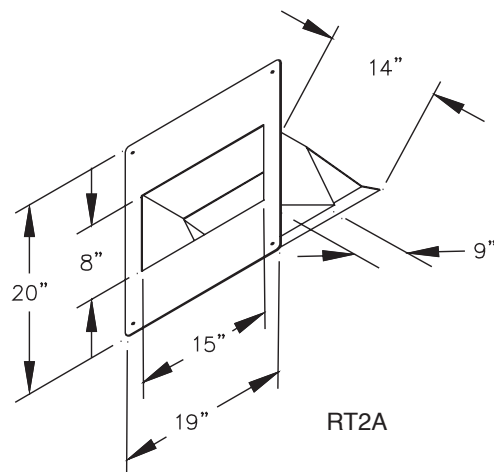
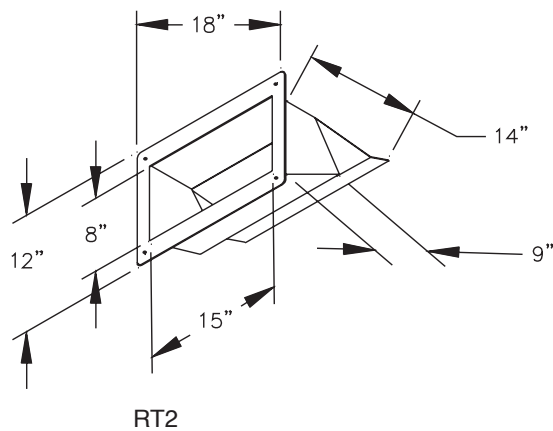
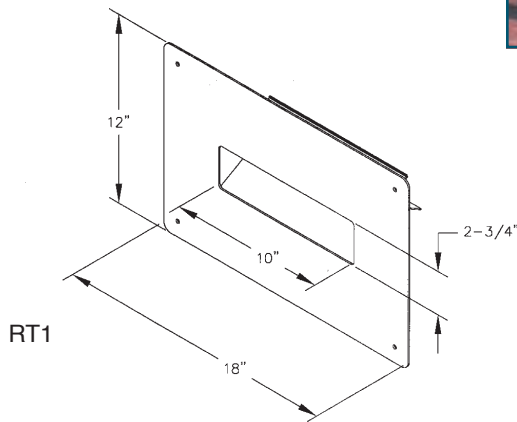
Front can be lettered any way you like - "Return Books Here" or "Return Videos here", along with an arrow indicating "Push Up", as we suspect people will be used to the old style.

US Patents: Video Return 420,186, Book Return 414,908.

In stock for immediate shipping.

Finish: Matte Black (90)

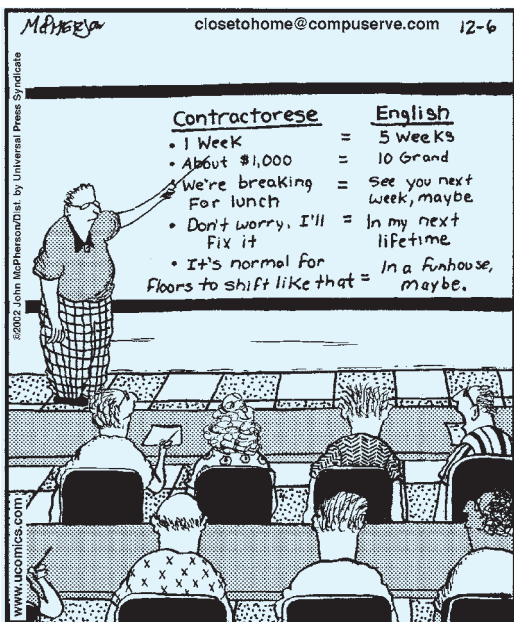
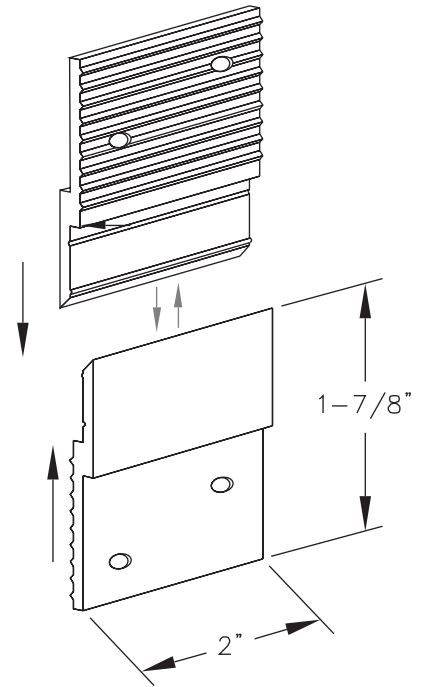
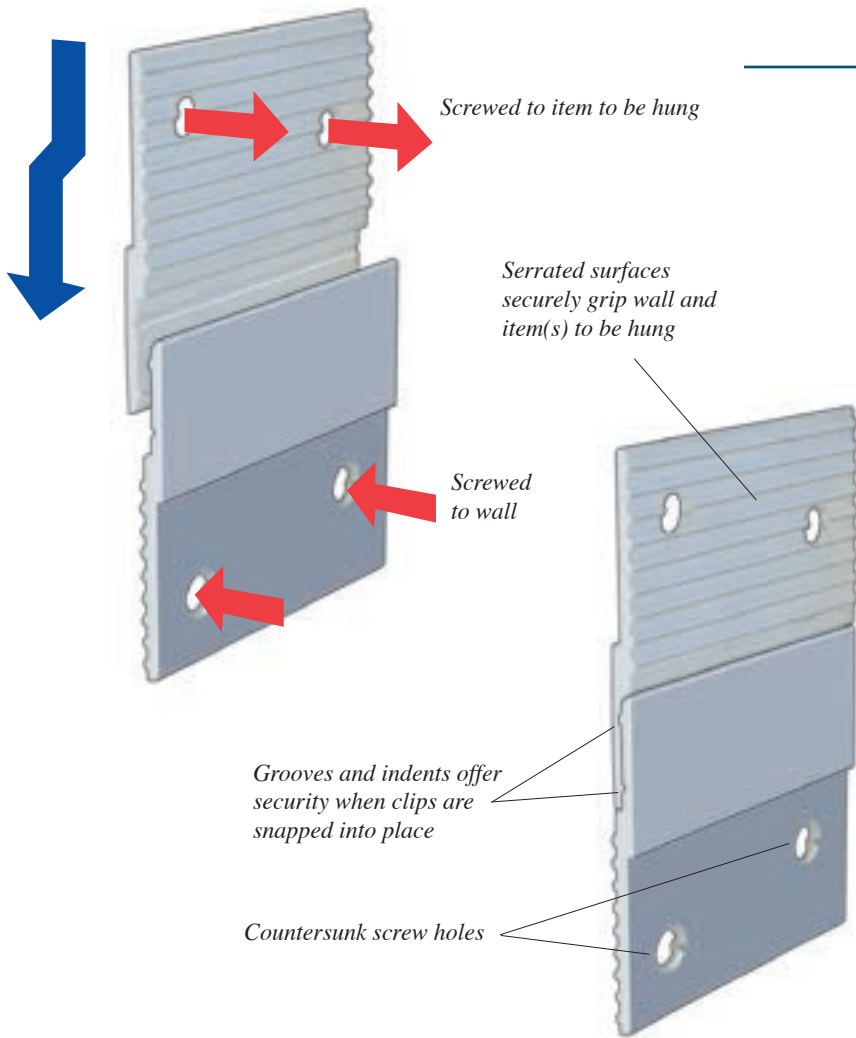
Lettering optional.



## Z-Z-Z-Z Clips, ZC3

Designed by: Doug Mockett

Our design is hefty and sure, with deep serrations to get a good bite on the one side, and little bumps on the other where the "Z" click together for more secure fit. Stock size is 2" long by 2" high giving 1 1/4" grip surface to wall and 3/4" inside grip. Countersunk holes. Available in plain aluminum only. Note: Any custom length available!



At the National Contractor Institute.

## Cylinders & Cubes



Popular as stand-alone tables, or with tabs to mount a top of your own, our cylinders and cubes are available in a variety of sizes and finishes. See page 190 of the TL section for full details.

## Air Vent Grilles - GT Series

Custom made to fit the exact size you need to vent air from computers and other hot machines. Just tell us the size of the opening and quantity. See page 68 of the Computer Into Desk Integration section for full details.



## Air Vent Grommet Cover - AVG Series

Ideal for ventilating built-in cabinetry, stereo cabinets, etc. where an Air Vent Grille is too large or in some way not quite right for the job. Fits into standard EDP or ZG Gromet. See page 68 of the Computer Into Desk Integration section for full details.

## WGAVG

Beautiful, unfinished wood Air Vent Grommets where you want to dress up the media center or computer cabinet. Large enough openings to vent serious heat and air. Two sizes, four woods. See page 69 of the Computer Into Desk Integration section for full details.





## Table Ganging Clamp, GC1

Designed by: Marvin R. Cooke  
- St Louis, MO

A first place award in our 1992 design competition, The Table Ganging Clamp is a device to hold together groups of school, training, industrial or conference tables for various size meetings.

It works entirely by hand - no tools required - and leaves no exposed hardware on the bottom of the table or the table edges. When not being used, it is completely removable.

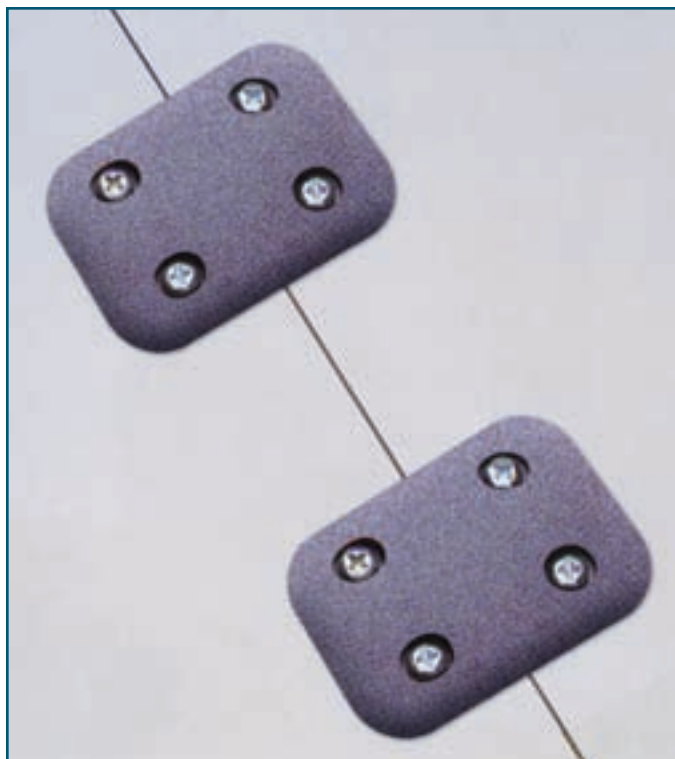
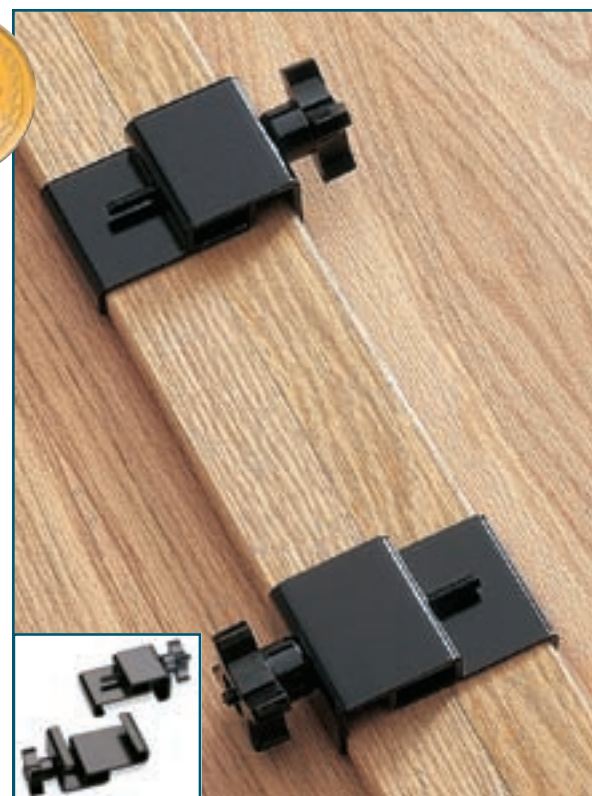
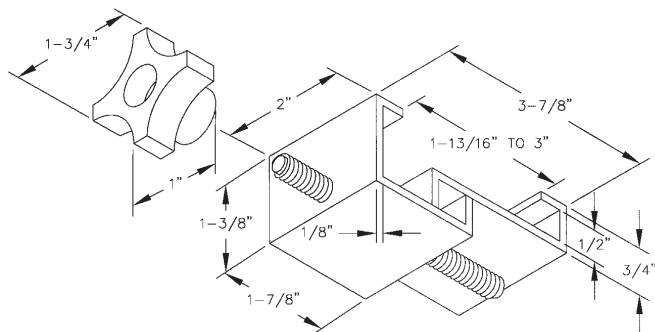
To install, simply push tables together, level them one to another, hook the table Ganging Clamp into the grooves, and tighten the hand wheel.

One or two Table Ganging Clamps per joint are usually all that are required.

In stock for immediate shipping.

Finish: Black (90)

Custom sizes and finishes available.



## Join-It-Together, JT1

Designed by: Doug Mockett

Most people join furniture with scrap steel and if you look underneath, you'll see it. It's okay, but... out of sight, out of mind, right? Here's a better, more professional way.

Some years ago we brought you a nice design to join tables, work surfaces or whatever together. A good piece. Trouble was, it was a little big, and just slightly the wrong shape.

We thought we could do it ourselves just a little bit better and I think we have.

The new part is 3" x 2". It is more rectangular than oval which seems to fit its purpose quite a bit better. With four recessed screw holes, so no knees will know it's there, it holds the different surfaces together flush and stable. Being some 20% smaller, it is also considerably cheaper.

It is emblematic of how the small things reflect the quality of your work. Yeah, strap steel is okay, but Join-It-Together says you do it right.

Finish: Black (90)

Custom sizes and finishes available.

# General Information

## Guarantee

We stand 100% behind everything we sell you. If you are not satisfied, for any reason, let us know. If we cannot satisfy you, we will accept back all items sold to you (except custom-made-to-order items of course) and give you a 100% credit or refund, freight included.

## Shipping and Delivery

98.5% of all orders are shipped the same day the order is received, except in the rare instance that we are out of stock, or when an item is to be custom-made which generally takes 4-8 weeks. We ship UPS, FedEx or Priority Mail - unless you specify another carrier. Large items or quantity orders may ship by truck. Southern California delivery via our plane or truck: \$35 - \$250. Freight charges will be prepaid and added to your invoice. Or, you may charge freight to your own account. We pay ground shipping on all orders for grommets, drawer pulls and coat hooks within the continental USA accompanied by check.

## EZ Ordering

[www.mockett.com](http://www.mockett.com) for secure on-line ordering or...

- 1 Make copy of order form on next page.
- 2 Fill out with your order.
- 3 Fax it to us 800-235-7743
- 4 98.5% of the time your order will ship same day!
- 5 Repeat steps 1-3 as needed.
- 6 Or call us.

## To Call

800-523-1269 from the USA, Canada, Puerto Rico and U.S. Virgin Islands.

310-318-2491 from everywhere else.

## To Fax

800-235-7743 from the USA, Canada, Puerto Rico and U.S. Virgin Islands.

310-376-7650 from everywhere else.

## To E-mail

[info@mockett.com](mailto:info@mockett.com)

## To Order On-line

[www.mockett.com](http://www.mockett.com)

## To Write

Doug Mockett & Company, Inc.  
P.O. Box 3333  
Manhattan Beach, CA 90266

## To Visit/Ship

1915 Abalone Avenue  
Torrance, CA 90501, USA - See map

## Hours

Monday through Friday,  
6:00am to 5:30pm, Pacific Time.

## Minimum Order

One. We are unable to accept orders of less than one. Seriously, we have no minimum order either in quantity or dollar amount. Why should you be penalized with a huge minimum order amount if you just need a few?

## Custom Orders

Items custom-made to your exact specifications require a 50% deposit with order and are not returnable, of course.

## Blanket Orders

We welcome your large order to ship over 6-12 months. Please call to arrange pricing and terms.

## Prices

Effective June 2004 and subject to change without notice.

## Price Quotations

When you need a price quote, please ask that it be faxed to you so we both know who said what to whom. Prices in this catalog prevail over verbal quotes.

## Packing

Packing is included in the price of all items, except for Cylinders or Cubes and Table Legs that require cartoning, crating or boxing. Approximate charges are: Cylinder \$30 to \$50 depending on size; Table Leg \$7.50 for 1 or 2, depending on how many will fit into our standard box. Call for exact quote.

## Colors

The color photographs of products shown in this catalog may not exactly match the actual color of the product. If you need to confirm a color, please call and we can send a color sample for approval.

## Terms

We accept VISA, MasterCard and American Express. Net terms may be established, please request our credit application. C.O.D. available.

## Returns

We accept back any item (except custom-made items, of course) at NO RESTOCKING CHARGE. Call before shipping items for Return Authorization Number.

We do ask that it be packed well to arrive back here in resalable condition. Please be sure to pack well to assure credit.



## Directions

From San Diego Freeway (405): Exit Western Avenue, go South about 2 miles. Turn right at 220th Street. Go to Stop sign at Abalone. Turn right, then immediately left into our parking lot.

From the Harbor Freeway (110): Exit Carson Street, go West about 1 mile. Turn left on Abalone street, we're at the end of the block on the right.

Date: \_\_\_\_\_  
Phone #: \_\_\_\_\_  
Fax #: \_\_\_\_\_  
E-Mail: \_\_\_\_\_  
P.O.#: \_\_\_\_\_  
Job: \_\_\_\_\_

**Sold To:** Customer \_\_\_\_\_ Customer No. (if known) \_\_\_\_\_

Check here if residential delivery (this includes Home Offices)

Street \_\_\_\_\_

City \_\_\_\_\_ State \_\_\_\_\_ Zip \_\_\_\_\_

**Ship To:** Your name and Phone# \_\_\_\_\_

(if different from above) Street address, **NOT** a P.O.Box (unless shipping priority mail)

Company Name \_\_\_\_\_ Attention \_\_\_\_\_

Street \_\_\_\_\_

City \_\_\_\_\_ State \_\_\_\_\_ Zip \_\_\_\_\_

**Preferred Shipping Method:**

**Ground**  
(We may substitute 3 Day at our discretion if cost is same or less)

**3 Day**

**2 Day**

**Next Day Air**

Priority

Standard

**Priority Mail** (no COD's)

**Order:**

Quantity	Part Number	Description	Color	Unit Price \$	Total \$

NOTE: When ordering Drawer Pulls, please specify screw length, otherwise 1" will be sent.

**\*Merchandise Total**

\*Appropriate shipping/COD/Tax charges will be added

**Payment:**

- Open account (Established accounts only)
- COD
- PrePay - Check enclosed (\*call for total including shipping charges)
- Credit card - AMEX, MasterCard or Visa

For **ALL** credit card orders, **COMPLETE ALL SECTIONS** of form below



Exact name(s) on card \_\_\_\_\_

Exact billing address for card (This is where your credit card bill is mailed to)

Street \_\_\_\_\_

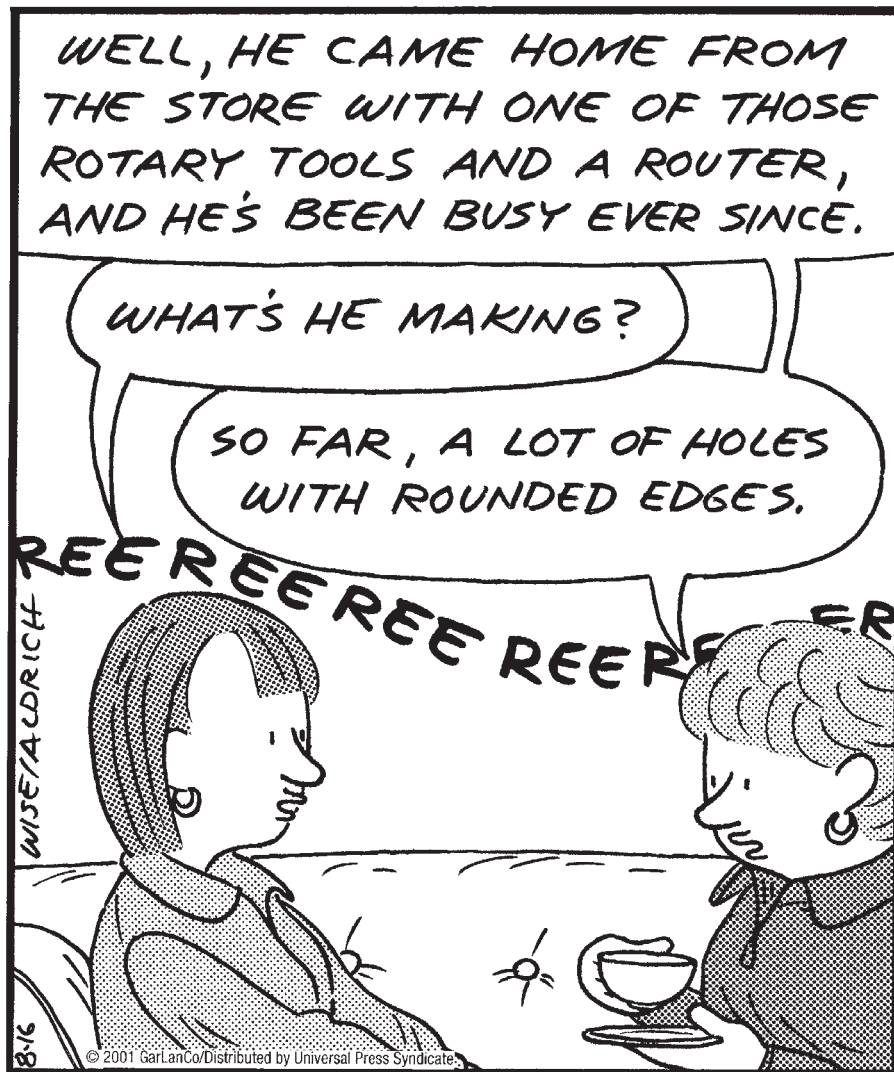
City \_\_\_\_\_ State \_\_\_\_\_ Zip \_\_\_\_\_

Card number \_\_\_\_\_

Expiration date \_\_\_\_\_

Signature \_\_\_\_\_

Thank you  
for your order!



**Modern Man has only a slightly better grasp of tools than Early Man.**

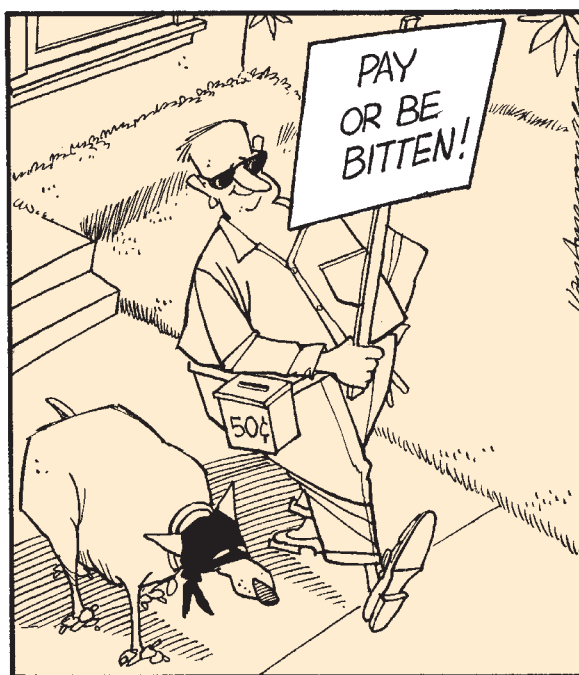
**P**ricing effective June 1, 2004 and subject to change without notice. Due to the fluctuation in raw materials such as steel, copper, nickel and aluminum, pricing adjustments may be necessary for products containing these materials.

Please call, or check our website: [www.mockett.com](http://www.mockett.com) to verify any changes.

Freight charges are additional and depend on the method shipped, weight, size and number of packages in the shipment, as well as destination zip code. We ship via Fedex or UPS for most orders. Large orders ship via common carrier.

In most cases we can accommodate shipping via customer's preferred carrier on a freight collect or "bill consignee basis".

To place an order using this catalog, please specify the part number followed by a dash and the finish code. e.g. SG3-90 for the SG Grommet Set in **Black**.



Around mid-morning Doug and Charlie set out to see if they can scare up some lunch money.

## POWER & DATA GROMMETS pages 6-21

Note: Shipped with standard data modules listed under part description. Optional modules available at additional charge. Please refer to Data Module list immediately following. See catalog pages 6-21 for options.

	1-11	12-24	25-49	50-99	100+
PCS1A-90	\$65.00	\$61.75	\$58.65	\$55.70	\$52.95
PCS1B-90	\$65.00	\$61.75	\$58.65	\$55.70	\$52.95
PCS1AC-26D	\$25.00	\$24.40	\$23.75	\$23.15	\$22.60
PCS2-90	\$65.00	\$61.75	\$58.65	\$55.70	\$52.95
PCS3-90	\$89.00	\$86.00	\$82.00	\$79.00	\$75.00
PCS3AC-26D	\$45.00	\$43.90	\$42.75	\$41.75	\$40.65
PCS4-90	\$85.00	\$82.50	\$80.00	\$77.50	\$75.25
PCS4A-90	\$145.00	\$140.75	\$136.45	\$132.35	\$127.00
PCS4A-SSS	\$199.00	\$193.00	\$187.25	\$181.75	\$176.50
PCS4B-SSS	\$199.00	\$193.00	\$187.25	\$181.75	\$176.50
PCS5-90	\$125.00	\$121.25	\$117.60	\$114.00	\$110.70
PCS5-SSS	\$240.00	\$234.00	\$228.15	\$222.45	\$216.90
PCS6-90	\$69.00	\$67.25	\$65.50	\$64.00	\$62.25
PCS7-90	\$230.00	\$223.10	\$216.40	\$210.00	\$205.80
PCS7-SSS	\$364.00	\$353.40	\$342.85	\$332.55	\$325.75
PCS8-90	\$192.00	\$186.40	\$180.80	\$175.40	\$171.80
PCS8-SSS	\$330.00	\$320.10	\$310.50	\$301.20	\$295.15
PCS9-90	\$249.00	\$241.40	\$234.15	\$227.10	\$222.50
PCS9-SSS	\$401.00	\$389.00	\$377.40	\$366.00	\$358.75
PCS10-90	\$215.00	\$208.75	\$202.50	\$196.95	\$192.50
PCS11-90	\$344.00	\$334.00	\$324.00	\$314.30	\$308.00
PCS12-90	\$159.00	\$153.80	\$149.20	\$144.70	\$141.80
PCS13-90	\$146.00	\$141.60	\$137.30	\$133.20	\$130.50
PCS14-90	\$130.00	\$126.25	\$122.50	\$118.85	\$115.30
PCS17-90	\$265.00	\$258.40	\$251.90	\$245.60	\$239.50

	1-11	12-24	25-49	50-99	100+
PCS17-SSS	\$485.00	\$472.90	\$461.00	\$449.50	\$438.30
PCS18-90	\$478.00	\$466.05	\$454.40	\$443.00	\$432.00
*PCS19-90	\$415.00	\$404.50	\$394.50	\$384.65	\$380.00
PCS20-( )	\$127.00	\$123.85	\$120.75	\$117.75	\$114.75
PCS21-( )	\$127.00	\$123.85	\$120.75	\$117.75	\$114.75
PCS22-90	\$127.00	\$123.85	\$120.75	\$117.75	\$114.75
PCS24-( )	\$110.00	\$104.50	\$99.25	\$94.30	\$89.60
PCS25-( )	\$120.00	\$114.00	\$108.30	\$102.90	\$97.75
PCS26-( )	\$105.00	\$99.75	\$94.75	\$90.00	\$85.50
PCS26/EM-( )	\$112.00	\$106.40	\$101.10	\$96.00	\$91.25
PCS26/SM-( )	\$120.00	\$114.00	\$108.30	\$102.90	\$97.75
PCS27A-( )	\$81.00	\$76.95	\$73.10	\$69.45	\$66.00
PCS27B-( )	\$81.00	\$76.95	\$73.10	\$69.45	\$66.00
PCS27C-( )	\$56.00	\$53.20	\$50.55	\$48.00	\$45.60
PCS27D-( )	\$89.00	\$84.55	\$80.30	\$76.30	\$72.50
PCS27E-( )	\$6.00	\$5.70	\$5.40	\$5.15	\$4.90

**\*PCS19 Options** (Add to base price)

Black or Stainless round or square cap	\$37.00	
Satin or Polished brass round or square cap	\$53.00	
Brush flange \$85.00	Hard Wired \$15.00	Deep Skirt \$37.00

**POWER BRACKET** (Color: Matte Black)

	1-11	12-24	25-49	50-99	100+
PB1-90	\$42.00	\$40.75	\$39.50	\$38.35	\$37.00
PIGTAIL - 8" Extension cord to plug laptop transformer into, then plug into PCS.					
Color: Matte Black.					
PT1-90			\$5.50 ea.		

# Price List

## DATA MODULES page 21

Color: Matte Black.

All PCS models come fully loaded with standard data modules listed under part description, page 21. The following are optional inserts available at an additional charge.

Data Module options for **PCS1-PCS3** and **PCS7-PCS13**:

p/n	Description	Price
<b>BL-BK</b>	Blank Insert	\$2.00
<b>U2ST-BK</b>	2 ea. Fiber Optic ST adapter - unloaded	\$2.00
<b>U2SC-BK</b>	2 ea. Fiber Optic SC adapter - unloaded	\$2.00
<b>U2ATT-BK</b>	2 ea. Lucent M Series - unloaded	\$2.00
<b>U1KEYA-BK</b>	Single flush mount insert - unloaded	\$2.00
<b>U2KEYA-BK</b>	Dual flush mount insert - unloaded	\$2.00
<b>1F-BK</b>	1 ea. F connector	\$5.00
<b>1TEL3MM-BK</b>	1ea. 3mm (1/8") audio connector	\$5.00
<b>1BNC-BK</b>	Single BNC adapter insert	\$5.00
<b>2F-BK</b>	2 ea. F connector	\$7.00
<b>145C3U-BK</b>	1 ea. Cat. 3/4, RJ45	\$7.00
<b>2TEL3MM-BK</b>	2 ea. 3mm (1/8") audio connector	\$7.00
<b>112U-BK</b>	1 ea. Cat. 3/4, RJ11/12	\$7.00
<b>U1KEY311-BK</b>	1 ea. Cat. 3, RJ11, female	\$7.00
<b>U1KEY345-BK</b>	1 ea. Cat. 3, RJ45, female	\$7.00
<b>BNCF-BK</b>	1 ea. BNC & 1 ea. F connector	\$7.00
<b>1RCA-BK</b>	1 ea. RCA audio insert	\$7.00
<b>145C5EU-BK</b>	1 ea. Cat. 5E, RJ45, T568A/B	\$7.00
<b>245C3U-BK</b>	2 ea. Cat. 3/4, RJ45	\$13.00
<b>212U-BK</b>	2 ea. Cat. 3/4, RJ11/12	\$13.00
<b>2RCA-BK</b>	2 ea. RCA audio insert	\$13.00
<b>U2KEY345-BK</b>	2 ea. Cat. 3, RJ45, female	\$13.00
<b>U2KEY311-BK</b>	2 ea. Cat. 3, RJ11, female	\$13.00
<b>145CC6-BK*</b>	1 ea. Cat. 6, RJ45	\$13.00
<b>U2311545-BK</b>	1 ea. Cat. 5E & 1 ea. Cat. 3 female	\$13.00
<b>U2345545-BK</b>	1 ea. Cat. 5E & 1 ea. Cat. 3, RJ45, female	\$13.00
<b>245C5EU-BK</b>	2 ea. Cat. 5E (standard), RJ45, T568A/B	\$13.00
<b>1245UC5E-BK</b>	1 ea. Cat. 5E & 1 ea. Cat. 3 USOC	\$13.00
<b>1SVHS-BK</b>	1 ea. Super VHS	\$13.00
<b>15PIN-BK</b>	15 Pin female to female	\$13.00
<b>245CC6-BK</b>	2 ea. Cat. 6	\$24.00
<b>U2KEY5FF</b>	2 ea. Cat. 5E, RJ45, female to female	\$29.00

Data Module options for **PCS4, 4A** and **4B**:

p/n	Description	Price
<b>S4-C311-BK</b>	Cat 3, RJ11	\$12.00
<b>S4-C645-BK</b>	Cat 6, RJ45	\$12.00

Data Module options for **PCS5** and **PCS17-PCS19**:

p/n	Description	Price
<b>DM18</b>	Blank Plate	\$2.00
<b>DM17</b>	Lucent M series, Bezel only	\$10.00
<b>DM19</b>	Lucent C series, Bezel only	\$10.00
<b>DM20</b>	1 ea. VGA cut & SMP RJ cut, Bezel only	\$10.00
<b>DM24</b>	3 ea. Krone knock outs only	\$10.00
<b>DM25</b>	face plate with 2 Siemons Max Jack Bezel only	\$10.00
<b>DM26</b>	Panduit face plate, 4 knock outs	\$10.00
<b>DM3</b>	Cat. 3, RJ11	\$10.00
<b>DM2</b>	Cat. 5E, RJ45	\$10.00
<b>DM13</b>	Cat. 3, RJ11, Cat. 5E, RJ45	\$23.00
<b>DM4</b>	Cat. 3, RJ11, Cat. 5E, RJ45	\$23.00
<b>DM7</b>	Cat. 3, RJ11, Cat. 5E, RJ45	\$23.00
<b>DM6</b>	Cat. 5E, RJ45	\$23.00
<b>DM16</b>	VGA, 15pin F to F, Cat. 3, RJ11	\$23.00
<b>DM15</b>	VGA, 15pin F to F, Cat. 5E, RJ45	\$23.00
<b>DM8</b>	Cat. 5E, RJ45	\$23.00
<b>DM22</b>	2 ea. Cat. 6, RJ45	\$60.00
<b>DM21</b>	2 ea. Cat. 3 & 2 ea. Cat. 5	\$60.00
<b>DM23</b>	3 ea. Cat. 6, RJ45	\$69.00

## GROMMETS pages 22-45

### FORSTNER BITS

Hole Size	p/n	Original	p/n	Premium
<b>3/4" (AG)</b>	BIT3/4	\$5.00	BIT2-.75	\$15.95
<b>1" (OG)</b>	BIT1	\$6.00	BIT2-1	\$19.65
<b>1-1/2" (BG, MG1)</b>	BIT1-1/2	\$8.50	BIT2-1.5	\$29.95
<b>1-3/4" (SG, MG2)</b>	BIT1-3/4	\$10.50	BIT2-1.75	\$41.75
<b>1-7/8" (MM3A)</b>			BIT2/1-7/8	\$45.99
<b>2" (TG)</b>	BIT2	\$13.00	BIT2-2	\$44.99
<b>2-3/16" (MM4)</b>			BIT2/2-3/16	\$129.99
<b>2-3/8" (MM4A, CLVR1, GRN)</b>			BIT2/2-3/8	\$135.99
<b>2-1/2" (EDP, PS-2)</b>	BIT2-1/2	\$20.00	BIT2-2.5	\$123.99
<b>2-3/4" (SS3A, MM5)</b>			BIT2/2-3/4	\$148.99
<b>2-7/8" (MM5A)</b>	BIT2-7/8	\$29.00	BIT2/2-7/8	\$142.99
<b>3" (XG, PS-3, WG3, FG3, LG)</b>	BIT3	\$24.00	BIT2-3	\$159.99

### ROUND GROMMETS

In stock same day ship colors are: Black (90), Walnut Brown (91), Light Grey (92), Putty (93), White (95) in all sizes. Polished Chrome (26), Satin Chrome (26D), Polished Brass (3) and Antique Bronze (11) available in BG through XG series only. Plated Grommets and caps are sold as a set ONLY.

Call us for prices over 1,000 or blanket P.O. prices.

### AG SERIES - Drill 3/4" hole.

	1-10	11-49	50-99	100-499	500-999	1000+
<b>AG1-( ) Liner</b>	\$1.50	\$1.40	\$1.25	\$1.15	\$1.05	\$0.95
<b>AG2-( ) Cap</b>	\$1.00	\$0.85	\$0.80	\$0.70	\$0.60	\$0.55
<b>AG3-( ) SET</b>	\$2.50	\$2.25	\$2.05	\$1.85	\$1.65	\$1.50

**AG4-99** Set - Client custom color, 1,000 minimum order \$1.98

**AG5** Set Plated - Unavailable at present.

Available with Solid Cap - AGW2-( )

### OG SERIES - Drill 1" hole.

	1-10	11-49	50-99	100-499	500-999	1000+
<b>OG1-( ) Liner</b>	\$1.60	\$1.50	\$1.30	\$1.20	\$1.10	\$1.00
<b>OG2-( ) Cap</b>	\$1.05	\$0.90	\$0.85	\$0.75	\$0.65	\$0.58
<b>OG3-( ) SET</b>	\$2.65	\$2.40	\$2.15	\$1.95	\$1.75	\$1.58

**OG4-99** Set - Client custom color, 1,000 minimum order \$1.71

**OG5** Set Plated - Unavailable at present.

Available with Solid Cap - OGW2-( )

### BG SERIES - Drill 1-1/2" hole. (Cap Features "Flip-Top" Tab)

	1-10	11-49	50-99	100-499	500-999	1000+
<b>BG1-( ) Liner</b>	\$1.65	\$1.55	\$1.35	\$1.30	\$1.15	\$1.05
<b>BG2-( ) Cap</b>	\$1.10	\$0.95	\$0.90	\$0.80	\$0.75	\$0.65
<b>BG3-( ) SET</b>	\$2.75	\$2.50	\$2.25	\$2.10	\$1.90	\$1.70

**BG4-99** Set - Client custom color, 1,000 minimum order \$2.25

**BG5-( )** Set Plated \$7.25 \$6.95 \$6.60 \$6.25 \$5.95 \$5.60

Available with Solid Cap - BGW2-( )

### SG SERIES - Drill 1-3/4" hole. (Cap Features "Flip-Top" Tab)

	1-10	11-49	50-99	100-499	500-999	1000+
<b>SG1-( ) Liner</b>	\$1.80	\$1.65	\$1.50	\$1.35	\$1.20	\$1.10
<b>SG2-( ) Cap</b>	\$1.15	\$1.00	\$0.90	\$0.85	\$0.80	\$0.70
<b>SG3-( ) SET</b>	\$2.95	\$2.65	\$2.40	\$2.20	\$2.00	\$1.80

**SG4-99** Set - Client custom color, 1,000 minimum order \$2.45

**SG5-( )** Set Plated \$7.25 \$6.95 \$6.60 \$6.25 \$5.95 \$5.60

Available with Solid Cap - SGW2-( )

## TG SERIES - Drill 2" hole. (Cap Features "Flip-Top" Tab)

	1-10	11-49	50-99	100-499	500-999	1000+
TG1-( ) Liner	\$1.95	\$1.80	\$1.65	\$1.50	\$1.30	\$1.20
TG2-( ) Cap	\$1.30	\$1.15	\$1.00	\$0.90	\$0.85	\$0.75
TG3-( ) SET	\$3.25	\$2.95	\$2.65	\$2.40	\$2.15	\$1.95
TG4-99 Set - Client custom color, 1,000 minimum order \$2.75						
TG5-( ) Set Plated	\$8.25	\$7.95	\$7.50	\$7.10	\$6.80	\$6.40

## EDP SERIES - Drill 2-1/2" hole. (Cap Features "Flip-Top" Tab)

	1-10	11-49	50-99	100-499	500-999	1000+
EDP1-( ) Liner	\$2.10	\$1.90	\$1.70	\$1.55	\$1.40	\$1.25
EDP2-( ) Cap	\$1.35	\$1.20	\$1.10	\$0.95	\$0.85	\$0.80
EDP3-( ) SET	\$3.45	\$3.10	\$2.80	\$2.50	\$2.25	\$2.05
EDP4-99 Set - Client custom color, 1,000 minimum order \$2.94						
EDP5-( ) Set Plated	\$8.25	\$7.95	\$7.50	\$7.10	\$6.80	\$6.40

Available with Air Vent Cap - EDPAVG2-( )

Available with Solid Cap - EDPW2-( )

## XG SERIES - Drill 3" hole. (Cap Features "Flip-Top" Tab)

	1-10	11-49	50-99	100-499	500-999	1000+
XG1-( ) Liner	\$2.25	\$2.10	\$1.85	\$1.70	\$1.50	\$1.45
XG2-( ) Cap	\$1.50	\$1.30	\$1.20	\$1.15	\$0.95	\$0.90
XG3-( ) SET	\$3.75	\$3.40	\$3.05	\$2.75	\$2.45	\$2.35
XG4-99 Set - Client custom color, 1,000 minimum order \$3.25						
XG5-( ) Set Plated	\$9.25	\$8.95	\$8.50	\$8.10	\$7.70	\$7.30

Available with Solid Cap - XGW2-( )

## YG SERIES - Drill 3-1/2" hole. (Cap Features "Flip-Top" Tab)

	1-10	11-49	50-99	100-499	500-999	1000+
YG1-( ) Liner	\$2.40	\$2.20	\$2.00	\$1.80	\$1.65	\$1.55
YG2-( ) Cap	\$1.60	\$1.40	\$1.25	\$1.15	\$1.00	\$0.95
YG3-( ) SET	\$4.00	\$3.60	\$3.25	\$2.95	\$2.65	\$2.50

YG4-99 Set - Client custom color, 1,000 minimum order \$3.50

YG5-( ) Set Plated unavailable.

## ZG SERIES - Drill 4" hole. (Cap Features "Flip-Top" Tab)

	1-10	11-49	50-99	100-499	500-999	1000+
ZG1-( ) Liner	\$2.55	\$2.40	\$2.15	\$1.95	\$1.75	\$1.65
ZG2-( ) Cap	\$1.70	\$1.45	\$1.30	\$1.15	\$1.05	\$1.00
ZG3-( ) SET	\$4.25	\$3.85	\$3.45	\$3.10	\$2.80	\$2.65

ZG4-99 Set - Client custom color, 1,000 minimum order \$3.74

ZG5-( ) Set Plated unavailable.

Available with Vent Cap - ZGAVG2-( )

## ROUND GROMMET VARIATIONS

In-stock same day ship colors are Black (90), Walnut Brown (91), Light Grey (92), Putty (93), and White (95), in all sizes.

Call us for prices over 1,000 or blanket P.O. prices.

## NO SLOT GROMMET CAPS

	1-10	11-49	50-99	100-499	500-999	1000+
AGW2-( )	\$1.00	\$0.85	\$0.80	\$0.70	\$0.60	\$0.55
OGW2-( )	\$1.05	\$0.90	\$0.85	\$0.75	\$0.65	\$0.58
BGW2-( )	\$1.10	\$0.95	\$0.90	\$0.80	\$0.75	\$0.65
SGW2-( )	\$1.15	\$1.00	\$0.90	\$0.85	\$0.80	\$0.70
EDPW2-( )	\$1.35	\$1.20	\$1.10	\$0.95	\$0.85	\$0.80
XGW2-( )	\$1.50	\$1.30	\$1.20	\$1.15	\$0.95	\$0.90

See AG, OG, BG, SG, EDP, and XG Series' for liners.

## AIR VENT GROMMET CAPS

	1-10	11-49	50-99	100-499	500-999	1000+
EDPAVG2-( )	\$1.35	\$1.20	\$1.10	\$0.95	\$0.85	\$0.80
ZGAVG2-( )	\$1.70	\$1.45	\$1.30	\$1.15	\$1.05	\$1.00

See EDP, and ZG Series for liners.

## ADJUSTABLE DEPTH GROMMET LINER

	1-10	11-49	50-99	100-499	500-999	1000+
SGAD1-( ) (1-3/4" hole)	\$1.95	\$1.75	\$1.60	\$1.40	\$1.25	\$1.20
EDPAD1-( ) (2-1/2" hole)	\$2.20	\$2.00	\$1.80	\$1.60	\$1.45	\$1.40

See SG & EDP Series' for Caps

## CLIPPER GRIPPER - Drill 2-1/2" hole

	1-10	11-49	50-99	100-499	500-999	1000+
EDPCG1-( )	\$2.50	\$2.25	\$2.05	\$1.85	\$1.65	\$1.50

## CORNER GROMMET - Sized for SG liner

Cap size - 2-3/4" x 2-1/8"

Colors: Black (90).

	1-10	11-49	50-99	100-499	500-999	1000+
SG1-( ) Liner	\$1.80	\$1.65	\$1.50	\$1.35	\$1.20	\$1.10
SGCG2-( ) Cap	\$1.15	\$1.00	\$0.90	\$0.85	\$0.80	\$0.70
SGCG3-( ) Set	\$2.95	\$2.65	\$2.40	\$2.20	\$2.00	\$1.80

## EDP IN iMAC COLORS - Drill 2-1/2" hole.

Colors: Translucent Red (61T), Translucent Orange (53T), Translucent Green (60T), Translucent Blue (62T), Trans. Purple (54T) Trans. White (95T). Sold as sets only.

	1-10	11-49	50-99	100-499	500-999	1000+
EDP3-( )	\$4.50	\$4.05	\$3.65	\$3.30	\$2.95	\$2.80

## LAMINATE CAP COVER

	1-10	11-49	50-99	100-499	500-999	1000+
LG3-90	\$4.50	\$4.05	\$3.65	\$3.30	\$2.95	\$2.80

## OTHER GROMMETS

Call us for prices over 1,000 or blanket P.O. prices.

## LARGE OVAL GROMMET - LO Series

Colors: Black (90), Walnut Brown (91), Light Grey (92), Putty (93), and White (95).

Polished Chrome (26), Satin Chrome (26D), Polished Brass (3) sold as sets only.

	1-10	11-49	50-99	100-499	500-999	1000+
LO1-( ) Liner	\$3.30	\$3.05	\$2.75	\$2.50	\$2.15	\$2.05
LO2-( ) Cap	\$1.75	\$1.50	\$1.35	\$1.20	\$1.15	\$0.90
LO3-( ) SET	\$5.05	\$4.55	\$4.10	\$3.70	\$3.30	\$2.95
LO1A-( ) Liner (deep)	\$3.90	\$3.40	\$3.20	\$3.10	\$2.73	\$2.47
LO4-99 Set - Client custom color, 1,000 minimum \$4.45						
LO5-( ) Set Plated	\$21.25	\$21.00	\$19.80	\$19.20	\$17.90	\$16.60

## RECTANGULAR GROMMET - RG Series

Colors: Black (90), Walnut Brown (91), Light Grey (92), Putty (93), and White (95).

Polished Chrome (26), Satin Chrome (26D), Polished Brass (3) sold as sets only.

	1-10	11-49	50-99	100-499	500-999	1000+
RG1-( ) Liner	\$2.10	\$1.90	\$1.70	\$1.50	\$1.35	\$1.30
RG2-( ) Cap	\$1.35	\$1.20	\$1.10	\$1.00	\$0.90	\$0.80
RG3-( ) SET	\$3.45	\$3.10	\$2.80	\$2.50	\$2.25	\$2.10
RG4-99 Set - Client custom color, 1,000 minimum \$2.94						
RG5-( ) Set Plated	\$19.25	\$19.00	\$18.00	\$17.40	\$16.25	\$15.10

# Price List

## MM SERIES - Plated Brass Grommet Raised Above Desktop

Specify: Size - MM3 grommet is 2" OD, goes into 1-3/4" hole.

MM4 grommet is 2-1/2" OD, goes into 2-3/16" hole.

MM5 grommet is 3" OD, goes into 2-3/4" hole.

MM3A liner is 2" OD, goes into 1-7/8" hole.

MM4A liner is 3" OD, goes into 2-3/8" hole.

MM5A liner is 3" OD, goes into 2-7/8" hole.

Finish - Standard in-stock for same day ship are: Polished Chrome (26), Satin Chrome (26D), Black Chrome (21), Matte Black (90), Polished Brass (3), Satin Nickel (17), English Antique (10B), Unfinished (U).

Any custom finish available at moderate upcharge. 25 grommet minimum.

	1-49	50-99	100-499	500-999	1000+
MM3-90, 26, 26D (Cap)	\$10.95	\$10.40	\$9.90	\$9.40	\$8.95
MM3-21, 3, 17, 10B (Cap)	\$11.95	\$11.35	\$10.80	\$10.25	\$9.75
MM3A-90, 26, 26D (Liner)	\$8.95	\$8.50	\$8.10	\$7.70	\$7.30
MM3A-21, 3, 17, 10B (Liner)	\$9.95	\$9.45	\$9.00	\$8.55	\$8.10
MM4-90, 26, 26D (Cap)	\$12.95	\$12.30	\$11.70	\$11.10	\$10.55
MM4-21, 3, 17, 10B (Cap)	\$13.95	\$13.25	\$12.60	\$12.00	\$11.35
MM4A-90, 26, 26D (Liner)	\$10.95	\$10.40	\$9.90	\$9.40	\$8.95
MM4A-21, 3, 17, 10B (Liner)	\$11.95	\$11.35	\$10.80	\$10.25	\$9.75
MM5-90, 26, 26D (Cap)	\$13.95	\$13.25	\$12.60	\$12.00	\$11.35
MM5-21, 3, 17, 10B (Cap)	\$14.95	\$14.20	\$13.50	\$12.85	\$12.20
MM5A-90, 26, 26D (Liner)	\$11.95	\$11.35	\$10.80	\$10.25	\$9.75
MM5A-21, 3, 17, 10B (Liner)	\$12.95	\$12.30	\$11.70	\$11.10	\$10.55

## PS SERIES - Plated Steel Grommet Flush with Desktop

Specify: Size - PS-1(1-3/4"), PS-2(2-1/2") or PS-3(3"); no slot, one cord slot, 2 slots.

Finish - Standard in-stock for same day ship are: Polished Chrome (26),

Satin Chrome (26D), Black Chrome (21), Matte Black (90), Polished Brass (3),

Satin Nickel (17), English Antique (10B), Unfinished (U).

Any custom finish available at moderate upcharge. 25 grommet minimum.

	1-49	50-99	100-499	500-999	1000+
PS-1A-90, 26, 26D (No slot)	\$10.95	\$10.40	\$9.90	\$9.40	\$8.95
PS-1A-21, 3, 17, 10B (No Slot)	\$11.95	\$11.35	\$10.80	\$10.25	\$9.75
PS-1B-90, 26, 26D (5/8" Slot)	\$10.95	\$10.40	\$9.90	\$9.40	\$8.95
PS-1B-21, 3, 17, 10B (5/8" Slot)	\$11.95	\$11.35	\$10.80	\$10.25	\$9.75
PS-1C-90, 26, 26D (2 Slots)	\$10.95	\$10.40	\$9.90	\$9.40	\$8.95
PS-1C-21, 3, 17, 10B (2 Slots)	\$11.95	\$11.35	\$10.80	\$10.25	\$9.75
PS-2A-90, 26, 26D (No Slot)	\$12.95	\$12.30	\$11.70	\$11.10	\$10.55
PS-2A-21, 3, 17, 10B (No Slot)	\$13.95	\$13.25	\$12.60	\$12.00	\$11.35
PS-2B-90, 26, 26D (One Slot)	\$12.95	\$12.30	\$11.70	\$11.10	\$10.55
PS-2B-21, 3, 17, 10B (One Slot)	\$13.95	\$13.25	\$12.60	\$12.00	\$11.35
PS-2C-90, 26, 26D (Two Slots)	\$12.95	\$12.30	\$11.70	\$11.10	\$10.55
PS-2C-21, 3, 17, 10B (2 Slots)	\$13.95	\$13.25	\$12.60	\$12.00	\$11.35
PS-3A-90, 26, 26D (No Slot)	\$13.95	\$13.25	\$12.60	\$12.00	\$11.35
PS-3A-21, 3, 17, 10B (No Slot)	\$14.95	\$14.20	\$13.50	\$12.85	\$12.20
PS-3B-90, 26, 26D (One Slot)	\$13.95	\$13.25	\$12.60	\$12.00	\$11.35
PS-3B-21, 3, 17, 10B (1 Slot)	\$14.95	\$14.20	\$13.50	\$12.85	\$12.20
PS-3C-90, 26, 26D (2 Slots)	\$13.95	\$13.25	\$12.60	\$12.00	\$11.35
PS-3C-21, 3, 17, 10B (2 Slots)	\$14.95	\$14.20	\$13.50	\$12.85	\$12.20

## PG SERIES - Smaller Plated Steel Grommet

Specify: Size - 1-1/2" OD, goes into 1-1/4" hole. Or countersunk 1/8" to seat flush.

Finish - Standard in-stock for same day ship are: Polished Chrome (26),

Satin Chrome (26D), Black Chrome (21), Matte Black (90), Polished Brass (3),

Satin Nickel (17), English Antique (10B), Unfinished (U).

Any custom finish available at moderate upcharge. 25 grommet minimum.

	1-49	50-99	100-499	500-999	1000+
PG2-90, 26, 26D	\$10.95	\$10.40	\$9.90	\$9.40	\$8.95
PG2-21, 3, 4, 10, 10B17,10B	\$11.95	\$11.35	\$10.80	\$10.25	\$9.75

## ALUMINUM BRUSH GROMMET - ABG Series

Finish: Satin Aluminum (94).

	1-49	50-99	100-499	500-999	1000+
ABG3-94	\$45.00	\$42.75	\$40.60	\$39.60	\$38.60

## MG SERIES - Miscellaneous Grommets

Specify: Size - MG1: 1-5/8" OD goes into 1-1/2" hole.

MG2: 1-7/8" OD goes into 1-3/4" hole.

MG3: 2-3/8" OD goes into 2-1/4" hole.

Finish - Satin Aluminum (94), Dark Bronze (15), or Matte Black (90).

Custom Finishes available

	1-49	50-99	100-499	500-999	1000+
MG1-( )	\$5.75	\$5.50	\$5.20	\$4.95	\$4.75
MG2-( )	\$6.50	\$6.20	\$5.90	\$5.60	\$5.35
MG3-( )	\$7.25	\$6.90	\$6.55	\$6.25	\$6.05

NOTE: Special sizes can be made with minimum order of 500. Contact us for pricing.

## "CLOVER" GROMMET - CLVR Series

Specify: Size - CLVR1: 2-19/32" OD, goes into a 2-3/8" hole.

CLVR2: 3-3/8" OD, goes into a 3-5/32" hole.

Finish - Liner is Metallic Silver (23), Polished Chrome (26), or Satin Nickel (17);

cap is black rubber.

	1-49	50-99	100-499	500-999	1000+
CLVR1-( )	\$10.00	\$9.75	\$9.55	\$9.30	\$9.10
CLVR2-( )	\$12.00	\$11.70	\$11.45	\$11.20	\$10.95

## "GRIN" GROMMET - GRN Series

Specify: Size - GRN1: 2-5/8" OD, goes into a 2-11/32".

GRN2: 3-3/8" OD, goes into a 3-1/8" hole.

Finish - Metallic Silver (23), Polished Chrome (26), or Satin Nickel (17).

	1-49	50-99	100-499	500-999	1000+
GRN1-( )	\$15.00	\$14.65	\$14.30	\$13.95	\$13.65
GRN2-( )	\$17.00	\$16.60	\$16.20	\$15.80	\$15.45

## "LUNA" GROMMET - LNA Series

Specify: Size - LNA1: 2-5/8" OD, goes into a 2-11/32" hole.

LNA2: 3-3/8" OD, goes into 3-1/8" hole.

Color - Black (90), Grey (92), White (95).

	1-49	50-99	100-499	500-999	1000+
LNA1-( )	\$3.75	\$3.65	\$3.60	\$3.50	\$3.40
LNA2-( )	\$4.50	\$4.40	\$4.30	\$4.20	\$4.10

## INNOVATOR GROMMET - INNV Series

Specify: Size - INNV1: 4-1/8" long by 3-1/2" wide.

INNV2: 5-1/8" long by 3-1/2" wide.

Finish - Base: Charcoal only

Cap: Charcoal (92C) or Metallic Silver (23).

	1-49	50-99	100-499	500-999	1000+
INNV1-( )	\$4.25	\$4.15	\$4.05	\$3.95	\$3.85
INNV2-( )	\$5.00	\$4.85	\$4.75	\$4.65	\$4.50



## POP-UP GROMMET

Colors: Matte Black (90) or Light Grey (92).

	1-49	50-99	100-499	500-999	1000+
PU3-( )	\$4.45	\$4.20	\$3.80	\$3.40	\$2.95

## S/S SERIES - Sherman/Stathis Grommet

Specify: Size - **S/S3:** 2" OD goes into 1-3/4" hole.

**S/S3A:** 3" OD goes into 2-3/4" hole.

Color - Black (90), Walnut Brown (91), Light Grey (92), Putty (93), and White (95).

	1-10	11-49	50-99	100-499	500-999	1000+
SS3-( )	\$3.50	\$3.15	\$2.85	\$2.60	\$2.30	\$2.20
SS3-99 - Client custom color, 1,000 minimum	\$2.97					
SS3A-( )	\$3.95	\$3.55	\$3.20	\$2.90	\$2.60	\$2.45
SS3A-99 - Client custom color, 1,000 minimum	\$3.45					

## JUNCTION BOX GROMMET - JB Series

Specify: Size - **JB1:** 5-1/4" sq. OD fits into 4-13/16" sq. hole.

**JB2:** 5" x 3" OD, fits into 4-1/2" x 2-5/8" hole.

Color - Black (90), Walnut Brown (91), Light Grey (92), Putty (93), and White (95).

	1-10	11-49	50-99	100-499	500-999	1000+
JB1-( )	\$3.50	\$3.15	\$2.85	\$2.60	\$2.30	\$2.20
JB2-( )	\$2.50	\$2.25	\$2.05	\$1.85	\$1.65	\$1.55

## TRASH MANAGEMENT GROMMET - TM Series

Specify Color: TM1 Plastic: Black (90), Walnut Brown (91), Light Grey (92), Putty (93), White (95), Hazmat Red (RED)

**TM1-PSS, TM2-PSS:** Polished Stainless Steel

**TM1A-PSS** is Polished Stainless Steel, 6" deep and goes into a 6" diameter hole

	1-10	11-49	50-99	100-499	500-999	1000+
TM1-( ) Plastic	\$3.50	\$3.15	\$2.85	\$2.60	\$2.30	\$2.20

**TM4-( )** Plastic, Client custom color, 1,000 minimum \$2.96

	1-49	50-99	100-499	500+
TM1PSS (6" hole x 1" deep)	\$19.75	\$18.75	\$17.80	\$16.90
TM1APSS (6" hole x 6" deep)	\$35.00	\$33.25	\$31.50	\$30.00
TM1BPSS (6" hole x 2" deep)	\$24.00	\$22.80	\$21.65	\$20.50
TM2PSS (8" hole x 1" deep)	\$24.00	\$22.80	\$21.65	\$20.50
TM2BPSS (8" hole x 2" deep)	\$32.00	\$30.40	\$28.85	\$27.40

## TRASH MANAGEMENT GROMMET LIDS - TM Series Lids

Finish: Matte Black (90) or Polished Stainless Steel (PSS)

Note: Lids fit 6" liner only

	1-49	50-99	100-499	500+
TMLID1-90 (Matte Black)	\$11.75	\$11.25	\$10.55	\$9.85
TMLID1-PSS			\$21.00	\$19.50

## WOOD GROMMETS - WG Series

Specify: Size - **WG2** is 2-1/4" OD, goes into a 1-3/4" hole.

**WG3** is 3" OD, goes into a 2-1/2" hole.

Wood - Oak (81), Walnut (82) or Maple (83)

	1-99	100-499	500-999	1000+
WG2-( )	\$4.25	\$4.00	\$3.80	\$3.65
WG3-( )	\$4.50	\$4.25	\$4.10	\$3.85
WG4-( )	\$8.75	\$8.30	\$7.90	\$7.50
WG5-( )	\$10.45	\$9.90	\$9.45	\$8.95
WG6-( )	\$11.00	\$10.45	\$9.95	\$9.45
WG7-( )	\$13.20	\$12.50	\$11.90	\$11.30

## FLOOR ACCESS GROMMETS

Specify: Color - Black (90) or Medium Grey (92)

Size - See pages 43-45

	1-49	50-99	100-499	500-999	1000+
FG3-( )	\$4.95	\$4.70	\$4.50	\$4.25	\$3.95
FG3A-( )	\$7.25	\$6.90	\$6.55	\$6.20	\$5.65
FG3B-( )	\$19.95	\$18.95	\$18.00	\$17.10	\$15.45
FG4-( )	\$12.00	\$11.70	\$11.40	\$11.15	\$10.85
FG5-( )	\$27.00	\$26.30	\$25.65	\$25.00	\$24.40
FG6-90	\$160.00	\$156.00	\$152.10	\$148.30	\$144.60
FG7-( )	\$99.00	\$96.50	\$94.10	\$91.75	\$89.50
FG8-( )	\$115.00	\$112.15	\$109.35	\$106.60	\$103.95

NOTE: Contact us for other sizes

## COMPUTER INTO DESK pages 47-67

### FLAT SCREEN ARMS

Attaches to plate on back of most flat screen monitors

	1-11	12-24	25-49	50-99	100+
FSA1-23	\$270.00	\$263.25	\$256.65	\$250.25	\$244.00
FSA1/2V-23	\$540.00	\$526.50	\$513.35	\$500.50	\$488.00
FSA1/2H-23	\$540.00	\$526.50	\$513.35	\$500.50	\$488.00
FSA1/4V-23	\$1,080.00	\$1,053.00	\$1,026.65	\$1,001.00	\$975.75
FSA1/4H-23	\$1,080.00	\$1,053.00	\$1,026.65	\$1,001.00	\$975.75
FSA1/8-23	\$2,160.00	\$2,106.00	\$2,053.35	\$2,002.00	\$1,951.95

Laptop options: Call for pricing

## PERSONAL SCREENS

Specify: Screen - Black Perforated Metal.

Custom colors and finishes available.

Size - Custom sizes and shapes available.

**PSCR1-90**

**PSCR3-90** Call for prices on all PSCR Series

**PSCR5-90**

**PSCR6-90**

## MONITOR SHELF

Specify: Finish - Matte Black (90) or Greige (96).

Size - Small fits most 13" to 15" monitors. Large fits most 17" and some 21".

Extra large fits most 21" monitors.

	1-11	12-24	25-49	50-99	100+
MS1K-( ) (small)	\$69.00	\$66.00	\$62.00	\$59.00	\$55.00
MS2K-( ) (large)	\$79.00	\$75.00	\$71.00	\$67.00	\$63.00
MS3K-( ) (extra large)	\$87.00	\$82.00	\$77.00	\$73.00	\$69.00

## MONITOR SHROUD

Specify: Finish - Matte Black (90), Greige (96).

Size - Small fits most 13" to 15" monitors. Large fits most 17" and some 21".

	1-11	12-24	25-49	50-99	100+
MS1A-( ) (small)	\$79.00	\$75.00	\$71.00	\$67.00	\$63.00
MS2A-( ) (large)	\$89.00	\$85.00	\$80.00	\$76.00	\$71.00

## COMPUTER TUB

Colors: Black (90) or Light Grey (92). Sizes: see pages 54-55

	1-11	12-24	25-49	50-99	100+
TB1-(90)	\$152.00	\$148.20	\$140.75	\$133.75	\$127.00
TB1-(92)	\$160.00	\$156.00	\$148.20	\$140.75	\$133.75
TB2-(90)	\$125.00	\$121.85	\$115.75	\$110.00	\$104.50
TB2-(92)	\$135.00	\$131.60	\$125.00	\$118.75	\$112.85
TB6-(90)	\$200.00	\$190.00	\$185.00	\$180.00	\$171.00

# Price List

## DRAWERS FOR COMPUTER FURNITURE

### DWR Series

	1-11	12-24	25-49	50-99	100+
DWR1-90	\$180.00	\$171.00	\$162.45	\$154.30	\$146.50
DWR2-90	\$235.00	\$223.25	\$212.10	\$201.50	\$191.40
DWR3-90	\$205.00	\$194.75	\$185.00	\$175.75	\$167.00

### KEYBOARD PLATFORMS - KP Series

	1-11	12-24	25-49	50-99	100+
KP1-90	\$262.00	\$248.00	\$236.40	\$224.50	\$213.40
KP2-90	\$307.00	\$291.65	\$277.00	\$266.00	\$250.00
KP3-90	\$326.00	\$309.70	\$294.00	\$279.50	\$265.50
KP4-90	\$262.00	\$248.90	\$236.45	\$224.60	\$213.40
KP5-90	\$283.00	\$268.85	\$262.00	\$255.50	\$249.00

### MOUSE SUPPORT - KPA Series

Color: Matte Black (90)

	1-11	12-24	25-49	50-99	100+
KPA1	\$45.00	\$40.50	\$36.45	\$34.63	\$32.90
KPA2	\$75.00	\$67.50	\$60.75	\$57.71	\$54.83
KPA3	\$120.00	\$108.00	\$97.20	\$92.34	\$87.72
KPA4	\$75.00	\$67.50	\$60.75	\$57.71	\$54.83

### KEYBOARD HOLSTER

Color: Matte Black (90)

KH1-90	Call for pricing				
--------	------------------	--	--	--	--

### UNIVERSAL CPU HOLDER - CPU Series

Finish: Black (90) or Greige (96)

	1-49	50-99	100-499	500+
CPU1A-( )* (no slides)	\$72.00	\$68.40	\$65.00	\$61.75
CPU2A-( )* (with slides)	\$88.00	\$83.60	\$79.40	\$75.45
CPU3A-( )* (with casters)	\$86.00	\$81.70	\$77.60	\$73.75
CPU4A-( )* (with turntable)	\$153.00	\$145.35	\$138.10	\$131.20
CPU6A-( )**	\$80.00	\$76.00	\$72.20	\$68.60
CPU7A-( )	\$86.00	\$81.70	\$79.65	\$77.65

\*NOTE: CPU Holders are shipped unassembled. For assembly, add \$5.00 per unit.

\*\*Finishes for CPU6; Metallic Silver (23), Matte Black (90), and Greige (96). Additional charge custom finishes include; Crystallite Chrome (26D), or Matte Nickel (17M)

### HOT FILE MANAGER

Color: Textured Matte Black (90).

	1-11	12-24	25-49	50-99	100+
FM1-90	\$48.00	\$45.60	\$43.30	\$42.00	\$40.95

### WIRE HOUSE

Color: Matte Black (90)

	1-11	12-24	25-49	50-99	100+
WH1-90	\$58.00	\$55.00	\$52.00	\$49.00	\$46.00

## PAPER SLOT GROMMET - CP Series

Specify: Color - Black (90), Walnut Brown (91), Light Grey (92), Putty (93), White (95)

CP1 is for large 15" wide computer paper

Size: 17-1/2" x 2-1/4" wide, goes into 17" x 1-3/4" slot.

CP2 is for smaller 9-1/2" wide paper.

Size: 12-1/2" x 2-1/4" wide, goes into 12" x 1-3/4" slot.

CP3 is for small label printers. Available in Black (90) only.

Size: 6-11/32" x 1-11/32" wide, goes into 6" x 1" slot.

	1-10	11-49	50-99	100-499	500-999	1000+
CP1-( )	\$3.50	\$3.15	\$2.85	\$2.60	\$2.35	\$2.20
CP1A-( ) - Client custom color, 1,000 piece minimum	\$3.50					
CP2-( )	\$3.00	\$2.70	\$2.45	\$2.20	\$2.00	\$1.90
CP2A-( ) - Client custom color, 1,000 piece minimum	\$3.00					
CP3-90	\$2.75	\$2.50	\$2.25	\$2.00	\$1.80	\$1.70
CP3A-( ) - Client custom color, 1,000 piece minimum	\$2.75					

## AIR VENT GRILLS - GT Series pages 68-69

Made to order from 4" x 4" and up. To calculate price, multiply length of cut-out hole by width, in inches. See price below. 4 week lead time. Custom finishes available. Colors: Black (90), Light Grey (92), White (95).

	16-50"	51-100"	101-150"	151-200"	201-250"	251-300"
GT-( )	\$32.35	\$45.05	\$56.60	\$65.85	\$78.55	\$88.45

300" and up - Please call for quote

## WOODEN AIR VENT GROMMET COVER

### WGAVG Series

Specify: Wood - Beech (87), Cherry (86), Maple (83), Oak (81)

Size - WGAVG/A: 3-17/32" goes into a 3-1/8" hole

WGAVG/B: 4-23/32" goes into a 4-5/16" hole

	1-11	12-24	25-49	50-99	100+
WGAVG/A-( )	\$14.00	\$13.65	\$13.30	\$13.00	\$12.65
WGAVG/B-( )	\$16.00	\$15.65	\$15.30	\$15.00	\$14.65

## MEDIA STORAGE pages 70-72

### CD STORAGE UNITS - CDH Series

Finished in Satin Aluminum (94) with light grey ABS shelves except CDH1.

Specify Size - CDH1: Holds 17 CDs/Zip Discs.

CDH2: Holds 27 CDs.

CDH3: Holds 45 CDs.

CDH4(horizontal) : Stores 70 CD/DVD's on 10 shelves

CDH5(vertical): Stores 70 CD/DVD's on 10 shelves

CDH6(vertical mount only): Stores 98 CD/DVD's on 14 shelves

	1-11	12-24	25-49	50-99	100+
CDH1-( )*	\$88.00	\$83.60	\$79.40	\$74.45	\$71.65
CDH2-94	\$46.00	\$44.85	\$43.75	\$42.65	\$41.60
CDH3-94	\$65.00	\$63.40	\$61.80	\$60.25	\$58.75
CDH4-94	\$420.00	\$409.50	\$399.25	\$389.30	\$380.00
CDH5-94	\$390.00	\$380.25	\$370.75	\$361.50	\$352.40
CDH6-94	\$463.00	\$451.45	\$440.15	\$429.15	\$418.40

\*CDH1 is made of metal and finished in Matte Black (90) or Metallic Silver (23)

## CC SERIES - Storage Cabinet

Finish: Satin Aluminum (94)

Specify Size - CC1A: 34" high x 12-7/8" wide.

CC2A: 41-7/8" high x 12-7/8" wide.

CC3A: 66-1/2" high x 12-7/8" wide.

	1-11	12-24	25-49	50-99	100+
CC1A-94	\$250.00	\$237.50	\$231.50	\$226.00	\$220.25
CC2A-94	\$465.00	\$453.35	\$442.05	\$430.95	\$420.20
CC3A-94	\$644.00	\$627.90	\$612.20	\$596.90	\$581.95

## WIRE MANAGEMENT pages 73-88

Specify: Style

Color (We will run any custom color, cut to any length you desire with minimum order of 2,500'. No upcharge in price.)

Cut length: Sold by the foot except where noted. Priced per foot, calculate to next higher foot if not in even foot length.

**NOTE:** Packages over 60" in length incur oversized shipping charges. We encourage ordering small quantities in lengths under 4' to save on shipping charges as well as prevent breakage in transit.

### WM1

Colors: Black (90), Walnut Brown (91), Light Grey (92)

	1'-24'	25'-99'	100'-249'	250'-499'	500'-999'	1000'+
WM1-( )	\$3.45	\$3.10	\$2.80	\$2.50	\$2.30	\$2.15

### WM2/WM2A

Colors: Black (90), Walnut Brown (91), Light Grey (92), Putty (93) on WM2 only

	1'-24'	25'-99'	100'-249'	250'-499'	500'-999'	1000'+
WM2-( )	\$2.50	\$2.25	\$2.00	\$1.80	\$1.65	\$1.50
WM2A-( )	\$3.00	\$2.70	\$2.40	\$2.20	\$1.95	\$1.85

### WM3

Colors: Black (90), Walnut Brown (91), Light Grey (92)

	1'-24'	25'-99'	100'-249'	250'-499'	500'-999'	1000'+
WM3-( )	\$2.85	\$2.55	\$2.30	\$2.10	\$1.85	\$1.75

### WM4

Specify: Horizontal or vertical installation (if we install tape)

Color - Black (90), Light Grey (92)

	1'-24'	25'-99'	100'-249'	250'-499'	500'-999'	1000'+
WM4-( )	\$2.85	\$2.55	\$2.30	\$2.10	\$1.85	\$1.75

### WM6

Colors: Black (90), Light Grey (92), Putty (93)

	1'-24'	25'-99'	100'-249'	250'-499'	500'-999'	1000'+
WM6-( )	\$2.40	\$2.05	\$1.85	\$1.65	\$1.50	\$1.40
WM6-26/( ) 26" length -	\$3.50 each					

### WM7

Color: Black (90). Price each

	1-99	100-499	500-999	1000+
WM7-90	\$3.50	\$3.15	\$2.80	\$2.50

### WM8/WM8A

Color: Black (90)

	1'-24'	25'-99'	100'-249'	250'-499'	500'-999'	1000'+
WM8-90	\$3.60	\$3.25	\$2.90	\$2.65	\$2.35	\$2.25
WM8A-90	\$2.50	\$2.25	\$2.00	\$1.80	\$1.65	\$1.50

### WM9

Color: Black (90)

	1'-24'	25'-99'	100'-249'	250'-499'	500'-999'	1000'+
WM9-90	\$3.00	\$2.70	\$2.40	\$2.20	\$1.95	\$1.85

### WM10

Colors: Black (90), Walnut Brown (91), White (95)

	1'-24'	25'-99'	100'-249'	250'-499'	500'-999'	1000'+
WM10-( )	\$3.00	\$2.70	\$2.40	\$2.20	\$1.95	\$1.85

### WM11

Specify: Size - WM11: 4-3/4" with 1-1/2" diameter

WM11A: 6" with 2" diameter

Color - Black (90) only

	1'-24'	25'-99'	100'-249'	250'-499'	500'-999'	1000'+
WM11-90	\$3.00	\$2.70	\$2.40	\$2.20	\$1.95	\$1.85
WM11A-90	\$3.30	\$2.95	\$2.65	\$2.40	\$2.15	\$2.05

### WM12

Colors: Black (90), Light Grey (92) or Bright Yellow (97)

	1'-24'	25'-99'	100'-249'	250'-499'	500'-999'	1000'+
WM12-( )	\$4.75	\$4.25	\$3.95	\$3.52	\$3.30	\$3.15

### WM13 - Corner Raceway

Colors: Matte Black (90), Light Grey (92) or White (95)

	1'-24'	25'-99'	100'-249'	250'-499'	500'-999'	1000'+
WM13-( )	\$3.95	\$3.55	\$3.20	\$2.90	\$2.75	\$2.60

NOTE: Comes with double-sided tape

### DOUBLE-SIDED FOAM TAPE

Roll of Double-Sided Foam Tape, 216" long \$35.00 ea. Installed: \$0.35 per ft.

Except WM8 and WM9 which require 2 pieces: \$0.70 per ft.

### WM14/WM14S

Colors: Black (90) or Translucent Mocha (91T)

	1-49	50-99	100-499	500+
WM14( )	\$17.00	\$16.15	\$15.75	\$15.35
WM14S-90 (w/ weight) Black only	\$13.00	\$12.35	\$12.00	\$11.70

### WM15

Color: Black (90)

	1-49	50-99	100-499	500+
WM15-90	\$13.00	\$12.35	\$12.05	\$11.75

NOTE: Ships unassembled. Can be assembled at an up charge of \$1.50.

### WM16

Colors: Translucent White (95T), Translucent Yellow (97T), Translucent Orange (53T), Translucent Green (60T), Metallic Silver (23), Black (90)

	1-49	50-99	100-499	500+
WM16-( ) (Trans. color)	\$32.00	\$30.40	\$29.65	\$28.90
WM16-90/23	\$24.00	\$22.80	\$22.25	\$21.65

NOTE: For extra links, call for pricing.

### WM17

Specify: Color - Clear (00) or Matte Black (90)

Size - WM17/1: 12" long with 2 suction cups WM17/2: 24" long with 2 suction cups

WM17/3: 36" long with 3 suction cups WM17/4: 48" long with 4 suction cups

WM17/5: 60" long with 5 suction cups WM17/6: 72" long with 6 suction cups

	1-10	11-249	250-499	500+
WM17/1	\$3.00	\$2.50	\$2.00	\$1.90
WM17/2	\$6.00	\$5.00	\$4.00	\$3.80
WM17/3	\$9.00	\$7.50	\$6.00	\$5.70
WM17/4	\$12.00	\$10.00	\$8.00	\$7.60
WM17/5	\$15.00	\$12.50	\$10.00	\$9.50
WM17/6	\$18.00	\$15.00	\$12.00	\$11.40

# Price List

## WM18

Colors: Grey (92), Orange (53), Translucent Orange (53T), Translucent Green (60T), Translucent Blue (62T), Purple (54)

	1-11	12-24	25-49	50-99	100+
WM18-( )	\$2.50	\$2.40	\$2.35	\$2.30	\$2.25

## WM19

Colors: Grey (92), Orange (53), Translucent Orange (53T), Translucent Green (60T), Translucent Blue (62T), Purple (54)

	1-11	12-24	25-49	50-99	100+
WM19-( )	\$3.50	\$3.40	\$3.35	\$3.30	\$3.25

## WM20

Colors: Metallic Silver (23), Charcoal Grey (92G), Translucent White (95T), Translucent Red (66T), Translucent Orange (53T), Translucent Blue (62T)

	1-11	12-24	25-49	50-99	100+
WM20-23, 92G	\$25.00	\$24.40	\$23.75	\$23.20	\$22.60
WM20-95T, 66, 53T, 62T	\$28.00	\$27.25	\$26.50	\$25.80	\$24.95

## WM21

Colors: Black (90) only.

	1-11	12-24	25-49	50-99	100+
WM21-90	\$27.00	\$25.65	\$24.35	\$23.15	\$22.00

## CL SERIES - Clean Line Wire Management System

End Caps Ordered Separately.

Set consists of 2 end caps and 2 liners. Order 1 set per length of extrusion.

Extrusion: Priced per ft; round up to the next full foot length.

Colors: Black (90), Walnut Brown (91), Light Grey (92)

	1-10	11-49	50-99	100-499	500-999	1000+
CLECS-( ) End Cap Set	\$2.50	\$1.98	\$1.78	\$1.60	\$1.41	\$1.34
	1'-24'	25'-99'	100'-249'	250'-499'	500'-999'	1000'+
CL-( ) Extrusion	\$3.45	\$2.95	\$2.40	\$2.25	\$2.15	\$2.05

## DESKTOP WIRE MANAGER

Color: Black (90) only

Custom lengths available

Holes optional (prices shown are with NO holes)

	1'-24'	25'-249'	250'-499'	500'-999'	1000'+
EXG1-90 per ft.	\$4.00	\$3.60	\$3.25	\$3.10	\$2.95

## SUPPORT BRACKET/WIRE MANAGER

Specify: Support Bracket alone or with extrusion and brush.

Finish - Support Bracket; Matte Black (90) or Satin Aluminum (94)

Plastic Extrusion; Black (90) or Light Grey (92). Custom finishes/colors available.

Brush comes in Black (90) only.

Length - 6' lengths in stock. Custom lengths available.

	1-24	25-49	50-99	100+
SB6-( ) Support Bracket	\$52.00	\$49.40	\$46.95	\$44.60
	1-49	50-499	500+	
SBXB6-( ) Extrusion & Brush	\$23.00	\$20.75	\$18.64	

## BRUSH WIRE MANAGER - BR Series

Order Options: 1) Kit ready to install.

2) Brush Grommet & Extrusion (you cut to fit).

3) Brush Grommet alone (you cut to fit).

Colors: Brush - Black (90) only.

Extrusion - Black (90), Brown (91) or Grey (92).

	1' sides	2' sides	3' sides	4' sides	5' sides	6' sides
	BRKIT1-( )	BRKIT2-( )	BRKIT3-( )	BRKIT4-( )	BRKIT5-( )	BRKIT6-( )
KIT: BRKIT	\$12.00	\$24.00	\$36.00	\$48.00	\$60.00	\$72.00

Call for quantity pricing

	1-49	50-499	500+
BREXT6-( )	\$23.00	\$20.75	\$18.64
6' Brush w/ extrusion			
BR6-90 6' Brush only	\$18.00	\$15.50	\$13.94
BR1-90 Per foot lengths, brush strip only.		\$4.00 per foot	
EXT1-( ) Per foot lengths, extrusion only.		\$1.00 per foot	

## COAT HOOKS pages 90-100

Color/Finishes: See pages 90-100 for finish options.

	1-49	50-99	100-499	500+
CH1-( )	\$21.00	\$19.95	\$18.90	\$17.85
CH1K-( )	\$66.00	\$62.70	\$59.40	\$56.00
CH2-( )	\$18.00	\$17.10	\$16.20	\$15.30
CH3-( )	\$21.00	\$19.95	\$18.90	\$17.85
CH5-( )	\$12.00	\$11.40	\$10.80	\$10.20
CH6-( )	\$100.00	\$95.00	\$90.00	\$85.00
CH7-( )	\$32.00	\$30.40	\$28.80	\$27.20
CH9-( )	\$18.00	\$17.10	\$16.20	\$15.30
CH10-( )	\$26.00	\$24.70	\$23.50	\$22.80
CH11-( )	\$26.00	\$24.70	\$23.50	\$22.80
CH12-( )	\$42.00	\$40.00	\$37.90	\$36.50
CH12A-( )	\$34.00	\$32.30	\$30.65	\$29.00
CH13-( )	\$17.00	\$16.50	\$16.00	\$15.50
CH13K-( )	\$75.00	\$71.25	\$67.70	\$64.30
CH14A-( )	(See pricing for DP48A)			
CH14B-( )	(See pricing for DP48B)			
CH14C-( )	(See pricing for DP48C)			
CH14D-( )	(See pricing for DP48D)			
CH15-( )	\$13.00	\$12.35	\$12.00	\$11.70
CH15A-( )	\$4.00	\$3.80	\$3.70	\$3.60
CH16-( )	\$24.00	\$22.80	\$21.65	\$20.50
CH17-( )	\$54.00	\$51.30	\$50.00	\$48.75
CH19-( )	\$2.45	\$2.35	\$2.20	\$2.10
CH20-( )	\$5.50	\$5.35	\$5.20	\$5.00
CH21-( )	\$6.50	\$6.15	\$5.85	\$5.50
CH22-( )	\$55.00	\$53.60	\$52.30	\$51.00
CH23A-( )	\$12.00	\$11.70	\$11.40	\$11.15
CH23-( )	\$16.00	\$15.60	\$15.20	\$14.85
CH24-( )	\$37.00	\$36.10	\$35.20	\$34.30
CH25-( )	\$64.00	\$62.40	\$60.85	\$59.30
CH26A-( )	\$79.00	\$77.00	\$75.10	\$73.25
CH26B-( )	\$133.00	\$129.70	\$126.45	\$123.25
CH27A-( )	\$268.00	\$261.30	\$254.75	\$248.40
CH27B-( )	\$1895.00	\$1838.00	\$1783.00	\$1738.00
CH28-( )	\$107.00	\$104.35	\$101.70	\$99.20

## FURNIPART pages 102-105

See website for pricing

## DRAWER PULLS pages 106-134

See Catalog pages 106-134 for finish colors.

	<u>1-99</u>	<u>100-499</u>	<u>500-999</u>	<u>1000+</u>
DP1-90, 26, 26D (Pull 4-1/8")	\$8.45	\$8.05	\$7.65	\$7.25
DP1-21, 3, 17, 10B (Pull 4-1/8")	\$9.45	\$8.95	\$8.50	\$8.10
DP1A-90, 26, 26D (Pull 2-1/4")	\$7.45	\$7.10	\$6.75	\$6.40
DP1A-21, 3, 17, 10B (Pull 2-1/4")	\$8.45	\$8.05	\$7.65	\$7.25
DP1B-90, 26, 26D (Pull 6")	\$9.45	\$8.95	\$8.50	\$8.10
DP1B-21, 3, 17, 10B (Pull 6")	\$10.45	\$9.90	\$9.40	\$8.95
DP2-90, 26, 26D (Knob)	\$7.95	\$7.55	\$7.15	\$6.80
DP2-21, 3, 10B, 17 (Knob)	\$8.95	\$8.50	\$8.10	\$7.70
DP2A-90, 26, 26D (Knob)	\$8.95	\$8.50	\$8.10	\$7.70
DP2A-21, 3, 10B, 17 (Knob)	\$9.95	\$9.45	\$8.95	\$8.50
DP3-90, 26, 26D (Tab)	\$7.45	\$7.10	\$6.75	\$6.40
DP3-21, 3, 10B, 17 (Tab)	\$8.45	\$8.05	\$7.65	\$7.25
DP3A-90, 26, 26D (Tab)	\$9.95	\$9.45	\$8.95	\$8.50
DP3A-21, 3, 17, 10B (Tab)	\$10.95	\$10.40	\$9.90	\$9.40
DP3B-90, 26, 26D (Tab)	\$10.95	\$10.40	\$9.90	\$9.40
DP3B-21, 3, 17, 10B (Tab)	\$11.95	\$11.35	\$10.80	\$10.25
NOTE: Tab can be made any width. Call for price.				
DP4-90, 26, 26D (Knob)	\$7.95	\$7.55	\$7.15	\$6.80
DP4-21, 3, 17, 10B (Knob)	\$8.95	\$8.50	\$8.10	\$7.70
DP4A-90, 26, 26D (Knob)	\$8.95	\$8.50	\$8.10	\$7.70
DP4A-21, 3, 17, 10B (Knob)	\$9.95	\$9.45	\$8.95	\$8.50
DP6-90, 26, 26D (Pull)	\$7.95	\$7.55	\$7.15	\$6.80
DP6-21, 3, 17, 10B (Pull)	\$8.95	\$8.50	\$8.10	\$7.70
DP7A-( )	\$7.95	\$7.55	\$7.15	\$6.95
DP7B-( )	\$8.45	\$8.05	\$7.65	\$7.45
DP7C-( )	\$8.95	\$8.50	\$8.10	\$7.90
DP7D-( )	\$9.45	\$8.95	\$8.50	\$8.30
DP10A-( )	\$3.50	\$3.30	\$3.15	\$3.10
DPBPA-( ) Optional Base	\$0.60	\$0.55	\$0.50	\$0.47
DP10B-( )	\$3.75	\$3.55	\$3.35	\$3.30
DPBPB-( ) Optional Base	\$0.80	\$0.75	\$0.70	\$0.68
DP11-( )	\$4.25	\$4.05	\$3.90	\$3.80
DP12-( )	\$4.00	\$3.80	\$3.70	\$3.65
DP12IS-( ) Insert	\$0.75	\$0.70	\$0.65	\$0.62
DP13-( )	\$3.50	\$3.30	\$3.15	\$3.10
DP14A-( )	\$4.25	\$4.05	\$3.90	\$3.80
DP14B-( )	\$4.25	\$4.05	\$3.90	\$3.80
DP15A-( )	\$2.75	\$2.60	\$2.50	\$2.45
DP15B-( )	\$3.50	\$3.30	\$3.15	\$3.10
DP15C-( )	\$4.00	\$3.80	\$3.70	\$3.65
DP16-( )	\$3.00	\$2.85	\$2.75	\$2.70
DP17A-( )	\$4.25	\$4.05	\$3.90	\$3.80
DP17B-( ) Optional Bezel	\$0.75	\$0.71	\$0.68	\$0.65
DP18A-( )	\$7.80	\$7.40	\$7.05	\$6.90
DP18B-( )	\$8.15	\$7.75	\$7.35	\$7.15
DP18C-( )	\$8.85	\$8.40	\$8.00	\$7.80
DP27-( )	\$4.50	\$4.25	\$4.15	\$4.05
DP27P-( )	included in price			
DP28-( )	\$4.00	\$3.80	\$3.70	\$3.65
DP28P-( )	included in price			
DP29-( )	\$3.00	\$2.85	\$2.75	\$2.70
DP29P-( )	included in price			
DP30A-( )	\$4.75	\$4.50	\$4.25	\$4.15
DP30B-( )	\$7.50	\$7.15	\$6.90	\$6.75
DP31-( )	\$6.50	\$6.20	\$5.90	\$5.75
DP32A-( )	\$7.50	\$7.15	\$6.80	\$6.65
DP32B-( )	\$9.75	\$9.25	\$8.80	\$8.65
DP33A-( )	\$7.50	\$7.15	\$6.80	\$6.65
DP33B-( )	\$8.50	\$8.10	\$7.70	\$7.50

	<u>1-99</u>	<u>100-499</u>	<u>500-999</u>	<u>1000+</u>
DP33C-( )	\$9.50	\$9.05	\$8.60	\$8.40
DP33D-( )	\$10.50	\$9.95	\$9.50	\$9.25
DP33E-( )	\$17.00	\$16.15	\$15.70	\$15.30
DP34A-( )	\$7.50	\$7.15	\$6.80	\$6.65
DP34B-( )	\$9.50	\$9.05	\$8.60	\$8.40
DP35A-( )	\$7.50	\$7.15	\$6.80	\$6.65
DP35B-( )	\$9.50	\$9.05	\$8.60	\$8.40
DP36A-( )	\$6.50	\$6.20	\$5.90	\$5.75
DP36B-( )	\$7.80	\$7.40	\$7.05	\$6.90
DP36C-( )	\$8.85	\$8.40	\$8.00	\$7.80
DP36D-( )	\$9.50	\$9.05	\$8.60	\$8.40
DP36E-( )	\$10.50	\$9.95	\$9.50	\$9.25
DP37-( )	\$4.50	\$4.25	\$4.15	\$4.05
DP38-( )	\$8.50	\$8.10	\$7.70	\$7.50
DP38A-( )	\$3.85	\$3.75	\$3.65	\$3.60
DP38B-( )	\$8.50	\$8.10	\$7.70	\$7.50
DP38C-( )	\$9.00	\$8.75	\$8.55	\$8.35
DP39A-( )	\$6.50	\$6.20	\$5.90	\$5.75
DP39B-( )	\$9.50	\$9.05	\$8.60	\$8.40
DP40A-( )	\$7.00	\$6.65	\$6.30	\$6.15
DP40B-( )	\$10.50	\$9.95	\$9.70	\$9.45
DP41A-( )	\$4.25	\$4.05	\$3.90	\$3.80
DP41B-( )	\$4.75	\$4.50	\$4.25	\$4.15
DP41C-( )	\$6.00	\$5.70	\$5.40	\$5.30
DP41D-( )	\$7.00	\$6.65	\$6.45	\$6.30
DP42A-( )	\$4.00	\$3.80	\$3.60	\$3.50
DP42B-( )	\$4.75	\$4.50	\$4.30	\$4.20
DP42C-( )	\$5.80	\$5.50	\$5.25	\$5.15
DP42D-( )	\$7.00	\$6.65	\$6.45	\$6.30
DP43A-( )	\$7.25	\$6.90	\$6.55	\$6.40
DP43B-( )	\$7.75	\$7.35	\$7.00	\$6.85
DP43C-( )	\$8.25	\$7.85	\$7.45	\$7.30
DP44-( )	\$7.50	\$7.10	\$6.90	\$6.75
DP45A-( )	\$14.00	\$13.30	\$12.95	\$12.65
DP45B-( )	\$22.00	\$20.90	\$20.35	\$19.85
DP46A-( )	\$6.05	\$5.75	\$5.45	\$5.35
DP47A-( )	\$5.75	\$5.45	\$5.30	\$5.20
DP47B-( )	\$8.75	\$8.30	\$8.05	\$7.85
DP47C-( )	\$18.00	\$17.10	\$16.65	\$16.25
DP47D-( )	\$18.00	\$17.10	\$16.65	\$16.25
DP48-( )	\$13.00	\$12.35	\$11.70	\$11.45
DP49-( )	\$13.00	\$12.35	\$11.70	\$11.45
DP50-( )	\$13.00	\$12.35	\$11.70	\$11.45
DP51-( )	\$13.00	\$12.35	\$11.70	\$11.45
DP52-( )	\$13.00	\$12.35	\$11.70	\$11.45
DP54A-( )	\$12.05	\$11.75	\$11.45	\$11.20
DP54B-( )	\$12.90	\$12.55	\$12.25	\$11.95
DP54C-( )	\$14.05	\$13.70	\$13.35	\$13.05
DP54D-( )	\$14.90	\$14.50	\$14.15	\$13.80
DP54E-( )	\$17.25	\$16.80	\$16.40	\$16.00
DP54F-( )	\$18.40	\$17.90	\$17.50	\$17.10
DP54G-( )	\$19.20	\$18.74	\$18.30	\$17.85
DP54H-( )	\$23.00	\$22.45	\$21.90	\$21.35
DP54I-( )	\$31.25	\$30.50	\$29.75	\$29.00
DP55A-( )	\$10.65	\$10.40	\$10.15	\$9.90
DP55B-( )	\$11.65	\$11.35	\$11.10	\$10.85
DP55C-( )	\$12.80	\$12.50	\$12.20	\$11.90
DP55D-( )	\$13.75	\$13.40	\$13.10	\$12.80
DP55E-( )	\$15.05	\$14.70	\$14.30	\$13.95
DP55F-( )	\$18.30	\$17.85	\$17.40	\$17.00
DP56A-( )	\$10.65	\$10.40	\$10.15	\$9.90
DP56B-( )	\$11.65	\$11.35	\$11.10	\$10.85
DP56C-( )	\$12.80	\$12.50	\$12.20	\$11.90

# Price List

## DRAWER PULLS

See Catalog pages 106-134 for finish colors.

	1-99	100-499	500-999	1000+
DP57A-( )	\$6.35	\$6.20	\$6.05	\$5.90
DP57B-( )	\$7.55	\$7.35	\$7.20	\$7.05
DP57C-( )	\$8.40	\$8.20	\$8.00	\$7.80
DP57D-( )	\$9.25	\$9.00	\$8.80	\$8.60
DP57E-( )	\$10.05	\$9.78	\$9.55	\$9.35
DP57F-( )	\$10.90	\$10.60	\$10.35	\$10.10
DP57G-( )	\$12.10	\$11.75	\$11.50	\$11.25
DP57H-( )	\$13.15	\$12.80	\$12.50	\$12.20
DP57I-( )	\$13.30	\$13.00	\$12.70	\$12.40
DP57J-( )	\$17.70	\$17.25	\$16.80	\$16.40
DP57K-( )	\$19.30	\$18.85	\$18.40	\$17.95
DP57L-( )	\$21.20	\$20.65	\$20.15	\$19.65
DP58A-( )	\$17.00	\$16.15	\$15.70	\$15.35
DP58B-( )	\$18.00	\$17.55	\$17.10	\$16.70
DP58C-( )	\$19.00	\$18.45	\$17.90	\$17.50
DP59A-( )	\$9.75	\$9.50	\$9.30	\$9.10
DP59B-( )	\$11.25	\$10.95	\$10.70	\$10.45
DP59C-( )	\$12.00	\$11.70	\$11.45	\$11.20
DP60A-( )	\$7.70	\$7.50	\$7.30	\$7.15
DP60B-( )	\$8.20	\$8.00	\$7.80	\$7.60
DP60C-( )	\$9.00	\$8.75	\$8.50	\$8.30
DP61A-( )	\$3.75	\$3.55	\$3.35	\$3.30
DP61B-( )	\$4.75	\$4.65	\$4.50	\$4.40
DP62-( )	\$3.75	\$3.55	\$3.35	\$3.30
DP63-( )	\$4.50	\$4.25	\$4.15	\$4.05
DP64-( )	\$3.50	\$3.30	\$3.15	\$3.10
DP65-( )	\$4.50	\$4.25	\$4.15	\$4.05
DP66-( )	\$4.25	\$4.15	\$4.05	\$3.95
DP67-( )	\$3.75	\$3.65	\$3.55	\$3.50
DP68-( )	\$4.00	\$3.80	\$3.60	\$3.55
DP69-( )	\$4.50	\$4.25	\$4.15	\$4.05
DP70-( )	\$4.50	\$4.25	\$4.15	\$4.05
DP71-( )	\$4.50	\$4.25	\$4.15	\$4.05
DP72-( )	\$5.40	\$5.20	\$5.15	\$5.05
DP73-( )	\$5.90	\$5.70	\$5.60	\$5.50
DP74A-( )	\$7.00	\$6.85	\$6.70	\$6.55
DP74B-( )	\$12.75	\$12.40	\$12.10	\$11.80
DP74C-( )	\$18.45	\$18.00	\$17.50	\$17.10
DP75-( )	\$8.35	\$8.15	\$7.95	\$7.80
DP76-( )	\$19.20	\$18.70	\$18.25	\$17.80
DP77-( )	\$30.60	\$29.80	\$29.10	\$28.40
DP78A-( )	\$5.80	\$5.50	\$5.25	\$5.15
DP78B-( )	\$6.75	\$6.40	\$6.20	\$6.05
DP78C-( )	\$7.50	\$7.15	\$6.90	\$6.75
DP78D-( )	\$8.00	\$7.60	\$7.40	\$7.25
DP78E-( )	\$12.00	\$11.70	\$11.40	\$11.15
DP79A-( )	\$6.75	\$6.40	\$6.20	\$6.05
DP79B-( )	\$8.75	\$8.30	\$8.05	\$7.85
DP79C-( )	\$26.60	\$25.95	\$25.30	\$24.70
DP80A-( )	\$7.59	\$7.40	\$7.20	\$7.05
DP80B-( )	\$11.45	\$11.15	\$10.90	\$10.65
DP80C-( )	\$19.15	\$18.65	\$18.20	\$17.75
DP81A-( )	\$6.10	\$6.00	\$5.80	\$5.70
DP81B-( )	\$8.35	\$8.15	\$7.95	\$7.80
DP81C-( )	\$20.60	\$20.10	\$19.60	\$19.15
DP82-( )	\$7.75	\$7.55	\$7.40	\$7.25
DP83-( )	\$6.00	\$5.85	\$5.70	\$5.60
DP84A-( )	\$16.25	\$15.85	\$15.45	\$15.10
DP84B-( )	\$17.00	\$16.60	\$16.20	\$15.80
DP84C-( )	\$17.50	\$17.10	\$16.65	\$16.25
DP85-( )	\$11.75	\$11.50	\$11.20	\$10.95
DP86-( )	\$12.50	\$12.20	\$11.90	\$11.65
DP87-( )	\$17.75	\$17.30	\$16.90	\$16.50
DP88-( )	\$27.25	\$26.50	\$25.90	\$24.60
DP127-( )	\$4.50	\$4.25	\$4.15	\$4.05

## DRAWER PULLS - BENEVELLI SERIES

Specify finish: Polished Chrome (26), Satin Chrome (26D), Polished Brass (3),

	1-99	100-499	500+
DP19-( )	\$22.00	\$21.00	\$20.00
DP20-( )	\$26.00	\$24.50	\$23.00
DP21-( )	\$28.00	\$26.60	\$25.30
DP22-L/R( )	\$21.00	\$20.00	\$19.00
DP23L/R-( )	\$38.00	\$36.10	\$34.30
DP24-( )	\$42.00	\$39.39	\$37.90
DP25-( )	\$35.00	\$33.25	\$31.50
DP26-L/R( )	\$38.00	\$36.10	\$34.30

## FURNIPART pages 135-137

See website for pricing

## GALAXY BY FURNIPART pages 138-139

See website for pricing

## KITCHEN/BATH/CLOSET pages 140-167

### RACKS - RCK and MAG Series

	1-11	12-24	25-49	50-99	100+
RCK1-SSS	\$55.00	\$53.65	\$52.30	\$51.00	\$49.70
RCK2-SSS	\$95.00	\$92.65	\$90.30	\$88.05	\$85.85
RCK3-SSS	\$35.00	\$34.15	\$33.30	\$32.45	\$31.65
RCK4-SSS	\$41.00	\$40.00	\$39.00	\$38.00	\$37.05
RCK5-SSS	\$44.00	\$42.90	\$41.85	\$40.80	\$40.00
RCK6-SSS	\$73.00	\$71.20	\$69.40	\$67.70	\$66.00
RCK7-SSS	\$82.00	\$79.95	\$78.00	\$76.00	\$74.10
RCK8-SSS	\$127.00	\$123.85	\$120.75	\$117.70	\$114.80
RCK9-SSS/( )	\$69.00	\$67.30	\$65.60	\$63.95	\$62.35
RCK10-SSS/( )	\$79.00	\$77.05	\$75.10	\$73.20	\$71.40
RCK11-SSS/( )	\$100.00	\$97.50	\$95.10	\$92.70	\$90.40
RCK12-SSS/( )	\$184.00	\$179.50	\$175.00	\$170.55	\$166.30
RCK13-SSS/87	\$170.00	\$165.75	\$161.60	\$157.60	\$153.65
RCK14-SSS/87	\$140.00	\$136.50	\$133.10	\$129.75	\$126.50
RCK15-SSS/( )	\$173.00	\$168.70	\$164.45	\$160.35	\$156.35
RCK16-SSS	\$192.00	\$187.20	\$182.50	\$177.95	\$173.50
RCK17-SSS	\$597.00	\$567.15	\$538.80	\$511.85	\$486.25
RCK17-SSS/92, 95	\$552.00	\$524.40	\$498.20	\$473.25	\$449.60
MAG1-SSS/( )	\$127.00	\$123.80	\$120.70	\$117.70	\$114.75

### BATHROOM/SHOWER SHELF - BAS Series

	1-11	12-24	25-49	50-99	100+
BAS1-SSS/( )	\$249.00	\$236.55	\$224.70	\$213.50	\$208.15
BAS1F-SSS	\$232.00	\$220.40	\$209.35	\$198.90	\$193.95

### CUP HOLDERS - CPH Series

	1-11	12-24	25-49	50-99	100+
CPH1-SSS	\$46.00	\$44.85	\$43.70	\$42.65	\$41.60
CPH2-SSS/( )	\$78.00	\$76.05	\$74.15	\$72.30	\$70.50

### TOILET PAPER HOLDERS - TPH Series

	1-11	12-24	25-49	50-99	100+
TPH1-SSS	\$39.00	\$38.00	\$37.05	\$36.15	\$35.25
TPH2-SSS	\$33.00	\$32.15	\$31.35	\$30.60	\$29.85
TPH3-SSS	\$33.00	\$32.15	\$31.35	\$30.60	\$29.85
TPH4-SSS/( )	\$91.00	\$86.45	\$82.15	\$78.00	\$76.05
TPH5-SSS/( )	Call or see website for pricing				
TPH6-SSS/( )	\$169.00	\$152.10	\$136.90	\$123.20	\$120.10
TPH7-SSS	\$110.00	\$99.00	\$89.10	\$80.20	\$78.20

## TOILET BRUSH HOLDERS - TBR Series

	1-11	12-24	25-49	50-99	100+
TBR1-SSS	\$101.00	\$98.45	\$96.00	\$93.60	\$91.25
TBR2-SSS	\$82.00	\$79.95	\$77.95	\$76.00	\$74.10
TBR3-SSS/( )	\$205.00	\$199.85	\$194.85	\$190.00	\$185.25
TBR4-SSS	\$379.00	\$341.10	\$307.00	\$276.30	\$248.65

## SOAP HOLDERS - SPH Series

	1-11	12-24	25-49	50-99	100+
SPH1-SSS	\$31.00	\$30.25	\$29.50	\$28.75	\$28.05
SPH2-SSS	\$46.00	\$44.85	\$43.75	\$42.65	\$41.60
SPH3-SSS/( )	\$78.00	\$76.05	\$74.15	\$72.30	\$70.50
SPH4-SSS	\$142.00	\$138.45	\$135.00	\$131.60	\$128.30
SPH5-SSS	\$84.00	\$81.90	\$79.85	\$77.85	\$75.90
SPH6-SSS	\$239.00	\$233.00	\$227.20	\$221.50	\$216.00
SPH6-SSS/92, 95	\$216.00	\$210.60	\$205.35	\$200.20	\$195.20

## DISPENSERS - SPD Series

	1-11	12-24	25-49	50-99	100+
SPD1-SSS	\$70.00	\$68.25	\$66.55	\$64.90	\$63.25
SPD2-SSS	\$105.00	\$102.35	\$99.80	\$97.30	\$94.85
SPD3-SSS/( )	\$93.00	\$90.70	\$88.40	\$86.20	\$84.05
SPD4-SSS	\$610.00	\$594.75	\$579.90	\$565.40	\$551.25

## TOOTH BRUSH HOLDERS - THB Series

	1-11	12-24	25-49	50-99	100+
THB1-SSS	\$28.00	\$27.30	\$26.60	\$25.95	\$25.30
THB2-SSS/( )	\$78.00	\$76.05	\$74.15	\$72.30	\$70.50
THB3-SSS/( )	\$97.00	\$87.30	\$78.60	\$70.70	\$63.65

## HAIR DRYER GROMMET - Fits into 3" hole.

Colors: Black (90) or White (95)

	1-10	11-49	50-99	100-499	500-999	1000+
HD1-( )	\$3.25	\$2.95	\$2.80	\$2.65	\$2.50	\$2.25

## CURLING IRON HOLDER/SCISSOR HOLDER

CT1 2" OD fits into 1-1/2" hole.

CT2 & CT3 3" OD fits into 2-1/2" hole.

Specify finish: Polished Chrome (26) or Matte Black (90).

	1-99	100-499	500-999	1000+
CT1-90	\$9.85	\$9.35	\$8.80	\$8.00
CT1-26	\$10.85	\$10.30	\$9.75	\$8.75
CT2-90	\$14.00	\$13.30	\$12.60	\$11.35
CT2-26	\$15.00	\$14.25	\$13.50	\$12.15
CT3-90	\$18.75	\$17.80	\$16.90	\$15.25
CT3-26	\$19.75	\$18.75	\$17.80	\$16.00

## MIRROR MOUNTS - MA Series

Finishes: see page 157

	1-49	50-99	100-499	500+
MA1-( )	\$3.00	\$2.90	\$2.80	\$2.70
MA2-( )	\$3.00	\$2.90	\$2.80	\$2.70
MA3A-( ) (30mm)	\$4.75	\$4.60	\$4.45	\$4.25
MA3B-( ) (60mm)	\$5.50	\$5.23	\$4.95	\$4.68

## PAPER TOWEL HOLDERS - PTH Series

	1-11	12-24	25-49	50-99	100+
PTH1-SSS	\$38.00	\$37.05	\$36.10	\$35.20	\$34.35
PTH2-SSS/( )	\$201.00	\$180.90	\$162.81	\$146.53	\$131.88

## HOOKS - HK Series

	1-11	12-24	25-49	50-99	100+
HK1-SSS	\$19.00	\$18.50	\$18.10	\$17.60	\$17.20
HK2A-SSS	\$25.00	\$24.40	\$23.75	\$23.20	\$22.60
HK2B-SSS	\$41.00	\$40.00	\$39.00	\$38.00	\$37.05
HK3A-SSS	\$8.00	\$7.80	\$7.60	\$7.40	\$7.25
HK3B-SSS	\$13.00	\$12.70	\$12.40	\$12.05	\$11.75
HK3C-SSS	\$17.00	\$16.60	\$16.15	\$15.75	\$15.40
HK3D-SSS	\$21.00	\$20.50	\$19.95	\$19.45	\$19.00
HK4A-SSS	\$30.00	\$29.25	\$28.50	\$27.80	\$27.10
HK4B-SSS	\$81.00	\$79.00	\$77.00	\$75.10	\$73.20
HK4C-SSS	\$108.00	\$105.30	\$102.70	\$100.10	\$97.60
*HK5-SSS Set of 3	\$13.00	\$12.70	\$12.40	\$12.05	\$11.75
HK6A-SSS/( )	\$35.00	\$34.10	\$33.30	\$32.45	\$31.60
HK6B-SSS/( )	\$104.00	\$101.40	\$98.90	\$96.40	\$94.00
HK7A-87	\$9.00	\$8.75	\$8.55	\$8.35	\$8.15
HK7B-87	\$23.00	\$22.40	\$21.85	\$21.30	\$20.80
HK8-87	\$49.00	\$47.80	\$46.60	\$45.40	\$44.30
HK9-( ) Set of 3	\$15.00	\$14.70	\$14.25	\$13.95	\$13.50

\*HK5 Hooks designed to work with RCK3, 4, 5 Series

## UNDER SINK LINER - SL

Finish: Polished aluminum with grey rubber trim.

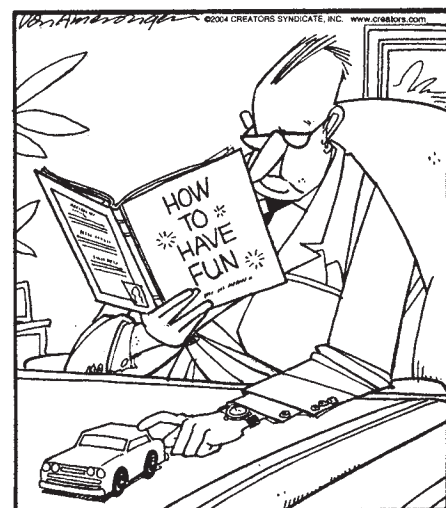
Specify size, Call for pricing

## HANGERS - HNGR Series Sold in sets of 3

	1-11	12-24	25-49	50-99	100+
HNGR1-SSS	\$75.00	\$73.20	\$71.40	\$69.60	\$67.80
HNGR2-SSS	\$84.00	\$81.90	\$79.80	\$77.85	\$75.90
HNGR3-SSS	\$84.00	\$81.90	\$79.80	\$77.85	\$75.90
HNGR4-SSS	\$69.00	\$67.20	\$65.70	\$63.90	\$62.40
HNGR5-87	\$165.00	\$160.80	\$156.90	\$152.85	\$149.10

## HANGER HOLDERS - HNGH Series Sold in sets of 3

	1-11	12-24	25-49	50-99	100+
HNGH1-SSS	\$25.00	\$24.40	\$23.75	\$23.20	\$22.60
HNGH2-SSS	\$26.00	\$25.35	\$24.70	\$24.10	\$23.50
HNGH3-SSS	\$29.00	\$28.30	\$27.60	\$26.90	\$26.20
HNGH4-SSS	\$37.00	\$36.10	\$35.20	\$34.30	\$33.45
HNGH5-94	\$32.00	\$31.20	\$30.40	\$29.65	\$28.90
HNGH6-87	\$18.00	\$17.55	\$17.10	\$16.70	\$16.25
HNGH1K-SSS	\$101.00	\$98.50	\$96.00	\$93.60	\$91.25



## FURNITURE LEGS pages 169-193

### LITTLE ALUMINUM LEGS

Finish: Polished Aluminum (100) only. Specify LV - See page 170-171

	1-11	12-24	25-49	50-99	100+
FL1	\$35.00	\$33.25	\$31.75	\$30.00	\$28.50
FL2	\$37.00	\$36.10	\$35.20	\$34.35	\$33.50
FL6	\$37.00	\$36.10	\$35.20	\$34.35	\$33.50
FL7	\$29.00	\$27.55	\$26.55	\$25.00	\$23.75
FL8	\$43.00	\$41.95	\$40.90	\$39.90	\$38.90

### TOP PLATES & LEVELERS - for lil' aluminum legs

Finish: Polished Aluminum (100) only.

TP1/TP2, see page 170-171 for specs, price sold separately, \$7.00 each.

Levelers for Little Legs not sold separately.

### FURNITURE LEGS - FL Series With Casters

Finish: Polished Aluminum (100) only. Specify top plate.

	1-11	12-24	25-49	50-99	100+
FL9-100	\$36.00	\$34.20	\$33.35	\$32.50	\$31.70
FL10-100	\$36.00	\$34.20	\$33.35	\$32.50	\$31.70
FL11-100	\$36.00	\$34.20	\$33.35	\$32.50	\$31.70
FL12-100	\$36.00	\$34.20	\$33.35	\$32.50	\$31.70

### FURNITURE LEGS - FL Series With Corner Mounting Plate

	1-11	12-24	25-49	50-99	100+
FL13A-100	\$26.00	\$25.35	\$24.70	\$24.10	\$23.50
FL13B-100	\$29.00	\$28.25	\$27.55	\$26.85	\$26.20
FL13C-100	\$31.00	\$30.25	\$29.50	\$28.75	\$28.00
FL14A-SSS	\$23.00	\$22.40	\$21.85	\$21.30	\$20.80
FL14-SSS	\$24.00	\$23.40	\$22.90	\$22.25	\$21.70
FL15A-SSS	\$21.00	\$20.45	\$19.95	\$19.45	\$18.95
FL15-SSS	\$22.00	\$21.45	\$20.90	\$20.40	\$19.90

### LITTLE LEGS

See page 172 for finishes

	1-11	12-24	25-49	50-99	100+
FL3-( )	\$27.50	\$26.10	\$24.80	\$23.60	\$22.40
FL4-( )	\$30.00	\$28.50	\$27.10	\$25.75	\$24.45
FL5-( )	Call for pricing.				

### ROUND FURNITURE LEG

Specify: Diameter and Finish.

NOTE: All heights stocked in Unfinished (U), Matte Black (90), Polished Chrome (26) and Satin Chrome (26D).

Other finishes: Approx. 3 week lead time.

Other heights: Approx. 5-8 week lead time. Custom painting and plating available in any finish.

Cartoning charge \$7.50 per leg, less for quantity orders.

TL27R is 27" in height TL27P w/plate leveler add \$20.00

TL28R is 28-1/2" in height TL28P w/plate leveler add \$20.00

TL34R is 34-1/2" in height TL34P w/plate leveler add \$20.00

3" Diameter	1-11	12-24	25-49	50-99	100+
TL27R-390	\$80.00	\$78.00	\$76.00	\$72.25	\$68.00
TL27R-326, 26D	\$86.00	\$83.85	\$81.75	\$77.50	\$73.75
TL28R-390	\$86.00	\$83.85	\$81.75	\$77.50	\$73.75
TL28R-326, 26D	\$92.00	\$89.70	\$87.50	\$83.00	\$78.75
TL34R-390	\$100.00	\$97.50	\$95.00	\$90.00	\$85.75
TL34R-326, 26D	\$110.00	\$107.00	\$103.75	\$98.55	\$93.60
4" Diameter	1-11	12-24	25-49	50-99	100+
TL27R-490	\$96.00	\$93.50	\$91.25	\$86.70	\$82.25
TL27R-426, 26D	\$103.00	\$100.40	\$97.90	\$93.00	\$88.25
TL28R-490	\$103.00	\$100.40	\$97.90	\$93.00	\$88.25
TL28R-426, 26D	\$112.00	\$109.40	\$106.70	\$101.35	\$96.30
TL34R-490	\$119.00	\$116.00	\$113.00	\$107.40	\$102.00
TL34R-426, 26D	\$131.00	\$127.30	\$123.50	\$117.30	\$111.40
6" Diameter	1-11	12-24	25-49	50-99	100+
TL27R-690	\$118.00	\$115.00	\$112.15	\$106.50	\$101.00
TL27R-626, 26D	\$125.00	\$121.20	\$118.00	\$112.00	\$107.00
TL28R-690	\$125.00	\$121.20	\$118.00	\$112.00	\$107.00
TL28R-626, 26D	\$133.00	\$129.35	\$125.45	\$119.20	\$113.00
TL34R-690	\$147.00	\$143.50	\$140.00	\$132.00	\$125.00
TL34R-626, 26D	\$160.00	\$154.80	\$150.15	\$142.70	\$135.50

Call for unfinished (U) pricing.

LEVELERS: For Round furniture legs above:

GLIDE: Regular leveler provided at no charge.

PLATE: 1/2" thick solid steel, same diameter and finish as leg, \$20.00 ea.

CASTERS: Call for pricing & options.

INGRAM/LARIMORE SABOTS:

NOTE: No vertical adjustment. Comes unfinished, low (1" high) or tall (2" high). Call for pricing.

### LEG WITH WIRE MANAGEMENT

Specify: 4" and 6" diameter with regular leveler.

TL27W-( ) Add \$20.00 to Round Furniture Leg prices.

TL28W-( ) Add \$20.00 to Round Furniture Leg prices.

TL34W-( ) Add \$20.00 to Round Furniture Leg prices.

### RUBBER LEG

Specify: One size only, 3-1/4" diameter x 27" high.

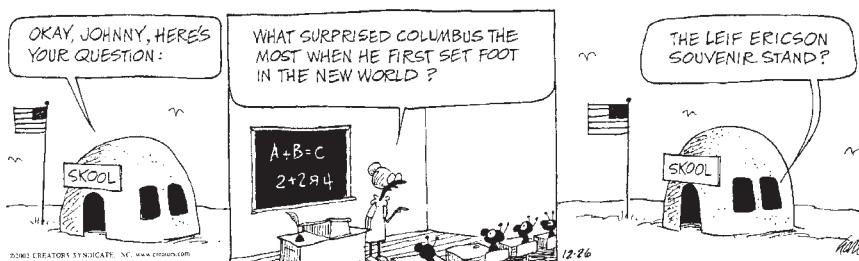
Black ribbed rubber covering.

IN STOCK for immediate shipping.

	1-11	12-24	25-49	50-99	100+
TLRUL-90	\$75.00	\$74.00	\$72.00	\$67.50	\$65.50

Cartoning charge: \$7.50 for 1 or 2 legs, less for quantity orders.

### B.C. By Johnny Hart





## “MILANO LEG” - TLM Series

Specify finish: IN STOCK for immediate shipping - Polished Chrome (26), Satin Chrome (26D), Matte Black (90), Unfinished (U).

NOTE: Though stock legs are 27” tall, we will make any height.

Call for pricing. Custom painting and plating available in most any finish.

Cartoning charge: \$7.50 for 1 or 2 legs, less for quantity orders.

	1-11	12-24	25-49	50-99	100+
<b>TLM-90</b>	\$72.00	\$69.85	\$66.35	\$63.00	\$56.70
<b>TLM-26, 26D</b>	\$75.00	\$72.75	\$69.15	\$65.70	\$59.15

## ROMA LEG - TLRAL Series

Specify: Finish - custom painting and plating available.

IN STOCK for immediate shipping in Polished Chrome (26), Satin Chrome (26D), Matte Black (90) and Unfinished (U).

Serrated version (RALM) in Satin Aluminum (94) and Matte Black (90).

Size - 3-1/4” diameter x 27-1/8” adj. to 36” tall.

	1-11	12-24	25-49	50-99	100+
<b>TLRAL27-90, 94</b>	\$78.00	\$76.00	\$74.00	\$71.00	\$63.00
<b>TLRAL27-26, 26D</b>	\$86.00	\$83.50	\$81.00	\$76.95	\$69.25
<b>TLRALM-( )</b>	\$78.00	\$76.00	\$74.00	\$71.00	\$63.00

Cartoning charge: \$7.50 for 1 or 2 legs, less for quantity orders

## EGYPTOID LEG

Call for pricing.

## FIELDS LEG - TLF Series.

Call for pricing.

## SQUARE LEG

Call for pricing.

## OVAL LEG

Call for pricing.

## CONTRAST LEG

Call for pricing.

## FIELDS LEG #2 TLFAEX

Finish: Polished aluminum (100) or Satin Anodized (94)

	1-11	12-24	25-49	50-99	100+
<b>TLFAEX</b>	\$140.00	\$133.00	\$126.35	\$120.00	\$114.00

## WOOD LEG

Call for pricing

## WHITLEY LEG

Specify: Finish - Crystalite Chrome (26D) or Matte Black (90).

Height - 27” or 34-1/2”.

IN STOCK 27” tall in Crystalite Chrome (26D).

	1-11	12-24	25-49	50-99	100+
<b>TLWH27-26D</b>	\$235.00	\$224.00	\$219.00	\$213.00	\$208.00
<b>TLWH27-90</b>	\$185.00	\$176.00	\$171.00	\$167.00	\$163.00
<b>TLWH34-26D</b>	\$350.00	\$341.00	\$333.00	\$325.00	\$315.00
<b>TLWH34-90</b>	\$275.00	\$261.00	\$255.00	\$248.00	\$242.00

## KYROS LEG

Leg column finish options: Satin Aluminum (94) or Matte Black (90).

	1-11	12-24	25-49	50-99	100+
<b>TLKNB27-( )</b>	\$140.00	\$133.00	\$126.00	\$120.00	\$113.00
<b>TLKRB27-( )</b>	\$215.00	\$204.00	\$195.00	\$188.00	\$178.00

## KYROS PLUS EXTRUDED PEDESTAL LEG/BASE

Leg column finish options: Satin Aluminum (94) or Matte Black (90).

	1-11	12-24	25-49	50-99	100+
<b>TLKAP27-( )</b>	\$315.00	\$307.25	\$299.50	\$292.00	\$284.75
<b>TLKBP27-( )</b>	\$305.00	\$297.00	\$290.00	\$282.75	\$275.50

## TLRFZC SERIES “ZOLA”

Finishes: Anodized Natural (94), Anodized Smoke (92), Matte black (90).

Specify: Caster or Glide

	1-11	12-24	25-49	50-99	100+
<b>TLRFZ-( )</b>	\$87.00	\$82.65	\$78.50	\$74.60	\$70.85

## TLRFA SERIES “ARIEL”

Finishes: Anodized Natural (94), Anodized Smoke (92), Matte black (90).

	1-11	12-24	25-49	50-99	100+
<b>TLRFA-( )</b>	\$225.00	\$213.75	\$203.05	\$192.90	\$183.25

## TLRFB SERIES “BALDWIN”

Finishes: Anodized Natural (94).

	1-11	12-24	25-49	50-99	100+
<b>TLRFB-94</b>	\$300.00	\$285.00	\$270.75	\$257.20	\$244.35

## TLRFBIG “BIG BOY”

Call for pricing

## CYLINDERS & CUBES

Call for pricing

## PARSONS TABLE

Call for pricing

## ELECTRIC LEG

Finish: Satin Aluminum (94). Call for pricing and options

## CASTERS pages 196-203

Specify finish and mounting method, see pages 196-203 for options.

	1-11	12-24	25-49	50-99	100+
<b>CA1*</b>	\$21.50	\$20.85	\$20.20	\$19.60	\$19.00
<b>CA2* w/brake</b>	\$22.00	\$21.35	\$20.70	\$20.05	\$19.45
<b>CA3</b>	\$19.50	\$18.90	\$18.35	\$17.80	\$17.25
<b>CA5</b>	\$20.50	\$19.90	\$19.30	\$18.70	\$18.15
<b>CA6 w/brake</b>	\$22.00	\$21.35	\$20.70	\$20.05	\$19.45
<b>CA7</b>	\$28.75	\$27.90	\$27.05	\$26.25	\$25.45
<b>CA8 w/brake</b>	\$32.50	\$31.55	\$30.55	\$29.65	\$28.75
<b>CA13</b>	\$30.00	\$29.10	\$28.25	\$27.40	\$26.55
<b>CA14 w/brake</b>	\$32.00	\$31.05	\$30.10	\$29.20	\$28.30
<b>CA15</b>	\$30.00	\$29.10	\$28.25	\$27.40	\$26.55
<b>CA21</b>	\$37.00	\$35.90	\$34.80	\$33.75	\$32.75
<b>CA23</b>	\$70.00	\$67.90	\$65.85	\$63.90	\$61.95
<b>CA24 w/brake</b>	\$70.00	\$67.90	\$65.85	\$63.90	\$61.95
<b>CA27</b>	\$10.00	\$9.70	\$9.40	\$9.15	\$8.85
<b>CA29</b>	\$8.00	\$7.75	\$7.55	\$7.30	\$7.05
<b>CA30</b>	\$8.25	\$7.85	\$7.65	\$7.45	\$7.25
<b>CA31</b>	\$10.50	\$10.20	\$9.85	\$9.55	\$9.30
<b>CA32 w/brake</b>	\$10.75	\$10.40	\$10.10	\$9.80	\$9.50
<b>CA33</b>	\$19.00	\$18.45	\$17.90	\$17.35	\$16.80
<b>CA35</b>	\$24.00	\$23.30	\$22.60	\$21.90	\$21.25

**CA37 & CA38:** See website or call for pricing

\* See website for photo and specifications

# Price List

## SHELF SUPPORTS pages 206-216

See pages 206-216 for colors and finishes.

	1-49	50-99	100-499	500+
SH1-( )	\$9.50	\$9.00	\$8.60	\$8.15
SH1A-( )	\$8.50	\$8.10	\$7.70	\$7.30
SH2-( )	\$24.00	\$22.80	\$21.65	\$20.60
SH3-( )	\$7.95	\$7.55	\$7.15	\$6.80
SH4-( )	\$13.95	\$13.25	\$12.60	\$11.95
SH5-( )	\$10.50	\$9.95	\$9.50	\$9.00
SH6-( )	\$10.50	\$9.95	\$9.50	\$9.00
SH6A-( )	\$2.45	\$2.35	\$2.20	\$2.10
SH7-( )	\$15.25	\$14.95	\$14.20	\$13.50
SH7A-( )	\$8.50	\$8.10	\$7.70	\$7.30
SH8-( )	\$19.75	\$18.75	\$17.80	\$16.90
SH10-( )	\$5.50	\$5.20	\$4.95	\$4.70
SH11-( )	\$24.00	\$22.80	\$22.10	\$21.50
SH12-( )	\$50.00	\$47.50	\$45.15	\$42.80
SH13A-( )	\$13.00	\$12.35	\$12.00	\$11.70
SH13B-( )	\$17.00	\$16.15	\$15.75	\$15.35
SH14-94*	\$17.25	\$16.40	\$15.90	\$15.50
SH15A-94 (Bracket)	\$8.25	\$7.80	\$7.65	\$7.45
SH15B-94 (Bracket)	\$9.25	\$8.80	\$8.35	\$7.95
SH15C-94 (Bracket)	\$9.75	\$9.25	\$8.80	\$8.35
SH15D-94 (Bracket)	\$12.00	\$11.40	\$10.80	\$10.30
SH15E-94 (Bracket)	\$13.50	\$12.80	\$12.20	\$11.60
**SH16A-94 (Bracket)	\$8.50	\$8.10	\$7.70	\$7.30
**SH16B-94 (Bracket)	\$9.75	\$9.25	\$8.80	\$8.35
**SH16C-94 (Bracket)	\$10.35	\$9.85	\$9.35	\$8.90
SHF16A/4-94 (Shelf)	\$26.25	\$23.65	\$22.45	\$21.30
4ft long narrow shelf				
SHF16A/6-94 (Shelf)	\$39.40	\$35.45	\$33.65	\$32.00
6ft long narrow shelf				
SHF16B/4-94 (Shelf)	\$40.00	\$36.00	\$34.20	\$32.50
4ft long wide shelf				
SHF16B/6-94 (Shelf)	\$60.00	\$54.00	\$51.30	\$48.74
6ft long wide shelf				
SHTRC3-94	\$13.50	\$12.80	\$12.50	\$12.20
SHTRC6-94	\$22.50	\$21.35	\$20.85	\$20.30
SHTRM3-94	\$17.00	\$16.15	\$15.75	\$15.35
SHTRM6-94	\$28.00	\$26.60	\$25.90	\$25.25
SC2-( )	\$2.25	\$2.10	\$2.00	\$1.90
SH17-SSS	\$63.00	\$61.40	\$59.90	\$58.40
SH17A-SSS	\$31.00	\$30.20	\$29.45	\$28.75
SH18A-SSS	\$25.00	\$24.20	\$23.75	\$23.20

SH18B-SSS	\$26.00	\$25.35	\$24.70	\$24.10
SH19-( )	\$30.00	\$29.25	\$28.50	\$27.80
SH19A-( )	\$9.00	\$8.75	\$8.55	\$8.35

SH20 See website or call for pricing

\*Includes 1 bottom & 1 top bracket

\*\* Please refer to page 207 to determine number of shelves and depth of shelf to use with each bracket. Track must also be selected from either SHTRC or SHTRM series. Details also on page 207.

## ELLEN'S BRACKETS - SH9 Series

Finish: Satin Aluminum (94)

	1-49	50-99	100-499	500+
SH9VS.75-94	\$229.00	\$217.50	\$206.70	\$196.35
(Vertical set w/2 track & 8 brackets 3/4")				
SH9VB.75-94	\$21.00	\$19.95	\$18.95	\$18.00
(3/4" Vertical Bracket)				
SH9VT-94	\$41.00	\$38.95	\$37.00	\$35.15
(Vertical Track)				
SH9HS.375-94	\$119.00	\$113.00	\$107.50	\$102.00
(Horizontal set w/1 track & 4 brackets 3/8")				
SH9HS.75-94	\$119.00	\$113.00	\$107.50	\$102.00
(Horizontal set w/1 track & 4 brackets 3/4")				
SH9HB.375-94	\$18.50	\$17.60	\$16.70	\$15.85
(3/8" Horizontal Bracket)				
SH9HB.75-94	\$18.50	\$17.60	\$16.70	\$15.85
(3/4" Horizontal Bracket)				
SH9HT-94	\$53.00	\$50.35	\$47.80	\$45.45
(Horizontal Track)				

## WORK SUPPORTS pages 217-219

See catalog pages for finishes

	1-11	12-24	25-49	50-99	100+
SWS1-( )	\$78.25	\$74.30	\$72.45	\$70.65	\$68.90
SWS2-( )	\$63.00	\$61.00	\$58.00	\$56.30	\$54.60
SWS3-( )	\$67.00	\$65.00	\$61.75	\$60.00	\$58.20
SWS4-( ) SET	\$68.00	\$64.60	\$62.90	\$61.40	\$59.85
SWS4A-( ) SET	\$35.00	\$33.25	\$32.40	\$31.60	\$30.80
SWS5-17M, 23	\$65.00	\$63.35	\$61.80	\$60.25	\$58.75
SWS5-3, 17S, 26	\$99.00	\$96.50	\$94.10	\$91.75	\$89.45

Set=1 Left and 1 Right Bracket

## MULTI PURPOSE SUPPORT HANGERS pages 220-225

• Cap & Barrel connector, specify standard length of 1/2", 3/4", 1", 1 1/4" or 1 1/2". Longer lengths available at additional cost. 5/16-18 thread.

• Mounting Hardware Options, specify: Wood, Concrete, Drywall\* (for MPB9-11 only) or Table Top (specify standard low-head socket set screw length: 1", 1 1/4" or 1 1/2", longer lengths available at additional cost) \*Add \$3.00 to price.

	1-49	50-99	100-499	500-999	1000+
MPB1A-( )	\$42.00	\$39.90	\$37.90	\$36.00	\$34.20
MPB2A-( )	\$65.00	\$61.75	\$58.70	\$55.75	\$53.00
MPB3A-( )	\$50.00	\$47.50	\$45.10	\$42.85	\$41.80
MPB4A-( )	\$88.00	\$83.60	\$79.40	\$75.40	\$71.60
MPB5A-( )	\$47.50	\$44.65	\$42.40	\$40.25	\$38.25
MPB8/.875-94	\$8.40	\$8.20	\$8.00	\$7.80	\$7.60
MPB8/CAP1-94	\$7.40	\$7.20	\$7.05	\$6.85	\$6.70
MPB9/.5-94	\$8.20	\$8.00	\$7.80	\$7.61	\$7.40
MPB9/1-94	\$9.10	\$8.85	\$8.65	\$8.45	\$8.20
MPB9/2-94	\$10.70	\$10.45	\$10.15	\$9.90	\$9.65
MPB9/3-94	\$12.30	\$12.00	\$11.70	\$11.41	\$11.10
MPB9/4-94	\$13.90	\$13.55	\$13.20	\$12.90	\$12.55
MPB9/CAP1-94	\$8.00	\$7.80	\$7.60	\$7.40	\$7.25
MPB10/.25-94	\$7.70	\$7.50	\$7.30	\$7.15	\$6.95
MPB10/.625-94	\$9.70	\$9.45	\$9.20	\$9.00	\$8.75

	1-49	50-99	100-499	500-999	1000+
MPB10/1-94	\$11.70	\$11.40	\$11.10	\$10.85	\$10.55
MPB10/2-94	\$13.70	\$13.35	\$13.00	\$12.70	\$12.40
MPB10/3-94	\$15.00	\$14.65	\$14.25	\$13.90	\$13.55
MPB10/4-94	\$15.80	\$15.40	\$15.00	\$14.65	\$14.30
MPB10/6-94	\$18.40	\$17.95	\$17.50	\$17.05	\$16.65
MPB10/8-94	\$32.40	\$31.60	\$30.80	\$30.05	\$29.30
MPB10/10-94	\$36.30	\$35.40	\$34.50	\$33.65	\$32.80
MPB10/12-94	\$39.50	\$38.50	\$37.55	\$36.60	\$35.70
MPB10/CAP1-94	\$10.50	\$10.25	\$10.00	\$9.75	\$9.50
MPB11/1-94	\$16.50	\$16.10	\$15.70	\$15.30	\$14.90
MPB11/2-94	\$19.00	\$18.55	\$18.05	\$17.60	\$17.15
MPB11/3-94	\$21.30	\$20.75	\$20.25	\$19.75	\$19.25
MPB11/4-94	\$24.70	\$24.10	\$23.50	\$22.90	\$22.30
MPB11/CAP1-94	\$13.00	\$12.70	\$12.35	\$12.05	\$11.75

• Optional Corner Hubs to secure panels to Stand-Off (no panel drilling required). Available for MPB10 & 11 only. Specify panel thickness (1/8", 3/8" or 1/2"). Price \$12.00 each.

## SPECIALTY HARDWARE pages 226-233

### TAG HOLDERS

Satin Aluminum (94) only.

	1-49	50-99	100-499	500+
CF1-94	\$19.50	\$18.50	\$17.60	\$17.10
CF2-94	\$21.00	\$19.95	\$18.95	\$18.50
CF3-94	\$21.00	\$19.95	\$18.95	\$18.50
CF4-94	\$23.00	\$21.85	\$21.30	\$20.75

### DOOR STOPS

For finishes, see pages 227-229

	1-49	50-99	100-499	500-999	1000+
DS1-( )	\$7.25	\$7.00	\$6.75	\$6.50	\$6.35
DS2-94	\$24.00	\$22.80	\$22.25	\$21.65	\$20.60
DS2-SSS	\$24.00	\$22.80	\$22.25	\$21.65	\$20.60
DS3-SSS	\$31.00	\$29.45	\$28.70	\$27.98	\$26.60
DS3-94	\$18.00	\$17.10	\$16.65	\$16.25	\$15.45
DS4-94	\$24.00	\$22.80	\$22.25	\$21.65	\$20.60
DS4-SSS	\$24.00	\$22.80	\$22.25	\$21.65	\$20.60
DS5-SSS	\$44.00	\$41.80	\$40.75	\$39.75	\$37.75
DS5-94	\$33.00	\$31.35	\$30.50	\$29.70	\$28.95
DS6-( )	\$14.00	\$13.65	\$13.30	\$13.00	\$12.65
DS6A-( )	\$12.00	\$11.70	\$11.40	\$11.15	\$10.85
DS7-SSS	\$13.50	\$13.15	\$12.85	\$12.50	\$12.20
DS8-SSS	\$19.50	\$19.00	\$18.55	\$18.10	\$17.65
DS9-( )	\$33.00	\$32.15	\$31.35	\$30.55	\$29.75
DS10-( )	\$11.00	\$10.70	\$10.45	\$10.20	\$9.95
DS11-( )	\$11.00	\$10.70	\$10.45	\$10.20	\$9.95

### VIDEO & BOOK RETURN

Finish - Matte Black (90). Custom finishes available.

Video RT1-90

Book RT2-90 (small)

Call for pricing

Book RT2A-90 (large)

Lettering - Call for pricing

Floor Mat - Call for pricing

### TABLE GANGING CLAMP

Color: Black (90)

	1-49	50-99	100-499	500+
GC1-90	\$19.00	\$17.10	\$16.25	\$15.75

### JOIN-IT-TOGETHER

Finish: Black (90)

	1-49	50-99	100-499	500+
JT1-90	\$7.50	\$7.25	\$7.00	\$6.85

### Z CLIPS

Set of 2, Aluminum (94)

	1-49	50-99	100-499	500+	1000+
ZC3-94	\$2.45	\$2.21	\$1.98	\$1.75	\$1.66



**Remember: It's not polite to just hang up on telemarketers.**

# Index

Part No. Series	Catalog Page	Pricing Page
ABG	34	240
AD Series	25,26,29	239
AG Series	24,25,29	238
AVG Series	25,29,68	239
BAS1 Series	147	246
BG Series	24,25,29	238
BRKIT Series	88	244
CA1	website	website
CA3	197	249
CA5, CA6	197	249
CA7, CA8	198	249
CA13	198	249
CA14, CA15	199	249
CA21	202	249
CA23, CA24	202	249
CA27	200	249
CA29, CA30	200	249
CA31, CA32	201	249
CA33	196	249
CA35	196	249
CA37 & 38	203	249
CC1A-CC3A	72	242
CDH1-CDH3	70	242
CDH4-CDH6	71	242
CF1-CF4	226	251
CH1 Series	99	244
CH2	99	244
CH3	98	244
CH5	98	244
CH6, CH7	100	244
CH9	100	244
CH10	98	244
CH11	95	244
CH12, CH12A	94	244
CH13 Series	94	244
CH14	95	244
CH15-CH16	93	244
CH17	95	244
CH19, CH20	96	244
CH21	97	244
CH22, CH23	90	244
CH24	92	244
CH25	93	244
CH26A, CH26B	92	244
CH27A, CH27B	91	244
CH28	91	244
CH29 Series	139	website
CH43	104	244
CL Series	84	244
CLVR Series	35	240
CP Series	67	242
CPH1, CPH2	148	246
CPH4	139	website
CPH5	139	website
CPU1A-CPU4A	64	242
CPU6, CPU7	65	242

Part No. Series	Catalog Page	Pricing Page
CT1-CT3	156	247
Data Inserts	21	238
DP1 Series	127	245
DP2 Series	126	245
DP3 Series	127	245
DP4 Series	126	245
DP6 Series	128	245
DP7 Series	124	245
DP10 Series	120	245
DP11 Series	121	245
DP12 Series	120	245
DP13 Series	121	245
DP14 Series	122	245
DP15 Series	122	245
DP16, DP17	123	245
DP18 Series	125	245
DP19-DP21	118	245
DP22-DP26	119	245
DP27 Series	121	245
DP28 Series	122	245
DP29 Series	123	245
DP30 Series	130	245
DP32 Series	129	245
DP33 Series	129	245
DP34 Series	130	245
DP35 Series	130	245
DP36 Series	129	245
DP37 Series	130	245
DP38-DP40 Series	131	245
DP41-DP43 Series	132	245
DP44-DP46 Series	133	245
DP47-DP52 Series	134	245
DP54 Series	106	245
DP55 Series	107,136	245
DP56 Series	107	website
DP57 Series	108	246
DP58 Series	107,136	246
DP59 Series	108	246
DP60 Series	109	245
DP61 Series	109,136	246
DP62-DP71	110	246
DP73	110,136	246
DP74 Series	111,136	246
DP75-DP77	112	246
DP78 Series	111	246
DP79-DP81	113	246
DP82, DP83	114	246
DP84	115	246
DP85, DP86	116,137	246
DP87, DP88	117,137	246
DP100-DP103	135	website
DP108	136	website
DP109, DP110	135	website
DP127	114	246
DP258	102	website
DP267	102	website

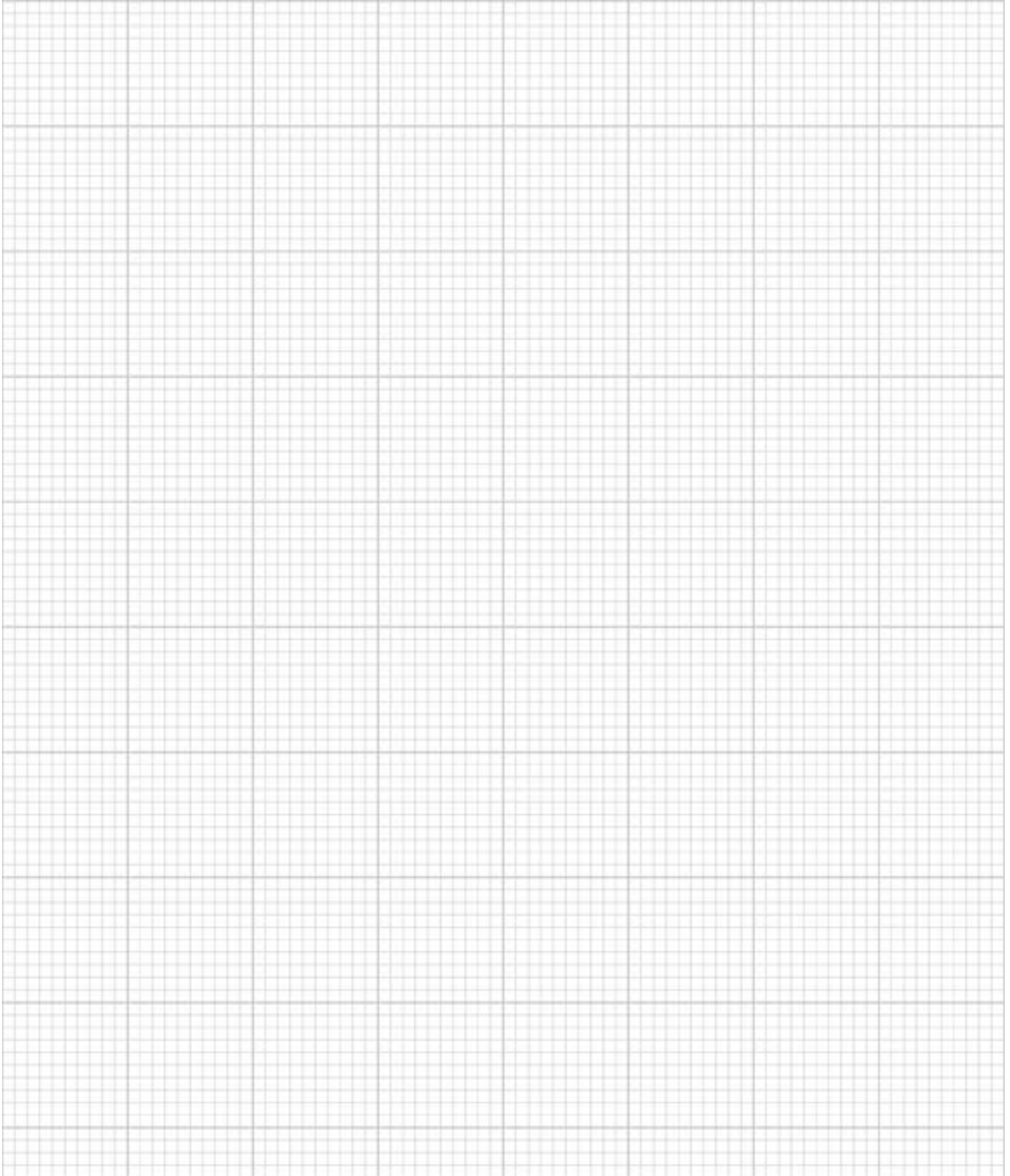
Part No. Series	Catalog Page	Pricing Page
DP313	102	website
DBLSD (TAPE)	81	243
DS1	229	251
DS2-DS5	227	251
DS6-DS8	228	251
DS9-DS11	229	251
DS12	139	website
DS13	139	website
DWR1	56	242
DWR2, DWR3	57	242
EDP Series	24,25,27-29	239
EDPAVG Series	25,26,68	239
EXG1	85	244
FG3 Series	43	241
FG4	43	241
FG5, FG6	44	241
FG7, FG8	45	241
FL1	169	248
FL2 Series	170	248
FL3-FL5	172	248
FL6 Series	171	248
FL7	169	248
FL8 Series	170	248
FL9-FL12	174	248
FL13-FL15	173	248
FM1	66	242
FSA Series	48, 49	241
GC1	233	251
GRN Series	35	240
GT Series	68	242
HD1	156	247
HDL18	103	website
HDL31	103	website
HDL36	103	website
HDL40	103	website
HDL47	103	website
HK1, HK2 Series	159	247
HK3, HK4	160	247
HK5	162	247
HK6, HK7	161	247
HK8, HK9	162	247
HK11	104	website
HK13N	104	website
HK15	104	website
HK16	104	website
HNGH1-HNGH4	164	247
HNGH1K	164	247
HNGH5	165	247
HNGH6	166	247
HNGR1-HNGR5	163	247
INNV Series	37	240
JB Series	38	241
JT1	233	251
KH1	62	242
KP1, KP2	58	242
KP3, KP4	59	242

Part No. Series	Catalog Page	Pricing Page
KP5	55	242
KPA1-KPA2	60	242
KPA3-KPA4	61	242
LG3	30	239
LNA Series	36	240
LO Series	31	239
MA1-MA3	157	247
MAG1	144	246
MG Series	34	240
MM Series	32	240
MPB1	224	250
MPB2	224	250
MPB3-MPB5	225	250
MPB8	222	250
MPB9	222	250
MPB10	223	250
MPB11	223	250
MS Series	52,53	241
OG Series	24,25,29	238
Parsons	191	249
PB1	18	237
PCS1 Series	11	237
PCS2, PCS3	13	237
PCS4 Series	17	237
PCS5	18	237
PCS6	12	237
PCS7, PCS8	14	237
PCS9	15	237
PCS10, PCS11	16	237
PCS12, PCS13	15	237
PCS14	18	237
PCS17, PCS18	19	237
PCS19 Series	20	237
PCS20	8	237
PCS21	7	237
PCS22	8	237
PCS24, PCS25	9	237
PCS26, PCS27	10	237
PCS28	5	N/A
PG Series	33	240
PS Series	33	240
PSCR1, PSCR3	51	241
PSCR5	52	241
PSCR6	50	241
PSH1	104	website
PT1	11	237
PTH1, PTH2	158	247
PU3	37	241
RCK1-RCK5	141	246
RCK6-RCK8	142	246
RCK9-RCK12	143	246
RCK13, RCK14	144	246
RCK15, RCK16	145	246
RCK17	146	246
RCK18	138	website
RCK20	138	website

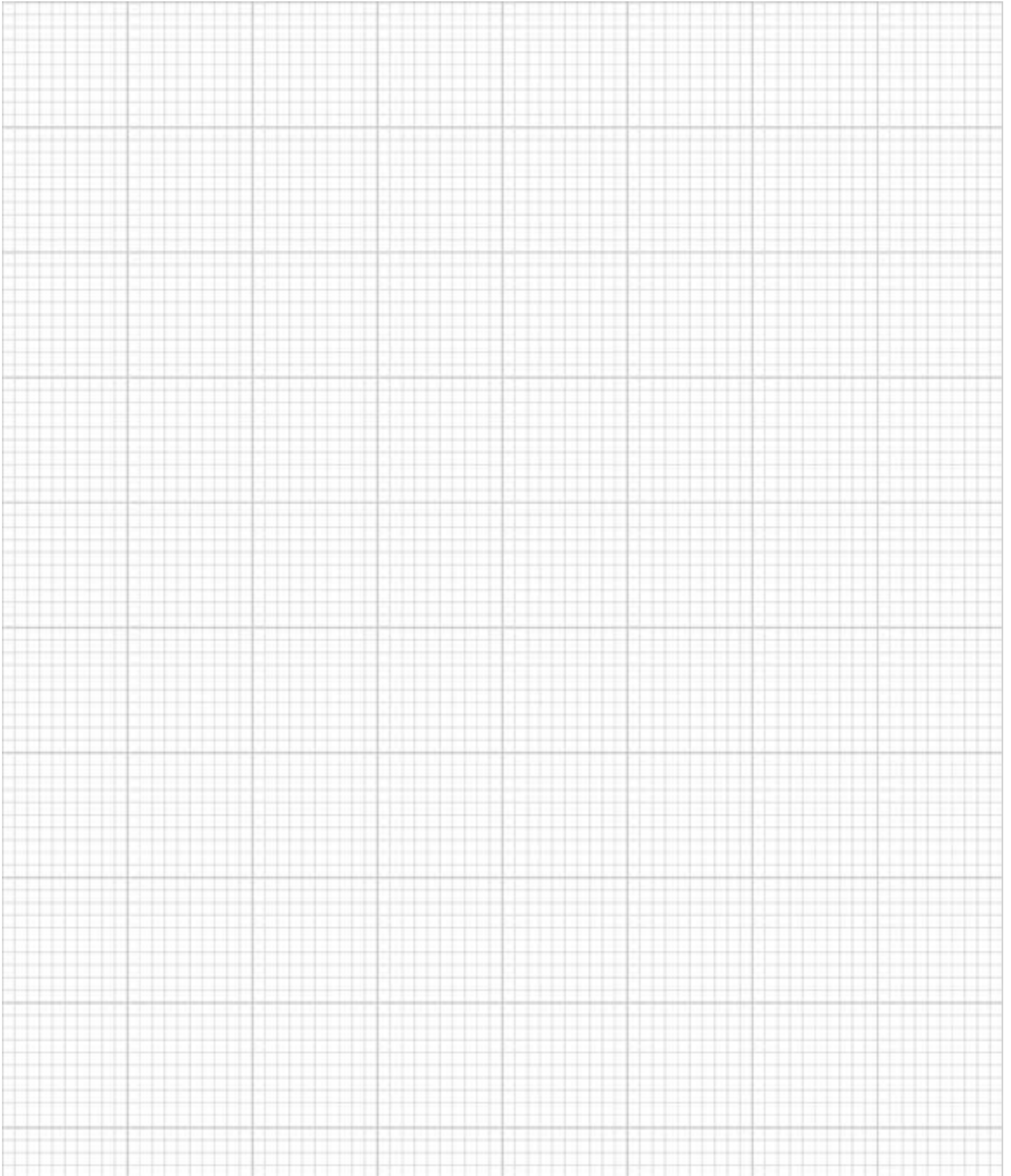
Part No. Series	Catalog Page	Pricing Page
RG Series	31	239
RT1, RT2	230	251
SB6, SBXB6 Series	86	244
SC2	213	250
SG Series	24,25,29	238
SH1, SH2	215	250
SH3-SH5	214	250
SH6	210	250
SH7, SH7A	209	250
SH8	210	250
SH9 Series	208	250
SH10	209	250
SH11, SH12	212	250
SH12A	139	website
SH13	213	250
SH14, SH15	206	250
SH16	207	250
SH17	216	250
SH18	210	250
SH19	216	250
SH20	211	website
SH23	105	website
SH24	105	website
SL Series	167	247
SPD1-SPD4	154	247
SPH1-SPH3	152	247
SPH4-SPH6	153	247
SPH7	138	website
SPH8	139	website
SS SERIES	38	241
SWS1, SWS2	217	250
SWS3, SWS4	218	250
SWS5	219	250
TB1, TB2	55	241
TB6	54	241
TBR1-TBR4	151	247
TBR5, TBR6	138	website
TG Series	24,25,29	239
THB1-THB3	155	247
THB4	138	website
TL-Cylinders/Cubes	190	249
TL27P	176	248
TL27R	176	248
TL27W	178	248
TL28P	176	248
TL28R	176	248
TL28W	178	248
TL34P	176	248
TL34R	176	248
TL34W	178	248
TLC - Contrast	182	249
TLE - Egyptoid	186	249
TLEL1	192	249
TLEL2	193	249
TLF - Fields	181	249
TLF2AE/27-94	5	website

Part No. Series	Catalog Page	Pricing Page
TLFAEX	183	249
TLK - Kyros	185	249
TLK - Kyros Plus	184	249
TLM	181	249
TLO - Oval	182	249
TLRAL	180	249
TLRFA - Ariel	189	249
TLRFB - Baldwin	188	249
TLRFBIG - Big Boy	188	249
TLRFZ - Zola	187	249
TLRUL	178	249
TLS - Square	182	249
TLWH - Whitely	179	249
TLWOOD	183	249
TM Series	39	241
TPH1-TPH3	149	246
TPH4-TPH7	150	246
TPH8	138	website
WG2, WG3	40	241
WG4, WG5	41	241
WG6, WG7	42	241
WGAVG Series	69	242
WH1	66	242
WM1	79	243
WM2, WM2A	78	243
WM3	79	243
WM4	81	243
WM6	78	243
WM7	83	243
WM8, WM8A	80	243
WM9	81	243
WM10	82	243
WM11, WM11A	83	243
WM12	82	243
WM13	85	243
WM14	75	243
WM15A	76	243
WM16	74	243
WM17	76	243
WM18, WM19	77	243
WM20	73	243
WM21	87	243
XG Series	24,25,29	239
YG Series	24,25	239
ZC3	231	251
ZG Series	24,25	239
ZGAVG Series	25,26,29,68	239

For notes and sketches



For notes and sketches



For notes and sketches

