



DRUMMONDS

CLASSIC · HANDMADE · QUALITY



THE WORLD OF DRUMMONDS



Welcome to the world of Drummonds

We have established an excellent reputation as a major supplier of architectural antiques – providing a wide range of reclaimed building materials and unique architectural features. Today, however, the products we manufacture play a significant and increasing role in our business.

We are proud to present Drummonds' ranges of new handmade bathrooms, door and window furniture and information about our comprehensive reclaimed flooring services within this catalogue.

Over the years, we have handled a vast array of wonderful original antique bathroom equipment and door furniture. From amongst all these treasures, we have chosen to make a few of the finest designs using traditional methods and the same exacting standards applied when making the originals a century or more ago.

We are alone in exclusively employing the lost wax method to produce our fabulous range of solid brass bathroom and door furniture products. The lost wax process means that for every component in a finished door knob or plumbing fitting, an original in wax was made, only to be destroyed in the process. The benefit is that extremely fine detail can be reproduced.




This hands-on approach applies to the preparation and installation of our reclaimed flooring as well. Reclaimed floor boards must be de-nailed in a laborious process that cannot be mechanised. Then, each board is prepared and sanded individually to retain the original patina of age.

All our products are made by hand in our own workshops. In this age of mass production and synthetic materials, we are making products to last a lifetime and we think the effort is worthwhile.

I hope you find this catalogue a useful resource in choosing your new bathroom or items of door furniture. Indeed, I hope you are encouraged to visit our showrooms to view samples of our reclaimed flooring and architectural antiques as well.

If any questions remain, please do not hesitate to contact us through one of our showrooms in Chelsea, London, or Hindhead, Surrey. We look forward to seeing you soon.



Drummond Shaw
Founder

Contents

Baths and bathrooms	page 06
Flooring	page 58
Brass door and window furniture	page 68
Architectural Antiques	page 98



Baths and bathrooms

Drummonds' bathrooms are distinctively different. By using traditional manual techniques, Drummonds is able to produce classic British designs that would not be possible with machine manufacturing.

Its Spey bath for example, is believed to be the largest cast iron bath made in the world today. This is only possible because it is handmade. The Naver plunger basin has an elegant waste outlet that must be hand cut. The company's ingenious plunger waste for baths is traditional, functional and fun to use – yet its height must be matched to the bath on which it is used.

These are not production line products. Indeed, the classic styles and generous sizes of many items used in Drummonds' bathroom suites are challenging to make even by hand. Quantities may be limited but styles and quality are outstanding. Baths are cast with unique numbers to facilitate quality checks at each production stage, giving the company the confidence to offer an unprecedented 25 year guarantee.

Some of Drummonds' new classic English designs this year are the Barra range of basin mixer taps; the Dalby thermostatic shower, with a choice of two extraordinarily large shower roses; the Ness and Lomond cast iron baths which are designed for installations under a marble surround; the Cam corner basin designed to fit limited spaces; and new heated towel rails which have especially chunky dimensions and are custom made to customer requirements.



Drummonds' first built-in bath, the Ness and Lomond offers a fresh perspective on traditional cast iron craftsmanship. Two sizes provide flexibility to your space planning and surrounds can be handmade to your specification in a wide variety of materials.

THE NESS AND THE LOMOND

CAST IRON



DAD1011 **Ness 1950 (round end)** £1995
 DAD1013 **Lomond 1950 (square end)** £1995

Lomond 1950 bath with custom metallic exterior finish and optional cast iron scroll feet.

Double-ended cast iron bath with rounded or square ends. Suitable either freestanding or built-in with a full surround.

Standard finish: exterior protective coating (built-in only).

Standard feet: plain adjustable feet suitable for use with a surround.

Optional cast iron scroll feet are also available. **£195**

Recommended waste: Plunger waste unit with or without trap.

For further waste options please refer to the Bath wastes and fittings section – see page 33.

Special finishes available at an additional cost:

- Smoothed and primed exterior and feet, ready to paint. **£250**
- Custom exterior and feet factory paint finish – matt or metallic. **£425** (plus the cost of primed finish)
- Hand polished and lacquered exterior and feet. **£1000**

Cost of special finish for feet only:

- Hand polished and lacquered. **£290**
- Nickel or chrome plated. **£290**

Size

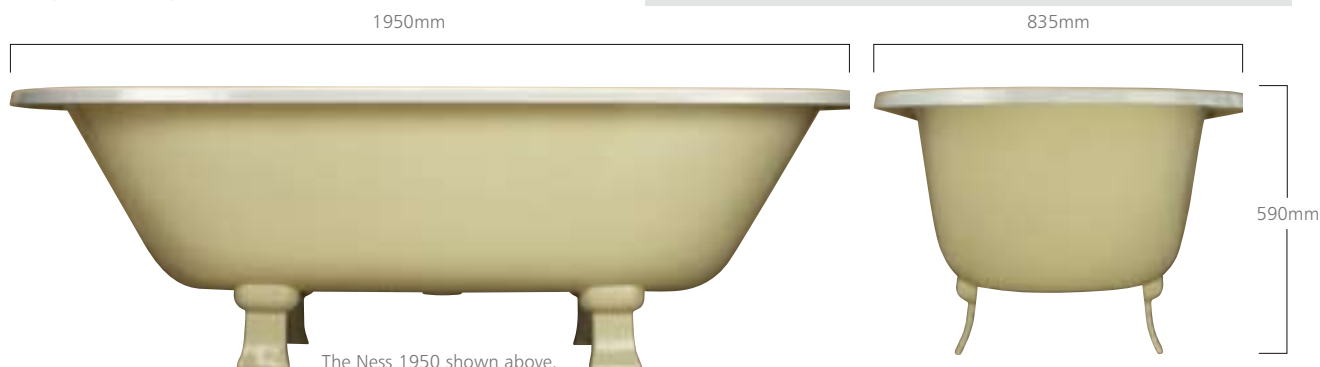
Length: 1950mm
 Width: 835mm
 Height: 590mm
 (including adjustable feet approx. 150mm)
 Capacity: 300 litres
 Weight: 180kg

The Ness and Lomond come in a shorter length which is deeper and wider

DAD1012 **Ness 1750** £1495
 DAD1016 **Lomond 1750** £1495

Size

Length: 1750mm
 Width: 870mm
 Height: 630mm (including adjustable feet approx. 150mm)
 Capacity: 280 litres
 Weight: 170kg





Switch off to the world as you stretch out in a Spey, the largest cast iron bath made today. This classic, free-standing bath is shown here with a silver metallic finish.

THE SPEY
CAST IRON



Spey bath with classic ball and claw feet, shown here with a custom metallic exterior finish.

DAD1002A **Spey with classic feet** £3250
DAD1002B **Spey with scroll feet** £3250

Standard finish: smoothed and primed exterior and feet, ready to paint.

Recommended waste: Plunger waste unit with or without trap.

For further waste options please refer to the Bath wastes and fittings section – see page 33.

Special finishes available at an additional cost:

- Custom exterior and feet factory paint finish – matt or metallic. **£425**
- Hand polished and lacquered exterior and feet. **£1000**

Cost of special finish for feet only:

- Hand polished and lacquered. **£290**
- Nickel or chrome plated. **£290**

Size

Length: 1940mm
Width: 865mm
Height: 635mm
Capacity: 300 litres
Weight: 185kg



The Spey bath is also available with hand polished and lacquered scroll feet as shown here.





The Usk is a luxurious, cast iron double-ended bath in a French bateau style. It is available in a wide range of finishes including the walnut veneer shown here.

THE USK
CAST IRON



DAD1006 Usk

£3450

Standard finish: smoothed and primed exterior, ready to paint.

Recommended waste: Plunger waste unit with or without trap.

For further waste options please refer to the Bath wastes and fittings section – see page 33 and 35.

Usk bath with custom metallic exterior finish.

Special finishes available at an additional cost:

- Custom factory paint finish – matt or metallic. **£425**
- Hand polished and lacquered exterior and feet. **£1000**
- Copper cladding. **£1450**
- Walnut veneer. **£1450**

Size

Length: 1650mm
Width: 705mm
Height: 690mm
Capacity: 300 litres
Weight: 180kg





The free-standing Torridge bath is delightfully deep and provides a substantial centrepiece to a period or contemporary bathroom. Shown here with hand polished and lacquered exterior finish.

THE TORRIDGE

CAST IRON



DAD1004 **Torrige**

£3250

Torrige bath shown here with custom matt exterior finish.

Standard finish: smoothed and primed exterior, ready to paint.

Recommended waste: Plunger waste unit with or without trap.

For further waste options please refer to the Bath wastes and fittings section – see page 33.

Special finishes available at an additional cost:

- Custom exterior and feet factory paint finish – matt or metallic. **£425**
- Hand polished and lacquered exterior and feet. **£1000**

Cost of special finishes for feet only:

- Hand polished and lacquered. **£290**
- Nickel or chrome plated. **£290**

Size

Length: 1650mm
Width: 700mm
Height: 775mm
Capacity: 300 litres
Weight: 180kg





Drummonds' classically styled thermostatic shower provides unsurpassed luxury, with the choice of two elaborate and over-sized shower roses for the ultimate showering experience. This elegant shower is equally effective in both contemporary and traditional settings.

THE DALBY THERMOSTATIC SHOWERS



Dalby thermostatic shower block (B/N/C)

Exposed thermostatic shower block with separate controls for water temperature and water flow rate.

Sizes:

Height: 300mm

Centre-to-centre (hot and cold inlets) width: 250mm

Overall shower size:

Overall height: 1600mm (adjustable)

Distance from wall to centre of rose: 535mm

Suitable for pumped or unpumped systems up to 4 BAR (minimum 22mm feed).

The Dalby thermostatic shower block is available with a choice of two roses:

DAD1900

Dalby thermostatic shower block with Shamrock Rose (B/N/C) £1785

(see next page)

DAD1901

Dalby thermostatic shower block with Thistle Rose (B/N/C) £1585

(see next page)

THE DALBY THERMOSTATIC SHOWERS



DAD1900

**Dalby thermostatic shower block
with Shamrock Rose (B/N/C)**

Three bowl shower rose.

Diameter of shower rose: 380mm

This shower rose is also sold separately from **£550**



DAD1901

**Dalby thermostatic shower block
with Thistle Rose (B/N/C)**

Circular shower rose.

Diameter of shower rose: 300mm

This shower rose is also sold separately from **£290**

SHOWER TRAY

CAST IRON



Cast iron shower tray shown with smoothed and primed exterior.

DAD1015 Cast iron shower tray £850

Large cast iron shower tray, vitreous enameled, on ball and claw feet with central waste outlet.

Standard finish: smoothed and primed exterior, ready to paint.

Special finishes available at an additional cost:

- Custom exterior and feet factory paint finish – matt or metallic. **£350**
- Hand polished and lacquered exterior and feet. **£600**

Cost of special finishes for feet only:

- Hand polished and lacquered. **£290**
- Nickel or chrome plated. **£290**

Size

Shower tray: 1055mm x 1055mm

Weight: 105kg



SHIN

GLASS CANOPY BATH



Shower rose.



The Shin canopy bath's hot and cold taps are mounted mid-bath beside the shower diverter control, in an integral block on the side roll allowing easy access while showering or bathing. The bath filler dome fills the bath directly without obstructing the bather.



Internal plunger lifts and turns to empty.



The Shin glass canopy bath with body sprays and mid-bath taps, shown with smoothed and primed exterior.

DAD1005 **Shin glass canopy bath**

£9750 (price does not include glass)

Glass sided cast iron canopy shower bath on ball feet, with 165mm diameter shower rose, integral body shower sprays in each of the four vertical corner columns and plunger waste.

Standard finish: smoothed and primed exterior, ready to paint. All fittings are available in either a nickel or chrome finish.

Special finishes (bath and feet) available at an additional cost:

- Custom factory paint finish – matt and metallic. **£425**
- Hand polished and lacquered exterior. **£1000**

Cost of special finishes for feet only:

- Hand polished and lacquered. **£290**
- Nickel or chrome plated. **£290**

Size

Length: 1905mm
 Width: 835mm
 Height: 2490mm
 Capacity: 300 litres
 Weight: 200kg (without glass)

Suitable for pumped or unpumped systems (minimum 22mm feeds) up to 4 BAR.

S P I T T A L

GLASS SHOWER



Tap block overhangs the shower tray by approx. 130mm. Hot and cold inlets are 22mm. The diverter and tap mixer block mixes water evenly for overhead shower rose and body sprays. As an option tap block may be ordered on the left or right side of the shower entrance.



The Spittal glass shower with body sprays shown with smoothed and primed exterior.

DAD1014 Spittal glass shower

£5950 (price does not include glass)

Glass sided free standing shower with body sprays in each of the four vertical columns, 200mm diameter shower rose and large cast iron vitreous enamelled shower tray on ball and claw feet.
Standard finish: smoothed and primed exterior, ready to paint. All fittings are available in either a nickel or chrome finish.

Special finishes (shower and feet) available at an additional cost:

- Custom factory paint finish – matt and metallic. **£350**
- Hand polished and lacquered exterior. **£600**

Cost of special finishes for feet only:

- Hand polished and lacquered. **£290**
- Nickel or chrome plated. **£290**

Size

Shower tray: 1055mm x 1055mm
 Overall height: 2440mm
 Waste to floor: 130mm
 Glass enclosure: 820mm x 820mm

Suitable for pumped or unpumped systems (minimum 22mm feeds) up to 4 BAR.

BARRA TAPS

A modern classic mixer tap, Drummonds' three-hole mixer taps are available with a variety of heads in both bath and basin configurations.



BARRA TAPS



Custom underbasin fittings
and tap connectors included
(with basin mixer tap only).

The Barra three-hole basin mixer tap (B/N/C) £465

Drummonds' three-hole basin mixer tap is available with either the Mull, Islay or Skye tap head.

DAD1620 **Barra three-hole basin mixer with Mull tap heads**

DAD1621 **Barra three-hole basin mixer with Islay tap heads**
(shown above)

DAD1658 **Barra three-hole basin mixer with Skye tap heads**
(shown opposite)



The Barra three-hole bath mixer tap (B/N/C) £635

Drummonds' three-hole basin mixer tap is available with either the Mull, Islay or Skye tap head.

DAD1630 **Barra three-hole bath mixer with Mull tap heads**
(shown above)

DAD1631 **Barra three-hole bath mixer with Islay tap heads**

DAD1653 **Barra three-hole bath mixer with Skye tap heads**

MULL TAPS



Mull backloader bath mixer (B/N/C) £745

Bath mixer wall mounted, with hand held spray and hose
Available in two spout lengths:

DAD1824 **Standard spout.** Spout (centre-to-centre): 110mm (shown above)

DAD1820 **Extended spout.** Spout (centre-to-centre): 200mm

Straight connectors Wall to centre of spout outlet:

Standard spout: 225mm

Extended spout: 315mm

MULL TAPS



Mull bath mixer (B/N/C) £745

Deck mounted bath mixer with hand held spray and hose.

DAD1742 **Standard spout**
Spout (centre-to-centre): 110mm

DAD1740 **Extended spout** (shown left in nickel)
Spout (centre-to-centre): 200mm

The bath mixer is available with adjustable crank legged connectors or with straight legged connectors. See page 31.



DAD1600 Mull large bath taps (B/N/C) £625

Pair of large bath taps with cross head handles and shields (hidden shaft).

Height: 180mm. Spout (centre-to-centre): 215mm



Mull basin taps (B/N/C) £390

Pair of basin taps with cross head handles and shields (hidden shaft).

Available in two spout lengths:

DAD1605 **Standard spout** (shown left)
Spout (centre-to-centre): 110mm

DAD1610 **Extended spout**
Spout (centre-to-centre): 140mm

Mull handles are also available on Drummonds' three-hole mixer taps. See page 23.

ISLAY TAPS



Islay bath mixer (B/N/C)

£745

Deck mounted bath mixer with hand held spray and hose.
Shown with straight legged connectors and H stand.

Available in two spout lengths:

DAD1748 **Standard spout.** Spout (centre-to-centre): 110mm (shown above)

DAD1746 **Extended spout.** Spout (centre-to-centre): 200mm

The bath mixer is available with adjustable crank legged connectors
or with straight legged connectors. See page 31.

ISLAY TAPS



Islay backloader bath mixer (B/N/C) £745

Wall mounted bath mixer with hand held spray and hose.

DAD1825 Standard spout

Spout (centre-to-centre): 110mm

DAD1823 Extended spout (shown left)

Spout (centre-to-centre): 200mm

Straight connectors

Wall to centre of spout outlet:

Standard spout: 225mm

Extended spout: 315mm



DAD1701

£625

Islay large bath taps (B/N/C)

Pair of large bath taps with butterfly handles with no shield (exposed shaft).

Height: 180mm. Spout (centre-to-centre): 215mm



Islay basin taps (B/N/C)

£390

Pair of basin taps with butterfly handles with no shield (exposed shaft).

Available in two spout lengths:

DAD1707 Standard spout

Spout (centre-to-centre): 110mm

DAD1712 Extended spout (shown left)

Spout (centre-to-centre): 140mm

Islay handles are also available on Drummonds' three-hole mixer taps. See page 23.

SKYE TAPS



Skye basin taps (B/N/C)

£390

Pair of basin taps with star handles and shields (hidden shaft).

Available in two spout lengths:

DAD1657 **Standard spout.**

Spout (centre-to-centre): 110mm

DAD1656 **Extended spout.**

Spout (centre-to-centre): 140mm
(shown above)

All prices include VAT.

SKYE TAPS



Skye bath mixer (B/N/C)

£745

Bath mixer with hand held spray and hose.

DAD1652 **Standard spout**

Spout (centre-to-centre): 110mm

DAD1651 **Extended spout**

Spout (centre-to-centre): 200mm

The bath mixer is available with adjustable crank legged connectors or with straight legged connectors. See page 31.



DAD1650

£625

Skye large bath taps (B/N/C)

Pair of large bath taps with star handles and shields (hidden shaft).

Height: 180mm. Spout (centre-to-centre): 215mm



Skye backloader bath mixer (B/N/C) £745

Wall mounted bath mixer with hand held spray and hose.

Available in two spout lengths:

DAD1655 **Standard spout**

Spout (centre-to-centre): 110mm

DAD1654 **Extended spout**

Spout (centre-to-centre): 200mm

Straight connectors

Wall to centre of spout outlet:

Standard spout: 225mm

Extended spout: 315mm

Skye handles are also available on Drummonds' three-hole mixer taps. See page 23.

BATH WASTES AND FITTINGS

Drummonds' 'H' stand is designed to support bath taps in installations where wall or deck mounting is not desired or possible. Base connections are threaded and are hidden under escutcheons to allow simple above the floor connections.



DAD1205 shown here with single bath taps.

DAD1205 **£540(B) £590(N/C)**
'H' stand for single bath taps - wide stance

'H' stand for single taps in brass. Threaded connections 26mm for taps and 22mm compression at base inlets. Centre-to-centre 275mm.

Available in a brass, nickel or chrome finish.

Taps sold separately



Base connections are hidden under escutcheons (above).

DAD1206 shown here with crank legged connectors and mixer tap.

DAD1206 **£540(B) £590(N/C)**
'H' stand for bath mixer taps - standard

'H' stand for mixer taps in brass. Threaded connections 22mm for taps and 22mm compression at base inlets. Centre-to-centre 230mm.

Available in a brass, nickel or chrome finish.

Please note:
When choosing straight connectors on mixer taps mounted on a 'H' stand both must be ordered at the same time to ensure proper fit.

Taps sold separately

BATH WASTES AND FITTINGS



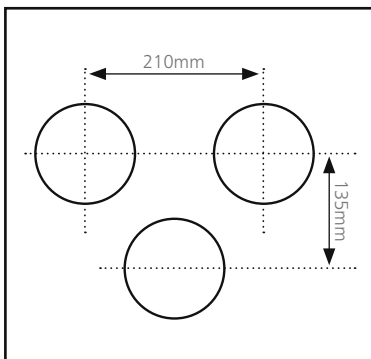
'H' stand, using straight connectors.



'H' stand, using adjustable crank legged connectors.



Tripod support.



Plan view of tripod feet
(also available without tripod leg).



DAD1207 shown here
with straight connectors
and mixer tap.

DAD1207 **£640(B) £690(N/C)** **'H' stand with tripod support**

Drummonds' handmade 'H' stand with tripod base in brass is available for bath mixer taps and also in a wide stance, suitable for single bath taps.

Available in a brass, nickel or chrome finish.

Please note:
When choosing straight connectors on mixer taps mounted on a 'H' stand both must be ordered at the same time to ensure proper fit.

Drummond's products are all handmade. Dimensions are therefore subject to minor deviation.

Taps sold separately



Drummonds' plunger waste systems are the ultimate waste systems for cast iron baths. Incorporating the functions of plug and overflow in a single unit, the plunger may be positioned anywhere outside of the bath.

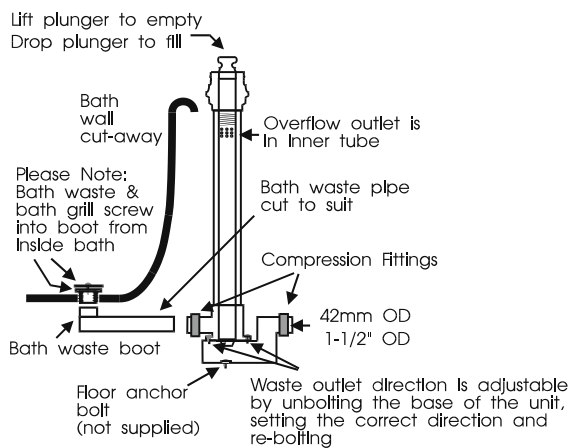
BATH WASTES AND FITTINGS



DAD1102 Plunger waste and overflow unit with trap

DAD1102 £890(B) £990(N/C)
Plunger waste unit with trap

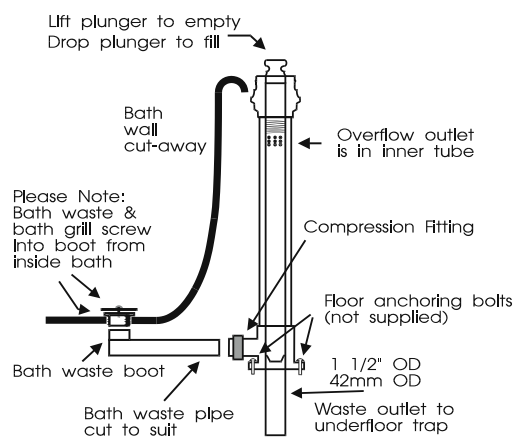
Plunger unit with floor mounted trap, designed for installations where pipe work must be above the floor. Standard unit has 38mm grilled waste and integral trap. Available in a brass, nickel or chrome finish.



DAD1102 Plunger waste with integral trap

DAD1114 £890(B) £990(N/C)
Plunger waste unit without trap

Plunger unit, straight outlet without trap, designed for use where there is access for an under the floor trap. Available in a brass, nickel or chrome finish.



DAD1114 Plunger waste without trap

DAD1106 £60
Long plunger connection pipe

This is required for installation of DAD1102 and DAD1114 at the end of the bath.

BATH WASTES AND FITTINGS



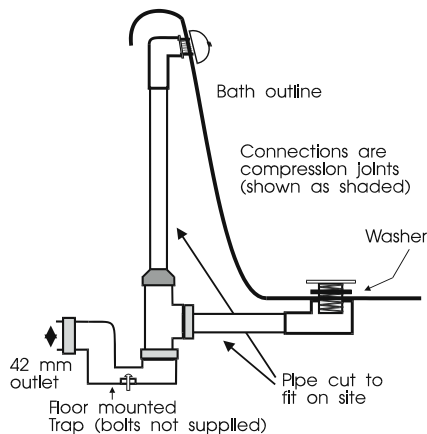
DAD1107 £700(B) £770(N) £790(C)
Combination waste

The combination waste unit has an integral trap which is ideal for installations where pipe work must be above the floor and where the bath has a conventional overflow outlet.

Standard combination waste unit with 38mm bath waste, rubber plug and handmade chain, overflow dome and connection pipe from overflow to adjustable integral trap in brass.

Also available in a nickel or chrome finish.

The trap swivels in any required direction and is secured through integral lugs.



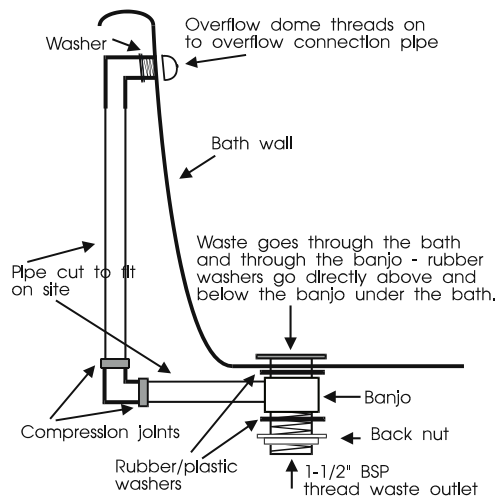
DAD1107 Combination waste



DAD1111 £465(B/N/C)
Banjo waste

The banjo waste is for use in conventional waste overflow connections where the pipe work is open to view.

Standard unit has 38mm bath waste, overflow dome, rubber plug, handmade chain, overflow to waste connector in brass. Also in nickel or chrome finish.



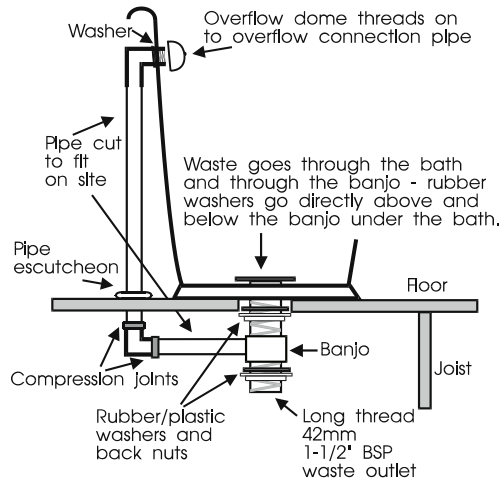
DAD1111 Banjo waste standard assembly

BATH WASTES AND FITTINGS

DAD1112 Additional £130 Banjo waste adaptation for use with Usk bath

(DAD1111 Banjo waste £465 See page 34)

Special adaptation is required for use with the Usk bath because overflow pipe work must pass through the floor, requiring long waste, spacer and escutcheon



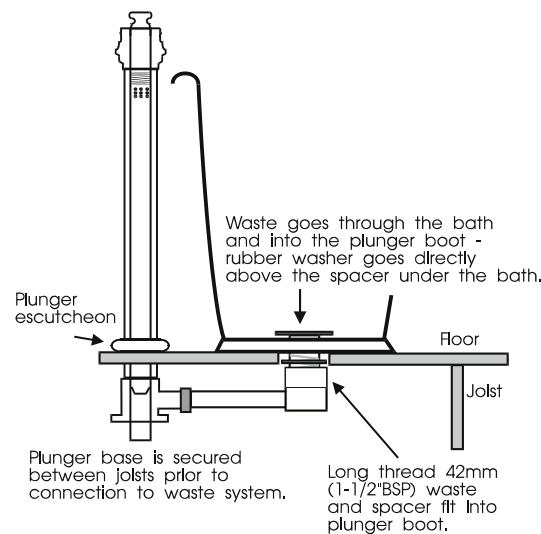
DAD1111 Banjo waste assembly for Usk bath

DAD1115 Additional £130 Plunger waste adaptation for use with Usk bath

(DAD1102 Plunger waste or DAD1114 £890 / £990 See page 33)

For use with the Usk bath, the bath must have a minimum clearance of 150mm under the floor, or be on a raised plinth with a minimum clearance of 150mm.

As the plunger must pass through the floor a spacer and escutcheon is required. Please also specify plunger position i.e. at side or end of Usk bath, as plunger height is dependent on its position.



DAD1115 Adaptation kit for use with Usk bath

BATH WASTES AND FITTINGS



DAD1201 **£185(B) £240(N/C)**
Waste, plug, chain overflow dome (shown left)

DAD1202 **£185(B) £240(N/C)**
Waste, plug, chain overflow cover (shown right)

Handmade bath waste with dome or traditional overflow cover. Including: 38mm solid brass bath waste, natural rubber plug, brass chain, domed or traditional overflow cover in brass.
Waste flange diameter: 80mm

Also available in a nickel or chrome finish.

BATH WASTES AND FITTINGS



DAD3050 **£365(B/N/C)**
Bath filler - lion head spout

Lion's head spout, handmade in solid brass with 26mm male iron threaded inlet. 110mm x 110mm in brass.

Also available in a nickel or chrome finish.

DAD1200 **£140(B/N/C)**
Bath waste, rubber plug and chain

Handmade bath waste, plug and chain in brass.

Also available in a nickel and chrome finish.

DAD1150 **£60**
Replacement rubber plunger washer

Custom made replacement rubber washers for plunger, 45mm ID.



The classic Naver basin features a built-in plunger and hand cut waste outlet. Its rectangular profile provides a surprisingly modern touch to what is one of Drummonds' most technically complex bathroom pieces.

BASINS AND BASIN ACCESSORIES



The Naver basin and stand shown here in a nickel finish with Islay taps.

DAD9001 **£890(B) £945(N/C)**
The Naver plunger waste wash-hand basin

The Naver hand basin with plunger.
Size: 762mm x 545mm

DAD9003 **£545(B) £645(N/C)**
The Naver basin stand

The Naver basin stand in solid brass.
895mm high to top of basin.
Also available in a nickel or chrome finish.

Please note:
Trap and taps are sold separately.

BASINS
AND BASIN ACCESSORIES



The Kinloch basin and stand shown here in a nickel finish with Mull taps.

DAD9000
The Kinloch basin

£685(B/N/C)

The Kinloch basin with solid brass grilled overflow, waste, natural rubber plug and chain.
Size: 765mm x 580mm

Also available with nickel or chrome fittings.

DAD9002
The Kinloch basin stand

£545(B) £645(N/C)

The Kinloch basin stand in solid brass.
850mm high to top of basin.
Also available in a nickel or chrome finish.

DAD9006
The Kinloch basin (for three-hole mixer tap)

£685(B/N/C)

The Kinloch basin is available with three holes to accept basin mixer taps with separate spout. Please refer to page 23 for the Barra range.

Please note: Trap and taps are sold separately

BASINS AND BASIN ACCESSORIES



DAD9009 **£390**
The Syre small basin

Syre small basin, with two tap holes.
Size: 600mm x 400mm

DAD9015 **£395**
The Lair small basin

Using the same design as the Syre, the Lair has three tap holes to accommodate a three-hole mixer tap.
Size: 600mm x 400mm. Please refer to page 23 for the Barra range.



DAD3030 **£135(B) £168(N/C)**
Small basin bracket with towel bar

Small basin brackets with towel bar in solid brass.
Size: 335mm x 190mm

Also available in a nickel or chrome finish.



Drummonds' collection of vanity basins for mounting under a surround can be paired with a wide variety of surround materials, handmade to your specifications.

BASINS
AND BASIN ACCESSORIES



DAD9005

£370

The Morie vanity basin

Vanity basin with slotted overflow for mounting under surround.

Size: 575mm x 485mm x 220mm



DAD9008

£370

The Morven vanity basin

Vanity basin with hidden overflow outlet for mounting under surround.

Size: 580mm x 575mm x 270mm



DAD9016

£370

The Moy vanity basin

Oval vanity basin for use under surround, especially designed to fit smaller spaces.

Size: 455mm x 380mm x 225mm

Shown opposite: Marble surround, with stand and Morie vanity basin, waste, plug, chain and taps £2180.

BASINS
AND BASIN ACCESSORIES



DAD9007

£390

The Cam corner basin

490mm x 490mm x 260mm

Drummonds' corner basin, with hand cut slotted overflow and side soap drainers, elegantly makes efficient use of limited space.

Please note: Trap and taps sold separately.



DAD1225 **£149 (B/N/C)**
Bottle trap for basin 1-1/4"

DAD1226 **£149 (B/N/C)**
Bottle trap for sink 1-1/2"

BASINS AND BASIN ACCESSORIES



DAD1230 **£95(B) £128(N/C)**
Basin waste, plug, chain and anchor

Basin waste (32mm), natural rubber plug and handmade chain in brass. Available with flange diameters of 60mm, 70mm and 80mm.

Also available in a nickel or chrome finish.



DAD7010 **£70/metre(B/N/C)**
Basin chain (shown top)

DAD7014 **£90/metre(B/N/C)**
Bath chain (shown bottom)

Basin and bath chain in brass.

Also available in a nickel or chrome finish.



The same classic design and exceptional quality which defines the Drummonds' bathroom collection is evident throughout the WCs, cisterns and accessories range, offering timeless styles to complete your bathroom.



W C S , C I S T E R N S AND ACCESSORIES



DAD1240 **£55(B) £70(N/C)**
Cistern pull and chain

China lavatory pull and chain in brass.

The chain is also available in a nickel or chrome finish.



DAD9010 **£280**
The Dunnett WC pan

The Dunnett classic style P-trap WC pan.



Side view of the Dunnett
WC pan, showing P-trap.

The complete Casseley low level cistern, illustrated opposite, including walnut seat, retails at £1440.

W C S , C I S T E R N S AND ACCESSORIES

Drummonds' loo seats are hand finished in the finest hardwoods and joints are dowelled for extra strength.



Hand made lavatory seat

DAD1505MA	Mahogany	£295
DAD1505OA	Oak	£295
DAD1505WA	Walnut	£375

The perfect lavatory seat for use with Drummonds' low level WC suite, may also be used with the high level WC suite.



Hand made lavatory seat - Throne

DAD1508MA	Mahogany	£395
DAD1508OA	Oak	£395
DAD1508WA	Walnut	£475

Throne seats have back-plates with moulded cut-outs designed for use with high level cisterns where the flush-pipe is tight to the wall.

W C S , C I S T E R N S AND ACCESSORIES



Lavatory roll holder with wood back-plate

DAD1401MA	Mahogany	£195(B/N/C)
DAD1401OA	Oak	£195(B/N/C)
DAD1401WA	Walnut	£195(B/N/C)

Lavatory roll holder on polished wood back-plate with fittings in brass. Mahogany, oak or walnut back-plates are available. Please specify wood type.

Fittings are also available in a nickel or chrome finish.



DAD1407 **£172(B) £195(N/C)**
Lavatory roll holder

Lavatory roll holder with back-plate in solid brass.

Also available in a nickel or chrome finish.



DAD1408 **£85(B/N/C)**
Lavatory roll holder single arm

Mounted on a pattress this lavatory roll holder is simply elegant.

WCs, CISTERNS AND ACCESSORIES



DAD9020 shown with single mahogany pattern and chunky cistern brackets, sold separately



DAD9020 **£545(B) £585(N/C)** **The Brora high level cistern**

The Brora high level cistern including china pull and handmade chain and flush lever in solid brass.
Size: 520mm x 260mm x 245mm.

The pull, chain and flush lever are also available in a nickel or chrome finish.

Recommended installation height:
1800mm - 2000mm from floor.

DAD9021 **£545(B) £585(N/C)** **The Casseley low level cistern**

The Casseley low level cistern with flush handle in solid brass. Size: 510mm x 320mm x 250mm.

The flush handle is also available in a nickel or chrome finish.

Recommended installation height:
700mm - 800mm from floor.



DAD9025 **£640(B) £690(N/C)** **The Walnut low level cistern**

Walnut low level cistern with flush handle in solid brass.
Size: 555mm x 415mm x 195mm.

The flush handle is also available in a nickel or chrome finish.

Recommended installation height:
700mm - 800mm from floor.

WCs, CISTERNS AND ACCESSORIES



DAD3020 Cistern bracket shown here in a nickel finish.

Cistern brackets - chunky

DAD3020 **Small** **£95(B) £115(N/C)**
Size: 180mm x 180mm.

DAD3022 **Large** **£95(B) £115(N/C)**
Size: 230mm x 230mm.

Both available in brass, nickel or chrome finish.



DAD1255WA
Single cistern pattress in walnut (shown with DAD3020 brackets in a nickel finish).

Single hardwood cistern pattress

DAD1255MA	Mahogany	£49
DAD1255OA	Oak	£49
DAD1255WA	Walnut	£49

Size: 455mm x 280mm

Also available in pine DAD1265 **£39**

DAD3023 **£95(B/N/C)**
Cistern brackets (Fleur-de-lys)

Size: 155mm x 145mm

These brackets provide a decorative alternative as cistern brackets or for general purposes.



DAD3025 Cistern bracket shown here in a nickel finish.

Cistern brackets - slim

DAD3024 **Small** **£85(B/N/C)**
Size: 103mm x 180mm.
Suitable for Walnut cistern DAD9025

DAD3025 **Large** **£85(B/N/C)**
Size: 103mm x 217mm.

Both available in brass, nickel or chrome finish.



DAD1250MA
Pair of cistern pattresses in mahogany (shown with DAD3020 brackets in a nickel finish).

Pair of hardwood cistern pattresses

DAD1250MA	Mahogany	£29
DAD1250OA	Oak	£29
DAD1250WA	Walnut	£29

Size: 290mm x 85mm each

Also available in pine DAD1260 **£29**



W C S , C I S T E R N S AND ACCESSORIES



DAD1237 Wall clip
with integral seat bumper



DAD1237
High level flush pipe

£168 (B/N/C)

High level flush pipe includes flush pipe and clip with rubber seat bumper in two sections, to ease installation. Flush pipes are handmade in 1mm thick seamless solid brass tube. (Recommended drop for high level cistern flush pipe is 1800mm - 2000mm.)

Also available in a nickel or chrome finish.



DAD1234 **£115(B/N/C)**
Low level cistern flush pipe

Low level flush pipe. Flush pipes are handmade in 1mm thick seamless solid brass tube. (Recommended drop for low-level cistern flush pipe is 700mm - 800mm.)

Also available in a nickel or chrome finish.



DAD1241 **£95 (B/N/C)**
High level flush pipe nut cover

High level cistern flush pipe nut cover (hides waste nut outlet at base of cistern). Size: approx 77mm x 60mm

RADIATOR AND RADIATOR VALVES



600mm high x 270mm deep cast iron radiator

Decorative cast iron radiator supplied with a primer coating. Custom factory matt or metallic paint finish available at £15 per section.

DAD8501	3 section 210mm length	£375
DAD8501	4 section 280mm length	£450
DAD8501	5 section 350mm length	£540
DAD8501	6 section 420mm length	£620
DAD8501	7 section 490mm length	£710
DAD8501	8 section 560mm length	£830
DAD8501	9 section 630mm length	£920
DAD8501	10 section 700mm length	£1040

Radiator and heated towel rail valves

DAD1751 **£170 (B/N/C)**

1/2" manual radiator valves

Pair of manual 1/2" (15mm) brass radiator valves with wood handle.

DAD1752 **£195 (B/N/C)**

1/2" thermo radiator valves

Pair of thermostatic 1/2" (15mm) brass radiator valves with wood handle.

DAD1755 **£215 (B/N/C)**

3/4" manual radiator valves

Pair of manual 3/4" (22mm) brass radiator valves with wood handle.

DAD1756 **£250 (B/N/C)**

3/4" thermo radiator valves

Pair of thermostatic 3/4" (22mm) brass radiator valves with wood handle.



1/2" manual radiator valve DAD1751 and 1/2" thermostatic radiator valve DAD1752. Shown here in a chrome finish.





HEATED TOWEL RAILS

Drummonds heated towel rails are all handmade, allowing for custom size requirements to be made as required.



Floor/wall mounting heated towel rail with 5 bars.



Wall/wall mounting heated towel rail with 4 bars.



Air-bleed vent

Floor/wall mounting heated towel rails

Heated towel rail with large nutted joints, floor/wall mount.

Available in:

3 bars DAD1800 **£1660 (B/N/C)**

Up to 1m wide by 3 bars. Height: 1m

4 bars DAD1801 **£1770 (B/N/C)**

Up to 1m wide by 4 bars. Height: 1.3m.

5 bars DAD1802 **£1880 (B/N/C)**

Up to 1m wide by 5 bars. Height: 1.6m.

6 bars DAD1803 **£1995 (B/N/C)**

Up to 1m wide by 6 bars. Height: 2m.

Wall/wall mounting heated towel rails

Heated towel rail with large nutted joints, wall mounting.

Available in:

4 bars DAD1805 **£1660 (B/N/C)**

Up to 1m wide by 4 bars. Height: 1m.

5 bars DAD1806 **£1770 (B/N/C)**

Up to 1m wide by 5 bars. Height: 1.3m.

6 bars DAD1807 **£1880 (B/N/C)**

Up to 1m wide by 6 bars. Height: 1.6m.

For towel rails wider than one metre please add £150 per 200mm additional width or part thereof. Maximum width is 1600mm.

All Drummonds' heated towel rails are available in a brass, nickel or chrome finish.

Please note: Valves are sold separately. Please refer to page 53 for solid brass radiator valves and heated towel rail valves.

BATHROOM LIGHTING

Drummonds' high quality solid brass lighting fixtures, suitable for bathroom use, combine innovative design and craftsmanship with the finest castings and exquisite glass.



NOR8522 **£285**
Williams Sconce, double opal shade

Available in a chrome or brushed nickel finish.
Size: height: 19.5cm width: 40cm



NOR8523 **£340**
Williams Sconce, triple opal shade

Available in a chrome finish.
Size: height: 20cm width: 59cm



NOR8334 **£225**
Deco Sconce, single opal shade

Available in a polished nickel or polished nickel with brass detail finish.
Size: height: 24cm width: 14cm



NOR8336 **£365**
Deco Sconce, triple opal shade

Available in a polished nickel finish.
Size: height: 24cm width: 60cm

BATHROOM LIGHTING



NOR8121 **£195**
Birmingham Sconce, single shade

Available with a pyramid or square style shade, in a chrome finish or a pyramid style shade, in a brushed nickel finish.
Size: height: 22.5cm width: 12.5cm



NOR8122 **£285**
Birmingham Sconce, double shade

Available with a pyramid or square style shade, in a chrome finish.
Size: height: 22.5cm width: 34.5cm



NOR8231 **£370**
Decorative Sconce, single opal shade

Available in polished nickel, with a splashed opal shade or brushed nickel, with a shiny opal shade.
Size: height: 28.5cm width: 14cm

CARE FOR YOUR DRUMMONDS PRODUCTS

Vitreous enamel cast iron bath

Drummonds cast iron baths are the only new baths on the market today that are enamelled using the traditional vitreous dry frit (powdered glass) process. The resultant enamel is incredibly hard and durable and approximately three times thicker than the wet coated enamel more commonly used today. Drummonds is so confident that one of our baths will last you a lifetime that each one is supplied with a market leading 25 year guarantee. The guarantee covers manufacturing defects or physical deterioration in the interior enamel finish.

To care for your enamelled bath, clean it regularly using a mild non-abrasive detergent applied with a soft cloth and plenty of water to wash away gritty deposits. Ensure that your taps and shower are properly maintained so that they do not drip; this hampers the build up of dirt and limescale.

If the exterior of your bath is polished, clean it occasionally with a soft cloth and wax it with a pure wax polish.

Brass products

Drummonds brassware products are made using the lost wax process from 100% brass. They have been

individually assembled, hand polished and, if required, plated in chrome or nickel. All Drummonds' brassware products are supplied with a 1 year guarantee against manufacturing defects and physical deterioration in the exterior plated finish.

Never use abrasive cleaning materials on brassware. Use a mild non-abrasive bathroom cleaner. For stubborn stains, particularly in hard water areas, lightly apply a proprietary nickel/chrome cleaner.

China sanitaryware

As with the other products in the Drummonds range, china sanitaryware is handmade using the finest materials to give a classic quality finish. All china sanitaryware products are supplied with a 1 year guarantee against manufacturing defects and physical deterioration in the glazed finish.

When cleaning, use any proprietary bathroom cleaner.

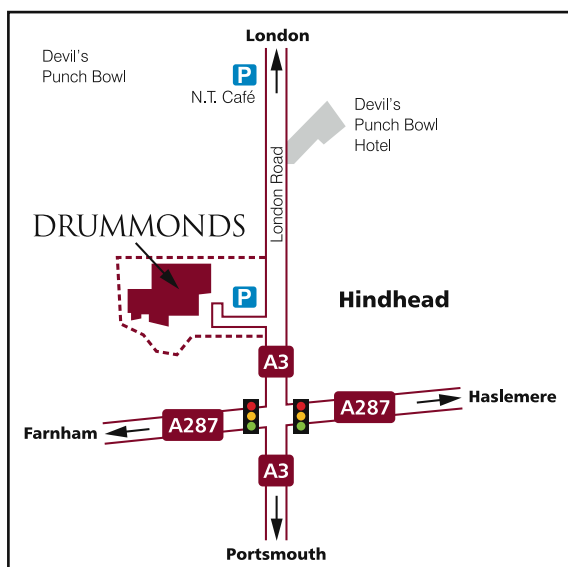
Installation

Drummonds' products should be installed by a qualified plumber in accordance with water regulations. Any questions about installation should be directed to the technical support line on 01428 609444.

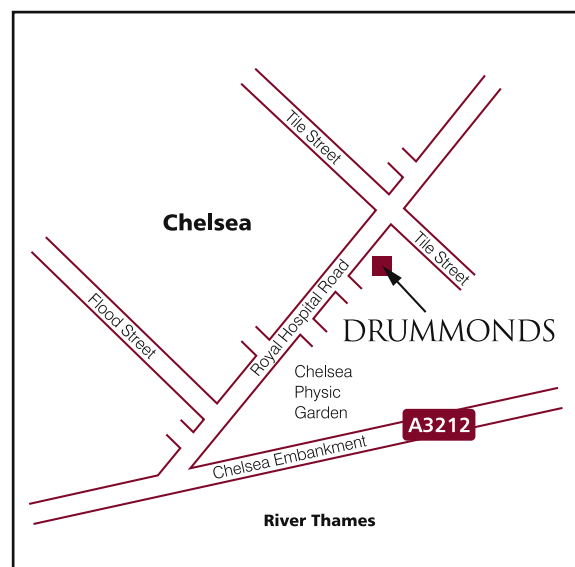
Notes:

- 1 All prices include VAT at current rate. All prices and product descriptions within this catalogue are correct at the time of going to press.
- 2 All Drummonds' cast iron baths are handmade, therefore dimensions may vary slightly.
- 3 All photographs within this brochure are of actual room sets or products, colours have been matched as closely as possible, but there may be slight variations due to the printing process.

Hindhead Location Map



Chelsea Location Map





DRUMMONDS

The Kirkpatrick Buildings
25 London Road Hindhead,
Surrey GU26 6AB
Tel: 01428 609444
Fax: 01428 609445

www.drummonds-arch.co.uk

78 Royal Hospital Road
Chelsea, London
SW3 4HN
Tel: 020 7376 4499
Fax: 020 7376 4488