

Caravan- Awnings 2010



Awnings with style

Ideas for living spaces...

Have you ever thought about how much time you as a caravanner spend in your awning?

If you do, you will find that your awning is a major holiday location: in the morning for a cosy breakfast, as a meeting point and play area for the children, a shady refuge on hot days, a place to sit with friends in the evening, and much more. The awning must come up to your requirements with regard to quality, material selection and versatility. With over 20 different model variants available, our product range caters for almost every conceivable requirement.



We offer the following models and combinations of materials:

A	Roof: TenCate - coated from outside Side-wall: TenCate - coated from outside Front-wall: TenCate - coated from outside	C	Roof: PVC - coated from inside and outside Side-wall: PVC - coated from inside and outside Front-wall: TenCate - coated from outside
B	Roof: PVC - coated from inside and outside Side-wall: TenCate - coated from outside Front-wall: TenCate - coated from outside	D	Roof: PVC - coated from inside and outside Side-wall: PVC - coated from inside and outside Front-wall: PVC - coated from inside and outside

Please note:

Important detailed information on the individual awning models can be found on the fold-out page on the right of the rear cover page.

- *red dot:* forms part of the equipment/ contents of the awning.
- *no red dot:* does not form part of the equipment/ contents of the awning.

Travel awnings und sunroofs

Awnings made from lightweight, hardwearing materials and with an equipment which makes travelling easy and pleasant.

		Material	Page
Rasant/ Rapid	... the ultimate easy-to-assemble awnings Awning depth approx. 285 cm	A	8 - 9
Centimo	... 5-piece awnings with large ventilation windows Awning depth approx. 240 cm	A	10-11
Safir TL	... with 28 mm aluminium frame and PowerGrip Awning depth approx. 240 cm	A	12-13
Platin 280	... 280 cm deep travel awning Awning depth approx. 280 cm	A	14-15
Arcade TL	... with arched frame, aluminium 28 mm and PowerGrip Awning depth approx. 240 cm	A	16-17
Wohnwagen-Sonnendächer			
Capri Luxus	... Luxury sunroof with separate front wall	A	47
Sunny Top	... Sunroof with removable side walls	A	46
Vorzelt-Sonnendächer			
Solair/ Rondo	... the universal awning sunroofs	A	45+48
Parasol XL	... Luxury awning sunroof with separate side walls	A	49

All-round

The modern colour, fresh design and functional details of these awnings are completely convincing.

		Material	Page
Goya	... 5-piece, with plenty of ventilation possibilities Awning depth approx. 240 cm	A	18-19
Marbella S	... extra-deep touring tent Awning depth approx. 300 cm	A	20-21
Nomada	... Roundroof tent in new colour design Awning depth approx. 240 cm	A	22-23
Opal XL	... Roundroof tent with generous space Awning depth approx. 280 cm	A	26-27

Teil-Einzugszelte

Inka	... Part-tent for touring, with aluminium poles	A	44
Pamir	... the extra-stable winter tent	D	44

Comfort

These tents stand out for more living comfort and safety, numerous usage variants and comprehensive series equipment.

		Material	Page
Tarifa	... Roof and side walls of PVC Awning depth approx. 240 cm	C	24-25
Siena	... 5-piece, with fabric window covers Awning depth approx. 240 cm	A	28-29
Mirador L	... 7-piece, with many practical detail solutions Awning depth approx. 240 cm	A	30-31
Metropol L	... with PVC roof, comprehensive series equipment Awning depth approx. 240 cm	C	31
Riogrande Plus	... Season tent with enormous space Awning depth approx. 280 cm	A	32-33



The outstanding quality level of the fabrics we use is a result of the joint development with the leading awning fabric specialist
Ten Cate Technical Fabrics



The TenCate tent fabric of polyester / PVA was ÖKO-TEX-certified in the years 2005 and 2006.

Premium

This tent offers absolutely everything. High-quality finished materials, stability and expertise in detail are all standard in this class.

		Material	Page
Magellan	... up to 20m ² living area Awning depth approx. 300 cm	A	34-35
Castello	... Element tent with all-round PVC roof Awning depth approx. 240 cm	B	36-37
Apollo Plus	... Element tent with all-round TenCate roof Awning depth approx. 240 cm	A	36-37
Galaxy 350	... the 3.50m deep awning with element front wall Awning depth approx. 350 cm	A	38-39
Palazzo L	... more depth, front and side wall metallic coated Awning depth approx. 280 cm	A	40-41
Titania	... Part-tent, front and side wall metallic coated. Awning depth approx. 250 cm	A	42-43

Equipment details

● = standard

	Centimo	Safir TL	Platin 280	Arcade TL	Goya	Marbella S	Nomada	Tarifa	Opal XL	Sienna	Mirador L	Metropol L	Riogrande Plus	Magellan	Castello	Apollo Plus	Palazzo L	Galaxy 350	Titania	Inka	Pamir	Capri Luxus	
 Roof printed on interior	●	●	●	●	●	●	●	●	●	●	●	●	●	●	●	●	●	●	●	●	●	●	●
 Roof metallic coated		●	●	●	●	●	●	●	●	●	●	●	●	●	●	●	●	●	●	●	●	●	●
 Side wall metallic coated																●	●						
 Variable door position	●	●	●	●	●	●	●	●	●	●	●	●	●	●	●	●	●	●	●	●	●	●	●
 Arched door		●	●	●	●	●	●	●	●	●	●	●	●	●	●	●	●	●	●	●	●	●	●
 Roll-up door	●					●				●	●			●	●	●		●					
 3-piece window						●				●	●	●	●	●	●	●	●	●	●	●	●	●	●
 Panorama comfort window					●	●	●	●					●	●	●	●	●	●	●	●	●	●	●
 Closing top ventilation						●				●	●	●	●	●	●	●	●	●	●	●	●	●	●

	Centimo	Safir TL	Platin 280	Arcade TL	Goya	Marbella S	Nomada	Tarifa	Opal XL	Sienna	Mirador L	Metropol L	Riogrande Plus	Magellan	Castello	Apollo Plus	Palazzo L	Galaxy 350	Titania	Inka	Pamir	Capri Luxus	
 Heavy-duty zip-fasteners	●	●	●	●	●	●	●	●	●	●	●	●	●	●	●	●	●	●	●	●	●	●	●
 Covered front zip-fasteners (not flaps)											●	●	●	●	●	●	●	●	●	●			
 Hollow seam tabs on front wall		●	●		●	●	●	●	●	●	●	●	●	●	●	●	●	●	●	●			
 Hollow seam tabs on canopy	●	●	●	●	●	●	●	●	●	●	●	●	●	●	●	●	●	●	●	●	●	●	●
 Double curtain weatherstrip	●	●	●	●	●	●	●	●	●	●	●	●	●	●	●	●	●	●	●	●	●	●	●
 SHS weatherstrip	●	●	●	●	●	●	●	●	●	●	●	●	●	●	●	●	●	●	●	●	●	●	●
 Rain gutter weatherstrip	●	●	●		●	●	●	●	●	●	●	●	●	●		●		●					
 Multi-function strips	●	●	●	●	●	●	●	●	●	●	●	●	●	●	●	●	●	●	●	●	●	●	●
 3-way earth strip						●				●	●	●	●	●	●	●	●	●	●	●	●	●	●

3-way earth strip

Equipment details

● = standard



Storm tensioning tabs



Velcro fasteners



Coated and washable cover strip



Wind protection gusset



Steel poles



Aluminium poles



PowerGrip



Canopy reinforcement



Pole tensioner from Size 16

	Centimo	Safir TL	Platin 280	Arcade TL	Goya	Marbella S	Nomada	Tarifa	Opal XL	Sienna	Mirador L	Metropol L	Riogrande Plus	Magellan	Castello	Apollo Plus	Palazzo L	Galaxy 350	Titania	Inka	Pamir	Capri Luxus	
Storm tensioning tabs	●	●	●	●	●	●	●	●	●	●	●	●	●	●	●	●	●	●	●	●	●	●	●
Velcro fasteners		●	●	●	●	●	●	●	●	●	●	●	●	●	●	●	●	●	●				
Coated and washable cover strip	●	●	●	●	●	●	●	●	●	●	●	●	●	●	●	●	●	●	●	●	●	●	●
Wind protection gusset	●	●	●	●	●	●	●	●	●	●	●	●	●	●	●	●	●	●	●	●	●	●	●
Steel poles	●	●	●	●	●	●	●	●	●	●	●	●	●	●	●	●	●	●	●	●	●	●	●
Aluminium poles		●	●																	●		●	
PowerGrip		●	●	●	●	●	●	●	●	●	●	●	●	●	●	●	●	●	●				●
Canopy reinforcement			●	●	●	●	●	●	●	●	●	●	●	●	●	●	●	●	●				
Pole tensioner from Size 16					●		●		●	●	●	●	●	●	●	●	●	●	●				

Innovative

PowerGRIP

- convenient PowerGrip poles



PowerGrip:

In this new tensioning system, the conventional locking screws have been replaced by a clamp mechanism.

The benefits to you:

- convenient, easy extension and tensioning of the poles
- no damage to the pole surface
- no deformation of the poles
- clamp mechanism without galvanised steel components
- attractive appearance



For retro-fitting...

of steel or aluminium poles, we offer as an optional extra a retro-fit set, consisting of 15 pcs. PowerGrip (see Page 51). This retro-fit set is available for the following sizes:

- 25 mm steel poles
- 28 mm steel or aluminium poles
- 32 mm steel or aluminium poles

Innovative - the storm safety package

MISTRAL

Conventional storm straps lying over the tent can damage the roof fabric by abrasion. Sewn-in storm straps can place unnecessary stress on the seam and fabric areas.

Mistral - our optimised alternative

- No abrasion of the roof material
- no stretching of stressed fabric areas
- no tearing of over-stressed seam areas

We provide security where the strongest wind load occurs: Optimum compensation of gusty tear and tension stresses by attachment at the pole pin of the corner brackets, and tensioning by means of strong tent pegs spiral steel springs.

The storm straps are attached to the pole pins by means of specially developed plastic adapters.



Special PVC pin caps and spiral springs for protection and stability.



The storm safety package includes:
2 tensioning straps, 2 PVC pin caps,
2 steel springs, 2 tent pegs

Rasant

... set up in just a few steps, the ultimate quick-assembly awning for touring caravaners.



Ground skirt and wheel cover not supplied as standard.

With this simple and ingenious awning design, you can have your holiday residence set up in no time. Insert the awning, tension the corners in the right sequence, insert the poles, apply the final tension – FINISHED. The generous layout provides space for comfortable seating without blocking the remaining living area. An entrance door at each side, both side walls can be folded down to form a veranda or can be removed. A 28 mm diameter aluminium pole with PowerGrip clamp makes assembly easier and reduces the transport weight.



Balcony in the right side wall, entrance in the left side wall.



Right sidewall removed, entrance in the left side wall.



...wall sections removed for use as a sun-roof!

The benefits to you:

- **Roof-material:** completely synthetic, coated on outside. Reduced condensation formation!
- **Side wall material:** completely synthetic, coated on outside, washable. No evaporation or creation of odours.
- **Poles:** aluminium poles, 28 x 1 mm
- **Accessories available at extra price:** Wheel cover, ground skirt
- **Weight:** approx. 13 kg

... Colour alternative in a modern design, a visual highlight as a quick-assembly tent.

Rapid



Ground skirt and wheel cover not supplied as standard.

Technically identical to the RASANT model, the RAPID quick-assembly tent sets new visual highlights. Minimum effort produces a comfortable touring tent with different usage variants. The standard PowerGrip system of the tent poles offers convenient fixing in only one manual operation.



Power-Grip

The benefits to you:

- **Roof-material:** completely synthetic, coated on outside. Reduced condensation formation!
- **Side wall material:** completely synthetic, coated on outside, washable. No evaporation or creation of odours.
- **Poles:** aluminium poles, 28 x 1 mm
- **Accessories available at extra price:** Wheel cover, ground skirt

Assembly sequence



Insert the tent



Anchor the rear corners



Anchor the front corners



Insert the roof pole



Set up the tent



Tension



Almost vertical front wall, with standing heights of up to 190 cm for optimum space usage. Size 21 illustrated
Roof coated on outside, inner side with decorative print

The benefits to you:

- **Roof without seam**, material completely synthetic, coated on outside. Inner side with decorative print! Reduced condensation formation!
- **Side wall material:** completely synthetic, coated on outside, washable. No evaporation or creation of odours.
- **Poles:** steel poles, 25 x 1 mm
- **Awning depth:** approx. 240 cm at ground level

Sizes available	05	06	07	08	09	10	11	12	21	13	31	14	41	15
Circumference dimension in cm	748-773	774-798	799-823	824-849	850-876	877-897	898-917	918-938	939-958	959-977	978-1001	1002-1025	1026-1051	1052-1075
Approx. weight in kg (without tare)	31,4	31,9	32,4	32,9	33,4	41,9	42,9	43,4	43,9	44,4	44,9	45,4	45,9	46,4
Number of awning pieces	5	5	5	5	5	5	5	5	5	5	5	5	5	5

... 5-piece awning

4 wall elements and 1 roof element make assembly easy, and are convenient to store. Large windows, a clear design and lot of standard equipment are characteristic for this awning.

The benefits to you

The ideal awning for short trips and holidays. Variable door position in the front wall thanks to the exchangeable front wall halves. Main details as for the large models, where nothing has been spared, such as robust YKK zip-fasteners and also fabric covers for the side wall zip-fasteners.



...the individual elements make for great convenience. Usage variants as required: here as a partial sunroof with one corner protected against the wind.



...entrance positioned at the right with the aid of the exchangeable front wall halves.



...wall sections removed for use as a sunroof!

Brand quality feature



Zip fasteners made to size to fit the relevant tent.



Safir TL

... a luxurious touring –awning, made by 'Travel Light' tissue and with a standard aluminium-Powergrip frame



Almost vertical front wall, with standing heights of up to 190 cm for optimum space usage. Size 21 illustrated

Roof metallic coated on outside, inner side with decorative print

The benefits to you:

- **Roof without seam**, material completely synthetic, metallic coated on outside, inner side with decorative print. Reduced condensation formation!
- **Side wall material:** completely synthetic, coated on outside, washable. No evaporation or creation of odours.
- **Poles:** aluminium poles, 28 x 1 mm with PowerGrip
- **Awning depth:** approx. 240 cm at ground level

Sizes available	08	09	10	11	12	21	13	31	14	41	15
Circumference dimension in cm	824-849	850-876	877-897	898-917	918-938	939-958	959-977	978-1001	1002-1025	1026-1051	1052-1075
Approx. weight in kg (without tare)	27,5	28,0	33,0	33,5	34,5	35,0	35,5	36,5	37,0	37,5	38,5
Number of awning pieces	5	5	5	5	5	5	5	5	5	5	5

... 5 piece awning

Every kilogram saved helps to avoid exceeding the maximum loading weight. Travel-Light fabric from TenCate, specially designed for touring camping, is lightweight, but nevertheless robust and durable. The 28 mm light aluminium pole with the PowerGrip system supplied as standard reduces the weight even further.

The benefits to you

A classic touring awning in 5 sections. 2-piece front wall and removable side walls. The 5 separate elements facilitate transport during the trip. Variable door position in the front wall thanks to the exchangeable front wall halves. Versatile use either as an all-weather awning, plain sunroof, sunroof with wind protection at one or both sides or as a partial sunroof. Awning depth approx. 240 cm at ground level.



...entrance positioned at the right with the aid of the exchangeable front wall halves.



...as a partial sunroof with one corner protected from the wind.

Brand quality feature



All side wall zip fasteners are protected against wind, rain and weather effects by integral covers of high-quality tent side wall material. The edges of the fabric are enclosed in a PVC strip.



...remove the 4 wall sections, and the awning is turned into a stable sunroof!

Platin 280

... the 280 cm deep touring tent with outstanding value for money

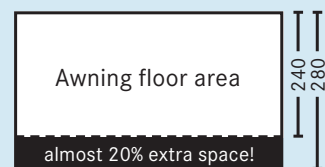


Almost vertical front wall, with standing heights of up to 190 cm for optimum space usage. Size 21 illustrated

Roof coated on outside, inner side with decorative print

The benefits to you:

- **Roof material:** completely synthetic, coated on outside, inner side with decorative print. Reduced condensation formation!
- **Side wall material:** completely synthetic, coated on outside, washable. No evaporation or creation of odours.
- **Poles:** steel poles, 25 x 1 mm
- **Awning depth:** approx. 280 cm at ground level



Sizes available	08	09	10	11	12	21	13	31	14
Circumference dimension in cm	824-849	850-876	877-897	898-917	918-938	939-958	959-977	978-1001	1002-1025
Approx. weight in kg (without tare)	38,5	39,0	47,5	48,0	48,5	49,0	49,5	50,0	50,5
Number of awning pieces	5	5	5	5	5	5	5	5	5

... 5-piece awning

for the camper who needs a light awning with more living area. The depth of approx. 280 cm means almost 20% more room in comparison to the standard depth. The light but durable fabrics are designed especially for touring use. Versatile in use as an all-weather awning, partial sunroof with wind protection on one or both sides or simply as a sunroof.

The benefits to you

The technical equipment offers absolutely everything necessary for a touring tent: large ventilation gauze in the side walls, the tent entrance with arched door enables a hatch effect. The front walls can be folded down to form a balcony, with variable tensioning possibilities thanks to the multi-function straps. The interchangeable front wall halves allow a further entrance variant if required.



...entrance placed at front right by means of the variable front wall.



...remove the 4 wall sections, and the awning is turned into a stable sunroof!



...as a partial sunroof with one corner protected from the wind.



...both front wall halves folded back to balcony trim (2 balcony poles required from our accessories range). The annex Rasta 280 provides additional storage or sleeping room.

Arcade TL

... a genuine "eye-catcher" – unusual, harmonious lines in an exclusive design.



The arched shape allows standing heights of approx. 180 cm almost everywhere. Size 21 illustrated

Roof metallic coated on outside, inner side with decorative print.

The benefits to you:

- **Roof without seam**, material completely synthetic, metallic coated on outside. Inner side with decorative print. Reduced condensation formation!
- **Side wall material:** completely synthetic, coated on outside, washable. No evaporation or creation of odours.
- **Poles:** aluminium poles, 28 x 1 mm with PowerGrip
- **Awning depth:** approx. 240 cm at ground level

Sizes available	09	10	11	12	21	13	31	14	41
Circumference dimension in cm	850-876	877-897	898-917	918-938	939-958	959-977	978-1001	1002-1025	1026-1051
Approx. weight in kg (without tare)	37,8	38,3	38,7	39,0	39,3	39,7	40,0	40,5	41,0
Number of awning pieces	5	5	5	5	5	5	5	5	5

... 5 piece awning

Anyone looking for individual solutions is sure to be captivated by the design and look of this model touring residence. A new, innovative arched aluminium pole, combined with light yet robust materials, complemented by specific detail solutions form a symbiosis of a light, comfortable touring tent and a luxury sunroof.

The benefits to you

A homely atmosphere thanks to curtains in the front and side walls. 5 individual tent elements facilitate assembly and dismantling, and also offer flexible usage possibilities. The two large mosquito windows in the front wall ensure adequate ventilation. The series equipment of the aluminium framework includes the proven PowerGrip system.



... right side wall and right front wall element removed. Use as partial sunroof. Entrance door with hatch effect.



...as a partial sunroof, protected from the wind.



... the special arched framework conveys a pleasant, roomy feeling.



... 2 large mosquito windows in the front wall ensure adequate ventilation. The film cover attached by zip fasteners keeps out unwanted draughts.



... Rondo awning sunroof to fit all Brand roundroof tents. An ideal accessory for that extra holiday comfort (available as an option).



Almost vertical front wall, with standing heights of up to 190 cm for optimum space usage. Size 21 illustrated.

Roof metallic coated on outside, inner side with decorative print

The benefits to you:

- **Roof material:** completely synthetic, metallic coated on outside, inner side with decorative print. Reduced condensation formation!
- **Side wall material:** completely synthetic, coated on outside, washable. No evaporation or creation of odours.
- **Poles:** steel poles, 25 x 1 mm
- **Awning depth:** approx. 240 cm at ground level

Sizes available	08	09	10	11	12	21	13	31	14	41	15	16	17	18	19
Circumference dimension in cm	824-849	850-876	877-897	898-917	918-938	939-958	959-977	978-1001	1002-1025	1026-1051	1052-1075	1076-1095	1096-1115	1116-1135	1136-1155
Approx. weight in kg (without tare)	35,6	36,4	44,5	44,9	45,7	46,4	46,8	47,1	48,0	48,6	49,1	52,3	52,7	53,0	53,4
Number of awning pieces	5	5	5	5	5	5	5	5	5	5	5	5	5	5	5

... 5 piece awning

Three large separate ventilation windows, two in the side walls and one in the front wall, ensure a pleasant room climate. Both panorama comfort windows of the side walls are fitted with curtains for that homely atmosphere.

The benefits to you

The five tent sections enable easy assembly and dismantling, are easy to store and offer a number of usage variants (see illustrations). Four possible entrance / exit variants in the front and side walls.



... Front wall sections interchanged. Possible entrance variant on right side.



...remove the 4 wall sections, and the awning is turned into a stable sunroof!



...an annex provides additional storage or sleeping room



...both front wall halves folded back to balcony trim (2 balcony poles required from our accessories range).

Marbella S

The new 300-cm deep awning.
Homely atmosphere,
all windows with curtains.

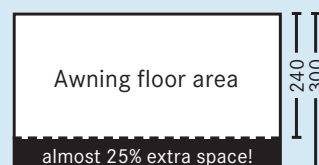


Almost vertical front wall, with standing heights of up to 190 cm for optimum space usage. Size 21 illustrated

Roof coated on outside, inner side with decorative print.

The benefits to you:

- **Roof material:** completely synthetic, coated on outside, inner side with decorative print. Reduced condensation formation!
- **Side wall material:** completely synthetic, coated on outside, washable. No evaporation or creation of odours.
- **Poles:** steel poles 28 x 1 mm with PowerGrip-System and canopy reinforcement
- **Awning depth:** approx. 300 cm at ground level



Sizes available	07	08	09	10	11	12	21	13	31	14
Circumference dimension in cm	799-823	824-849	850-876	877-897	898-917	918-938	939-958	959-977	978-1001	1002-1025
Approx. weight in kg (without tare)	40,5	41,1	41,7	56,5	56,9	57,6	58,3	58,7	59,2	60,0
Number of awning pieces	5	5	5	5	5	5	5	5	5	5

... 5-piece awning

A new dimension: awning depth approx. 300 cm at ground level. Family awning with plenty of space in a modern awning look!

The benefits to you

5 individual pieces, 2 removable side and front wall elements and 1 roof element for easy transport; convenient assembly in separate stages. Equipment includes closing top ventilation and 4 different entrance/exit variants. The 28 mm poles ensure the necessary stability (PowerGrip tensioner as standard equipment).



...entrance variants in the right or left side wall. Half front wall folded back as balcony (balcony poles: see accessories).



...use one section of the awning to protect one corner against the wind.



...we also offer a separate annex for fitting on the right of this awning.

Brand quality feature



Equipped with wind protection flaps of high-quality PVC material coated both sides. Fabric edges enclosed in a strip. No edge seam which might tend to fray.

Nomada

...in elegant look and new arched form with side panorama comfort windows.



The arched shape allows standing heights of approx. 180 cm almost everywhere. Size 21 illustrated

Roof metallic coated on outside, inner side with decorative print

The benefits to you:

- **Roof without seam**, material completely synthetic, metallic coated on outside. Inner side with decorative print! Reduced condensation formation!
- **Side wall material:** completely synthetic, coated on outside, washable. No evaporation or creation of odours.
- **Poles:** steel poles, 28 x 1 mm with PowerGrip-System and canopy reinforcement
- **Awning depth:** approx. 240 cm at ground level

Sizes available	09	10	11	12	21	13	31	14	41
Circumference dimension in cm	850-876	877-897	898-917	918-938	939-958	959-977	978-1001	1002-1025	1026-1051
Approx. weight in kg (without tare)	53,3	53,6	53,9	54,7	55,2	55,6	56,2	56,8	57,3
Number of awning pieces	5	5	5	5	5	5	5	5	5

... 5-piece awning

The convenient arched door with hatch effect for additional ventilation. The large panorama windows in the side walls allow an unrestricted view. Separate gauze ventilation windows with film covers in the front wall and the side walls ensure adequate ventilation.

The benefits to you

Curtains in the front and side walls convey a cosy atmosphere. Five individual tent sections facilitate assembly and dismantling, and are convenient to transport. The 3-way earth strips (external and internal earth strips and multi-function earth strip) provide the necessary stability and reliable ground attachment. Innovative 28 mm diameter steel tube arched framework with the proven PowerGrip system as standard!



... both front elements folded down to form a balcony (balcony poles optional). Entrances possible in both side walls, here in the right side wall.



.. right front wall half and right side removed, use as a stable partial sunroof.



... panorama comfort side wall: separate gauze ventilation window incl. cover, large panorama windows with decorative curtains.



... Rondo awning sunroof to fit all Brand roundroof tents. An ideal accessory for that extra holiday comfort (available as an option).



... for the short holiday, the roof element can be used on its own as a simple but stable sunroof. The five individual tent elements facilitate assembly and are easy to store.

Tarifa

Roof and side walls made from PVC-coated material, all windows with flaps.



Almost vertical front wall, with standing heights of up to 190 cm for optimum space usage. Size 21 illustrated

Roof PVC coated from both sides

The benefits to you:

- **Roof without seam**, completely synthetic, PVC-coated.
- **Side wall material:** completely synthetic, PVC-coated. **Front wall** coated from the outside (TenCate)
- **Poles:** steel poles, 25 x 1 mm
- **Awning depth:** approx. 240 cm at ground level

Sizes available	10	11	12	21	13	31	14	41	15	16
Circumference dimension in cm	877-897	898-917	918-938	939-958	959-977	978-1001	1002-1025	1026-1051	1052-1075	1076-1095
Approx. weight in kg (without tare)	52,5	53	53,5	54,5	55,1	55,3	57,3	58,3	59,1	63,3
Number of awning pieces	5	5	5	5	5	5	5	5	5	9

... 5-piece awning

Robust PVC material in the roof and side walls, front wall of active-breathing TenCate fabric. Interesting alternative for seasonal and stationary camping. The two front wall elements are interchangeable, with variable door position either to the left of centre or at the extreme right. The door can be rolled up.

The benefits to you

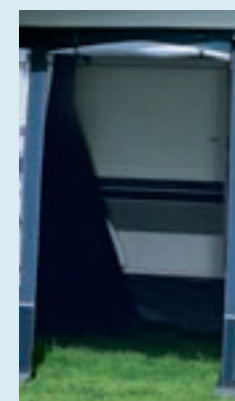
The 5 individual sections (roof and 2 removable front wall and side sections) enable assembly and dismantling in stages. All windows with additional covers and side zip fastener attachments. The ventilation gauze of the side wall windows is equipped with additional rain protection film. All sizes with symmetrical front wall windows, size 16 is supplied as 9-piece with 6 front wall elements.



...optional positioning of the front entrance thanks to exchangeable front wall halves.



...stage by stage assembly and dismantling thanks to the handy awning elements. Can also be used as a complete or partial sunroof.



... front wall element with roll-up door!



...with all window flaps closed. The side fabric covers are attached by zip-fasteners.

Opal XL

... 280 cm deep large-area tent for touring and seasonal camping in elegant, exclusive arched design.

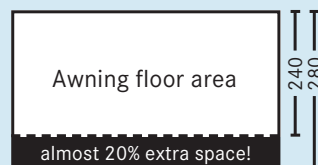


The arched shape allows standing heights of approx. 180 cm almost everywhere. Size 21 illustrated

Roof metallic coated on outside, inner side with decorative print

The benefits to you:

- **Roof material** completely synthetic, metallic coated on outside. Inner side with decorative print! Reduced condensation formation!
- **Side wall material:** completely synthetic, coated on outside, washable. No evaporation or creation of odours.
- **Poles:** steel poles 28 x 1 mm with PowerGrip-System and canopy reinforcement
- **Awning depth:** approx. 280 cm at ground level



Sizes available	09	10	11	12	21	13	31	14	41
Circumference dimension in cm	850-876	877-897	898-917	918-938	939-958	959-977	978-1001	1002-1025	1026-1051
Approx. weight in kg (without tare)	54,5	55,6	56,1	56,6	57,6	58,1	58,6	59,6	60,1
Number of awning pieces	5	5	5	5	5	5	5	5	5

... 5-piece awning

As the result of an innovative tent design, this offers plenty of space for touring and seasonal camping, in addition to the unusual design. Two ventilation windows in the front wall and one in each of the side walls ensure a pleasant room climate.

The benefits to you

Tent entrance with arched door (possible hatch effect). Additional entrance possibilities in the sides by means of specials zip fasteners. All 4 ventilation windows in the front and side walls are equipped with permanent weather protection covers. Large side wall panorama windows for an unrestricted view. The standard equipment of the 28 mm diameter steel tube framework includes the 28 mm PowerGrip system)



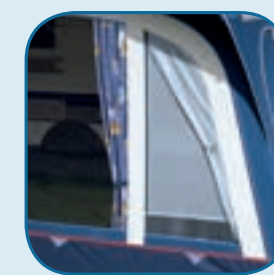
... the arched door offers an additional ventilation possibility (stable door effect). Can also be used as a partial sunroof.



...remove the 4 wall sections, and the awning is turned into a stable sunroof!



... both side windows with panorama window and ventilation window.



... 2 large mosquito windows in the front wall ensure adequate ventilation. The film cover attached by zip fasteners keeps out unwanted draughts.



...entrances/exits in the side walls, balcony in the front wall (balcony poles: see accessories).

Siena

With large panorama windows and separate ventilation windows. Elegant and modern look.



Almost vertical front wall, with standing heights of up to 190 cm for optimum space usage. Size 21 illustrated

Roof metallic coated on outside, inner side with decorative print.

The benefits to you:

- **Roof without seam**, material completely synthetic, metallic coated on outside. Inner side with decorative print! Reduced condensation formation!
- **Side wall material:** completely synthetic, coated on outside, washable. No evaporation or creation of odours.
- **Poles:** steel poles, 25 x 1 mm
- **Awning depth:** approx. 240 cm at ground level

Sizes available	07	08	09	10	11	12	21	13	31	14	41	15	16
Circumference dimension in cm	799-823	824-849	850-876	877-897	898-917	918-938	939-958	959-977	978-1001	1002-1025	1026-1051	1052-1075	1076-1095
Approx. weight in kg (without tare)	38,1	38,4	39,3	47,8	48,2	49,1	50,1	50,5	51,1	52,0	52,6	53,2	57,3
Number of awning pieces	5	5	5	5	5	5	5	5	5	5	5	5	9

... 5-piece awning

Panorama comfort window: Side walls with separate ventilation windows and film covers attached by zip fasteners provide the necessary ventilation. The additional panorama windows are fitted with decorative curtains.

The benefits to you

Easy operation of the front entrance thanks to the additional door zip-fastener. The outer frame zip-fasteners of the front wall are fitted with fabric covers, as are the zip-fasteners of both side walls. All sizes come with symmetrical windows in the front wall. Size 16 is supplied in 9 pieces, with 6 front wall elements.



...entrance placed at front right by means of the variable front wall.



...remove the 4 wall sections, and the awning is turned into a stable sunroof!



...entrances/exits in the side walls, balcony in the front wall (balcony poles: see accessories).



...additional fabric window covers, all equipped with side zip-fasteners.

Mirador L

an affordable and comfortable awning for seasonal and all-year camping!

Metropol L

Roof and sidewalls with PVC coated on both sides!

The »Metropol L« model is available in a special version, as an identical model to the »Mirador Top«, but equipped with a high-quality PVC roof and sidewalls coated on both sides. The Metropol is available in Sizes 10 to 15 (see also sizes for the »Mirador Top« on Page 30). All other technical details, except for the weight, correspond to the data for the »Mirador L«.

... 7-piece awning

Element awning with window flaps and a lot of standard equipment. All front wall elements are exchangeable. Variable seating corner and front entrance.

The benefits to you

Versatile use; 7 – 9 handy awning pieces (roof, 2 side pieces, 4 – 6 front wall pieces) enable easy assembly and dismantling. The heavy-duty zip-fasteners on the front and side walls are fitted with weather-protection covers. Closing top ventilation in the gable. Fast adjustment to all weather conditions by 3-piece side windows.



Almost vertical front wall, with standing heights of up to 190 cm for optimum space usage. Size 21 illustrated

Roof metallic coated on outside, inner side with decorative print

The benefits to you:

- **Roof without seam**, material completely synthetic, metallic coated on outside. Inner side with decorative print! Reduced condensation formation!
- **Side wall material:** completely synthetic, coated on outside, washable. No evaporation or creation of odours.
- **Poles:** steel poles, 28 x 1 mm with PowerGrip system and canopy reinforcement
- **Awning depth:** approx. 240 cm at ground level

Sizes available	09	10	11	12	21	13	31	14	41	15	16	17	18	19	GX
Circumference dimension in cm	850-876	877-897	898-917	918-938	939-958	959-977	978-1001	1002-1025	1026-1051	1052-1075	1076-1095	1096-1115	1116-1135	1136-1155	1156-
Approx. weight in kg (without tare)	43,5	56,0	56,5	57,0	58,0	58,5	59,0	60,0	60,5	61,0	65,0	66,5	67,0	67,5	
Number of awning pieces	7	7	7	7	7	7	7	7	7	7	9	9	9	9	9-11



...front entrance to the right. Additional space is provided by the side annex (option).



...2 elements folded back to balcony trim (balcony poles: see accessories). Entrances and exits also in both side walls.



...weather-protection of the horizontal and vertical heavy-duty zip-fasteners.



...3-piece side windows. Perfectly equipped for warm, windy or rainy days.



...with all window flaps closed. The side fabric covers are attached by zip-fasteners.

Riogrande Plus

... the elegant 280 cm large awning for seasonal and all-year camping!

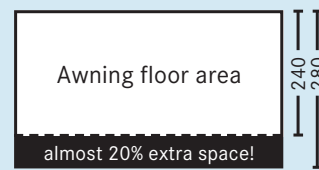


Almost vertical front wall, with standing heights of up to 190 cm for optimum space usage. Size 21 illustrated

Roof metallic coated on outside. Inner side with decorative print

The benefits to you:

- **Roof material:** completely synthetic, metallic coated on outside. Inner side with decorative print! Reduced condensation formation!
- **Side wall material:** completely synthetic, coated on outside, washable. No evaporation or creation of odours.
- **Poles:** steel poles 28 x 1 mm with PowerGrip-System and canopy reinforcement
- **Awning depth:** approx. 280 cm at ground level



Sizes available	07	08	09	10	11	12	21	13	31	14	41	15	16
Circumference dimension in cm	799-823	824-849	850-876	877-897	898-917	918-938	939-958	959-977	978-1001	1002-1025	1026-1051	1052-1075	1076-1095
Approx. weight in kg (without tare)	41,0	41,5	42,5	57,0	57,5	58,0	59,5	60,0	60,5	61,0	61,5	62,0	68,5
Number of awning pieces	5	5	5	5	5	5	5	5	5	5	5	5	9

... 5-piece awning

...this awning offers plenty of space for the family or a party in this large-area bungalow with a depth of approx 280 cm (almost 20% extra space). With window flaps and exchangeable front wall halves. Closing top ventilation in the gable.

The benefits to you

Exchangeable front wall halves; choose between 4 entrance/exit variants. With its additional door zip-fastener, the front entrance is easy to use without inconvenient hooking/unhooking. 3-piece side windows for pleasant air circulation! The heavy-duty zip-fasteners on the front and side walls are fitted with weather-protection covers. Size 16 comes in 9 pieces: roof, 2 side sections and 6 symmetrical front wall sections.



...optional positioning of the front entrance thanks to exchangeable front wall halves.



...the 5 handy awning sections make assembly and dismantling easy, and offer a host of usage variants.



3-piece side windows for pleasant air circulation.



...both front wall halves folded back to balcony trim (2 balcony poles required from our accessories range).



...the annex Rasta 280 provides additional storage or sleeping room (sleeping compartment: see accessory range).

Magellan

Comfortable spacious tent for seasonal and stationary camping with a floor depth of approx. 300 cm.



Almost vertical front wall, with standing heights of up to 190 cm for optimum space usage. Size 21 illustrated

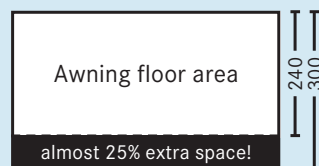
Roof metallic coated on outside, inner side with decorative print.

The benefits to you:

■ **Roof material:** completely synthetic, metallic coated on outside. Inner side with decorative print! Reduced condensation formation!

■ **Side wall material:** completely synthetic, coated on outside, washable. No evaporation or creation of odours.

■ **Poles:** steel poles 28 x 1 mm with PowerGrip-System and canopy reinforcement
 ■ **Awning depth:** approx. 300 cm at ground level



Sizes available	10	11	12	21	13	31	14	41	15	16
Circumference dimension in cm	877-897	898-917	918-938	939-958	959-977	978-1001	1002-1025	1026-1051	1052-1075	1076-1095
Approx. weight in kg (without tare)	62,2	62,8	63,3	64,8	65,6	66,0	66,8	67,6	68,2	70,9
Number of awning pieces	5	5	5	5	5	5	5	5	5	9

... 5-piece tent

... a genuine family tent offering generous space. All windows (except ventilation windows) are fitted with fabric covers, the interchangeable front wall halves allow variable positioning of the entrance. The entrance can also be positioned at the front of the side wall. The 2-piece side wall also offers the possibility of positioning the door element in the right or left side.

The benefits to you

Optimum cross-ventilation thanks to large gauze windows in the side walls, which are fitted with film covers attached by zip fasteners. Second arched door and a panorama window in the left side wall. Right side wall with 2 large panorama windows. Closing top ventilation in the front wall. Excellent protection thanks to the fabric covers of the side wall and outer frame zip fasteners. All sizes with symmetrical windows in the front wall. Size 16 is supplied as 9-piece with 6 front wall elements. Velcro fasteners in the side walls for attachment of optional storm supports.



... variable door position in the front wall. Entrance here at the right. Front wall folding down partially or completely to form a balcony (balcony poles available as accessories).



... right front wall element and right side wall removed for use as a partial sunroof with wind protection.



... all film windows with fabric covers, both gauze windows of the side wall with embossed film cover. Additional arched door in the left or right side wall.



... the three-metre floor depth offers plenty of space for open areas, exclusive living comfort thanks to large window areas all round

Castello

High-quality "Chalet" awning in element design with all-round PVC roof coated both sides. Sound style for all-year-round use.



Almost vertical front wall, with standing heights of up to 190 cm for optimum space usage. Size 21 illustrated

Roof with PVC coating on both sides

The benefits to you:

- **Roof without seam**, with PVC coating
- **Side wall material:** completely synthetic, coated on outside, washable. No evaporation or creation of odours.
- **Poles:** steel poles, 28 x 1 mm with PowerGrip-System and canopy reinforcement
- **Awning depth:** approx. 240 cm at ground level

Sizes available	10	11	12	21	13	31	14	41	15	16	17	18	19	GX
Circumference dimension in cm	877-897	898-917	918-938	939-958	959-977	978-1001	1002-1025	1026-1051	1052-1075	1076-1095	1096-1115	1116-1135	1136-1155	1156-
Approx. weight in kg (without tare)	66,4	67,4	68,4	68,9	69,6	70,5	71,4	72,3	72,9	77,7	79,2	79,9	80,6	
Number of awning pieces	7	7	7	7	7	7	7	7	7	7	9	9	9	9-11

Apollo Plus

Material completely synthetic, TenCate coating on outside

The ›Apollo Plus‹ model is available in a special version, as an identical model to the ›Castello‹, but equipped with a high-quality TenCate roof, which is coated from the outside. It is available in Sizes 10 to GX (see also sizes for the ›Castello‹ on Page 36). All other technical details, except for the weight, correspond to the data for the ›Castello‹.

... 7/11-piece awning

The classical awning with surrounding roof overhang for seasonal and stationary camping. Heavy-duty zip fasteners with additional weather-protection covers. Front wall with variable climate-control window (full gauze, with film and fabric cover), both side walls with panorama comfort windows: optimum ventilation possibilities.

The benefits to you

Select the front entrance position to suit your requirements. The individual, exchangeable front wall elements (sizes 09-15 = 4, sizes 16-GX = 6 to 8), enable the easy assembly and dismantling of this 7-11-piece awning model stage by stage. A homely atmosphere thanks to curtains in the side walls. Closing top ventilation.



... available as a separate accessory; **front wall element arched door with "stable door effect"**

... not everyone has to see everything. Fabric covers of all windows. Entrance element at outside right. Additional storage space with side lean-to (optional).



Panorama comfort windows in both side walls



3-piece side window for easy climate adjustment!



...2 elements folded back to balcony trim (balcony poles: see accessories). Every individual element can be folded back or removed.

Galaxy 350

... The comfortable luxury large-area tent with a usable depth of 350 cm..



Almost vertical front wall, with standing heights of up to 190 cm for optimum space usage. Size 21 illustrated

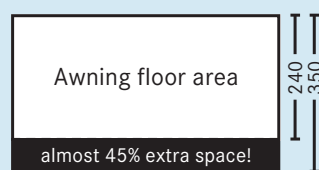
Roof metallic coated on outside, inner side with decorative print.

The benefits to you:

■ **Roof material:** completely synthetic, metallic coated on outside. Inner side with decorative print! Reduced condensation formation!

■ **Side wall material:** completely synthetic, coated on outside, washable. No evaporation or creation of odours.

■ **Poles:** steel poles 28 x 1 mm with PowerGrip-System and canopy reinforcement
 ■ **Awning depth:** approx. 350 cm at ground level



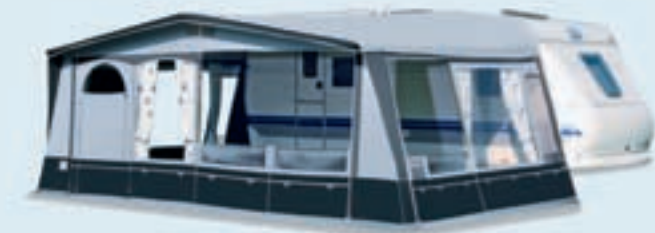
Sizes available	10	11	12	21	13	31	14
Circumference dimension in cm	877-897	898-917	918-938	939-958	959-977	978-1001	1002-1025
Approx. weight in kg (without tare)	71,2	72,0	72,8	73,5	74,3	75,1	76,0
Number of awning pieces	9	9	9	9	9	9	9

... 9-piece tent

This awning is impressive for its unrestricted usage depth of 3.50 metres. Thanks to the special framework design it has been possible to dispense with additional supports within the living area. The four front wall elements are interchangeable. This model also has an arched door, which can be positioned optionally in the right or left side wall.

The benefits to you

The three window elements of the side walls allow a generous panoramic view. Each side wall is provided with two large ventilation openings, which can be sealed against the weather with a matt film and side zip fasteners. All heavy-duty zip fasteners are covered, and the top ventilation in the gable can be closed. Curtains for all windows convey a homely atmosphere.



... Door position at extreme left, 2 elements of the front wall and 1 element of the side wall folded down to form a balcony (balcony poles available as accessories).



... the design in sections also allows use as a partial sunroof protected from the wind.



.. the depth of 3.50 m ensures a comfortable stay.



... generous panorama windows and effective ventilation openings in the side walls.



... the door in the front wall positioned to the right of centre. The side wall door can be placed in the right or the left side.

Palazzo L

The proven 280 cm large awning for seasonal and all-year camping.



Almost vertical front wall, with standing heights of up to 190 cm for optimum space usage. Size 21 illustrated

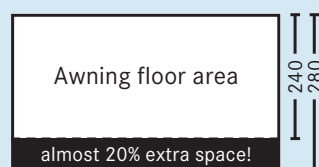
Roof and sides metallic coated on outside.

The benefits to you:

■ **Roof material:** completely synthetic, metallic coated on outside. Inner side with decorative print! Reduced condensation formation!

■ **Side wall material:** completely synthetic, coated on outside, washable. No evaporation or creation of odours.

■ **Poles:** steel poles 28 x 1 mm with PowerGrip-System and canopy reinforcement
 ■ **Awning depth:** approx. 280 cm at ground level



Sizes available	09	10	11	12	21	13	31	14	41	15	16	17	18	19	GX
Circumference dimension in cm	850-876	877-897	898-917	918-938	939-958	959-977	978-1001	1002-1025	1026-1051	1052-1075	1076-1095	1096-1115	1116-1135	1136-1155	1156-
Approx. weight in kg (without tare)	45,0	59,0	59,5	60,0	60,5	61,0	62,5	63,0	63,5	64,5	69,5	70,0	71,0	71,5	
Number of awning pieces	7	7	7	7	7	7	7	7	7	7	9	9	9	9	9-11

... 7/11-piece awning

Robust and durable, with dimensions for all-year-round use under all climatic conditions. The many 'extras' offer additional safety under long-term stresses.

The benefits to you

Element awning with variable design possibilities. The entrance element can be positioned anywhere to suit your requirements. Sizes 09-15 have 4 front wall elements, sizes 16-GX 6 to 8 front wall elements, making stage by stage assembly and dismantling of this 7-11-piece awning model possible without any special effort.



...variable entrance positioning thanks to the element system, such as here, with the entrance positioned to right of centre.



...the element system offers a host of advantages, ranging from easy assembly and dismantling to use of the awning as a sunroof.



...both rear side windows in thermo 3-piece design (here without curtains).



...available as a separate accessory; front wall element arched door with "stable door effect"



...3 entrance/exit possibilities, one at either side and one in the front wall.

Titania

Multi-functional and independent, camping without any compromises!



Almost vertical front wall, with standing heights of up to 190 cm for optimum space usage. Size 10 illustrated

Roof and sides metallic coated on outside

The benefits to you:

- **Roof material:** completely synthetic, metallic coated on outside. Inner side with decorative print! Reduced condensation formation!
- **Side wall material:** completely synthetic, coated on outside, wash-able. No evaporation or creation of odours.
- **Poles:** steel poles 28 x 1 mm with canopy reinforcement.
- **Poles:** Size 04 - 08 = 5 legs, 4 roof poles
Size 09 - 14 = 6 legs, 5 roof poles
- **Awning depth:** Size 41 - 15 = 7 legs, 6 roof poles (each incl. 1 pressure pole).
approx. 250 cm at ground level



Titania ordering sizes: 04 = 355 cm Left inset Titania ordering sizes: 06 = 380cm Left inset Titania ordering sizes: 08 = 405 cm Left inset
Titania ordering sizes: 09 = 430 cm Right inset Titania ordering sizes: 10 = 430 cm Left inset Titania ordering sizes: 11 = 455 cm Right inset
Titania ordering sizes: 12 = 455 cm Left inset Titania ordering sizes: 13 = 480 cm Right inset Titania ordering sizes: 14 = 480 cm Left inset
Titania ordering sizes: 15 = 530 cm Right inset Titania ordering sizes: 41 = 530 cm Left inset

... 7/9-piece awning

Partially inset awning in pent roof design to meet the highest demands at all times of the year. Equipped with practical details for both seasonal and all-year camping.

The benefits to you

Seven sizes for right or left strip fitting offer the perfect fit of a tailor-made awning! Sensible detail solutions: weather-protection covers for all heavy-duty zip-fasteners, closing top ventilation, two 3-piece windows, window flaps all round. Special feature: Exchangeable roll-up door element for use at all positions of the side and front walls (6 - 8 entrance variants).
Separate special accessories: Sunroof (shown below) with poles (depth 280 cm, width 160 cm). Arched door element (exchanged elements cannot be returned).



...variable door element: front entrance positioned at left. Both side wall elements folded back to balcony trim. Arched door element ('stable door' effect), here positioned at right, also available as an option.



...strip insert at one side forming a weatherproof connection. Additional entrance at the side. Front wall folded back to balcony trim (balcony poles: see accessories).



...fabric covers for all windows with zip-fasteners at the side. Sunroof available as an accessory (not suitable for snow). Door element positioned at right rear.



Only the inset length attaches the awning to the caravan, measured from the ground, not the base. The inset length is the distance to the meeting line, without the overhanging canopy. The optimum fit is achieved at strip rail heights of approx. 240 cm to 250 cm.

Inka





Size 03-300 illustrated

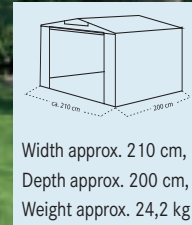


...with folded-down front wall, both side doors opened.

Available sizes:

-  Inka 02-250,
Width approx. 250 cm,
Depth approx. 215 cm,
Weight approx. 24 kg
-  Inka 03-300,
Width approx. 300 cm,
Depth approx. 215 cm,
Weight approx. 25 kg

Depot



... large, robust equipment tent for the safe and weatherproof storage of equipment.

The approx. 145 cm wide, roll-up door offers a clearance height of approx. 180 cm. Two large top ventilation openings ensure optimum cross-ventilation. Eaves height of approx. 180 cm, centre height approx. 210 cm: plenty of room for all sorts of things which unnecessarily waste space in the caravan or awning.

- **Material:** roof and sides completely synthetic, PVC-coated on inside and outside, washable.
- **Poles:** steel poles, 22 x 1 mm, 4 legs.
- **Equipment:** pegs, guy ropes, curtains, Washable spray wall with wide, double earth strip, with multi-function strips in between for close ground attachment.
- **Special accessories:** packing set

Rondo



... for a shady spot

This sunroof for all Brand roundroof tents offers a comfortable usage depth of approx. 235 cm. Available in Brand awning sizes 09-41. The roof is attached to the three pole pins of the awning pole, and tensioned with a roof pole, a front framework pole and corresponding guy ropes.

- **Material:** completely synthetic, coated on outside.
- **Poles:** steel poles, 22 x 1 mm, 3 legs
- **Equipment:** pegs, guy ropes.

...light pent roof awning, the ideal accompaniment for trips and weekend excursions!

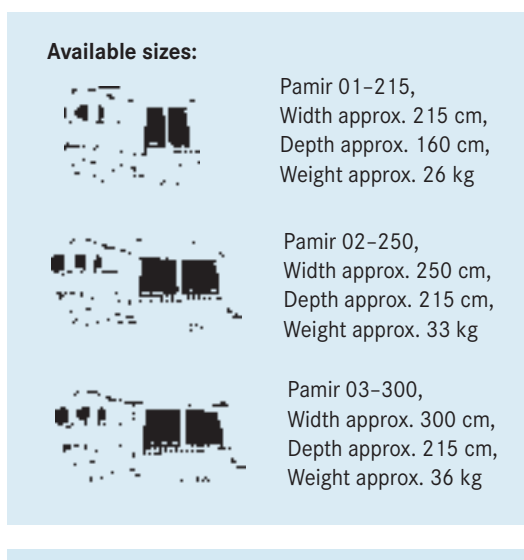
Front wall folding back to balcony trim or completely removable. Both side windows half gauze/half film with film flaps attached by zip-fasteners. Fabric covers for the 2-way door zip-fasteners ('stable door' effect) of both side walls. Adjustable in height from 238 to 250 cm strip rail height.

- **Material:** roof and sides completely synthetic, coated on outside, washable.
- **Poles:** aluminium poles, 28 x 1 mm – 5 poles incl. pressure pole.
- **Standard equipment:** pegs, guy ropes, curtains, smooth-running inset strip with adapter for SHS system and sealing strips (2 foam cushions and pressure poles). Washable spray wall with wide, double earth strip, with multi-function strips in between for close ground attachment.
- **Special accessories:** packing set, balcony poles, window blinds, SHS retaining eyes, wheel cover, ground skirt.




Pamir



Size 02-250 illustrated



Available sizes:

-  Pamir 01-215,
Width approx. 215 cm,
Depth approx. 160 cm,
Weight approx. 26 kg
-  Pamir 02-250,
Width approx. 250 cm,
Depth approx. 215 cm,
Weight approx. 33 kg
-  Pamir 03-300,
Width approx. 300 cm,
Depth approx. 215 cm,
Weight approx. 36 kg

- **Material:** roof and sides completely synthetic, PVC-coated on inside and outside, washable.
- **Poles:** steel poles, 28 x 1 mm, **Size 01:** 2 legs and **sizes 02 + 03:** 3 legs.
- **Equipment:** pegs, guy ropes, curtains, smooth-running inset strip with adapter for SHS system, storm tensioning tabs and sealing strips (2 foam cushions and pressure poles).
- **Special accessories:** wheel cover, ground skirt.

...robust winter and travelling awning also for use in alpine regions!

An all-purpose/winter awning with weather-protection canopy in robust design with a host of user benefits, and added stability thanks to the proven **rangled roof** technique and the **standard 28 mm steel poles**. Door zip-fasteners of both side walls equipped with fabric covers, roll-up front wall. Adjustable in height from 230 to 250 cm strip rail height.

Sunny Top

Caravan sunroof



Size 21 illustrated, with aluminium awning frame (optional), ground skirt and wheel cover not supplied as standard.

Capri Luxus

Sunroof



Size 21 illustrated

... shady,

comfortable, approx. 235 cm-deep quality sunroof, including side sections attached by zip-fasteners, an affordable price class.

The benefits to you

Easy assembly with three poles. The special TenCate sunroof fabric guarantees the minimum weight. With optionally available aluminium awning poles (weight 9.5 kg) or steel poles (weight 12.5 kg). If supplied with awning poles, the 3 standard 22 mm steel poles are omitted.



...sunroof with seating corner protected against the wind.



...zip-fastening wall elements removed for easy assembly.

... versatile

usage possibilities thanks to the front wall, supplied as standard. A curtain set is also included.

The benefits to you

Low weight thanks to the Ten-Cate 'All-season touring' fabric developed specially for sunroofs and the standard 28 mm aluminium poles. The ideal accompaniment for the touring camper. The five separate awning sections enable easy and quick assembly even when changing locations frequently. Includes front wall for protection against rising wind and rain.



...sunroof with seating corner protected against the wind.



...or as a simple sunroof without side sections.

The benefits to you:

- **Roof depth:** approx. 235 cm
- **Roof and side wall material:** completely synthetic, coated on outside and washable; light- and weather-resistant
- **Frame:** 3 steel poles, Ø 22 mm.
- **All equipment:** with multi-function strips, smooth-running inset strip with SHS adapter, guy ropes, pegs and riveted rings.

Sizes available	08	09	10	11	12	21	13	31	14
Circumference dimension in cm	824-849	850-876	877-897	898-917	918-938	939-958	959-977	978-1001	1002-1025
Approx. weight in kg (without tare)	11,5	11,7	11,9	12,1	12,3	12,5	12,7	12,9	13,1

- Accessories available at extra price:**
- Awning frame, steel poles 22x1 mm,
 - Awning frame, aluminium poles 28x1 mm,
 - SHS retaining eyes (set of 3)

The benefits to you:

- **Roof depth:** approx. 240 cm
- **Roof and side wall material:** completely synthetic, coated on outside, washable, light- and weather-resistant.
- **Poles:** 28 mm aluminium, with PowerGrip system
- **Standard equipment:**
 - Front wall with zip-fasteners,
 - 1 mosquito window with film cover,
 - 2 film windows
- Multi-function strips for close ground attachment,
- Curtain set, complete, for front and side windows,
- Smooth-running inset strip with adapter for SHS system, washable spray wall,
- Ground skirt, wheel cover, guy ropes, pegs, riveted rings

Sizes available	08	09	10	11	12	21	13	31	14
Circumference dimension in cm	824-849	850-876	877-897	898-917	918-938	939-958	959-977	978-1001	1002-1025
Approx. weight in kg (without tare)	26,5	27,0	31,5	32,0	32,5	33,0	33,5	34,0	34,5

- Accessories available at extra price:**
- SHS retaining eyes

Solair

Awning sunroof



Size 21 illustrated

Parasol XL

Luxury sunroof for awnings



Size 21 illustrated

...the universal awning -

sunroof, usable depth 240 cm. Special adapter system to fit almost all Brand full-length awnings. The perfect addition to your camping equipment!

The benefits to you

The ideal framework construction offers a host of advantages:

- to fit all Brand full-length awnings with gable and canopy in sizes 07 - 16.
- quick and easy assembly thanks to the convenient framework equipment.
- the special adapters and gable poles ensure an optimum fit and the necessary hold for the awning; the awning and sunroof form a compact unit.
- once fixed to the awning, no dismantling is necessary, the sunroof can simply be rolled up by two people in the event of bad weather.
- stowed under the awning canopy, the sunroof is protected against wind and rain.



...the sunroof rolled up, protected against wind and rain under the awning canopy.



...the gable poles in the awning canopy hold the sunroof, and ensure a perfect fit.



...3 special adapters, pushed onto the pole brackets and then fixed in place, form the basis of this universal and compact solution. A perfect connection!

The benefits to you:

- **Roof depth:** approx. 240 cm
- **Roof material:** completely synthetic, coated on outside, washable, light- and weather-resistant.
- **Poles:** 22 mm steel, 1 roof pole, 3 support poles, 3 special adapters, 2 gable poles.
- **Standard equipment:**
 - Hollow-seam tabs
 - Guy ropes and pegs
 - Retaining eyes for attachment to the caravan and use as a caravan sunroof

Sizes available	07	08	09	10	11	12	21	13	31	14	41	15	16
Circumference dimension in cm	799-823	824-849	850-876	877-897	898-917	918-938	939-958	959-977	978-1001	1002-1025	1026-1051	1052-1075	1076-1095
Approx. weight in kg (without tare)	12,6	12,7	12,8	15,1	15,2	15,3	15,4	15,5	15,6	15,9	16,1	16,3	18,8

... a classic on its own,

the awning sunroof of the luxury class with two side wall elements attached by zip fasteners. The proven special pole for awning sunroofs ensures the optimum fit and stable assembly. Useful additional space for comfortable seating, or simply to provide shade.

The benefits to you

The front frame pole, three roof poles and three special adapters for attachment to the main pole of the awning provide the necessary stability. Robust Velcro fasteners on the wall elements and retaining straps on the roof element provide stability where it is needed, and also enable different usage variants. The perfect solution for almost all fully-fitted tents with awnings up to and including Brand awning size 16.



... as a partial sunroof.



... remove the 2 wall sections.

The benefits to you

- **Roof depth:** approx. 240 cm
- **Roof material:** completely synthetic, coated on outside, washable, light- and weather-resistant.
- **Poles:** 22 mm steel, 1 roof pole, 3 support poles, 3 special adapters, 2 gable poles.
- **Standard equipment:** Two side wall elements, detachable by zip fasteners, guy ropes, tent pegs, rivet-head rings.
- **A comprehensive, illustrated description of the framework can be found on page 48 of this catalogue (Solair model).**

Sizes available	07	08	09	10	11	12	21	13	31	14	41	15	16
Circumference dimension in cm	799-823	824-849	850-876	877-897	898-917	918-938	939-958	959-977	978-1001	1002-1025	1026-1051	1052-1075	1076-1095
Approx. weight in kg (without tare)	20,2	20,4	20,6	23,0	23,2	23,4	23,6	23,8	24,0	24,2	24,4	24,6	24,8



Universal - Standard - Annex

›Standard‹ annex with double earth strips and multi-function strips.

■ Usable space increase of approx. 125 cm wide by approx. 230/270 cm deep!

A range of annexes, matching the colour of your awning, for use as cooking, sleeping or storage areas. The embossed film covers of the combined gauze-film windows are equipped with zip-fasteners at the sides. By means of the special zip-fastener system, the awning side wall can be removed, and the annex attached, in the same weatherproof way common to all Brand awnings.

- **Material:** completely washable, roof and sides completely synthetic, coated on outside. The roof undersides have a decorative print popular with campers.
- **Contents:** complete with 22 mm x 1 mm steel poles, incl. eaves stabilisation poles.
- **Special accessories:** partition wall for hanging from eaves pole, universal sleeping compartment (approx. 210 x 120 cm), rain gutter.
- **For retro-fitting** to most models produced after 1985.



Universal - Rasta - Annex

›Rasta‹ annex with separate entrance zip-fastener.

Available range:	matching awning models:
Universal Standard-Annex:	Centimo, Safir TL, Tarifa, Siena, Mirador L, Metropol L, Castello, Apollo Plus
Universal Rasta-Annex:	Metropol L, Castello, Apollo Plus
Annex ›Rasta 280‹ for awnings 280 cm deep	Platin 280, Riogrande Plus, Palazzo L
Annex Standard (GO)	Goya
Annex Standard (MB 30)	Marbella S
An Annex is not offered for the following models:	
Arcade TL - Nomada - Opal XL - Magellan - Galaxy 350 - Titania	

The standard annex is available in different model variants for use on the right or left side of the tent.

Weatherproof zip-fastener connection between annex and awning side wall. The fabric cover protects the zip-fastener and allows the rain to run off (rain gutters available for annex as accessories). Rain gutters cannot be fitted to awning side walls used for annexes.



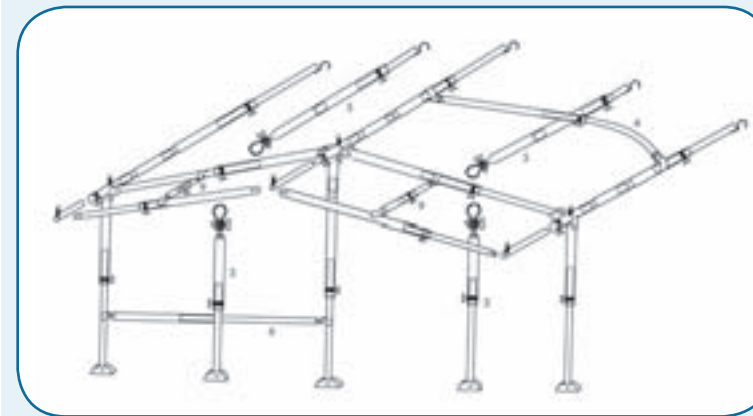
Streifenmarkise, Abbildung Dessin 45.

Window awnings

with aluminium poles, for protection against sun or rain!

Dimensions approx. 180 cm wide x 80 cm deep. Please specify the pattern number when ordering.

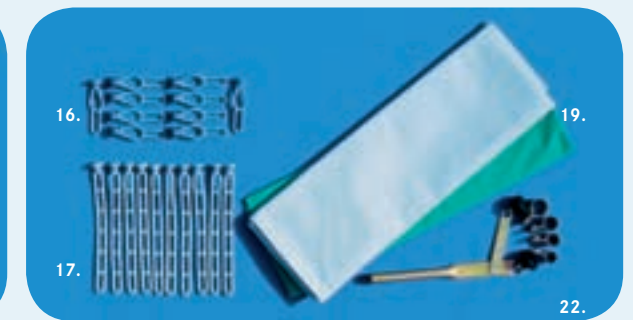
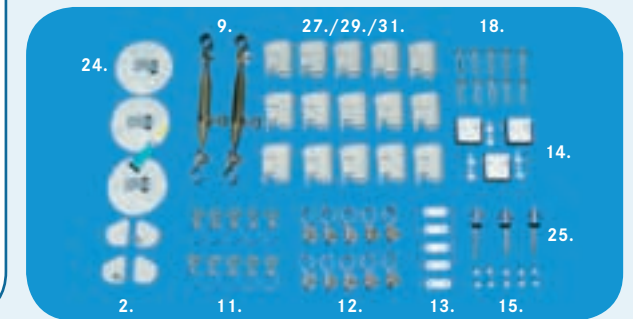
- **Pattern 45:** Striped awning for models Safir TL, Siena, Mirador L, Metropol L, Magellan, Castello, Apollo Plus, Palazzo L, Titania.
- **Pattern 51:** Universal awning for models Centimo, Platin 280, Arcade TL, Goya, Marbella S, Nomada, Tarifa, Opal XL, Riogrande Plus, Galaxy 350, Inka, Pamir.



- Rain gutter, aluminium, 280 cm long
- Rain gutter set with end-caps for left and right
- Storm support, steel Ø 25 mm, clamp and foot, telescopic 165 - 260 cm
- Storm support, steel Ø 28 mm, clamp and foot, telescopic 165 - 260 cm
- Storm support, steel Ø 32 mm, clamp and foot, telescopic 180 - 260 cm
- Storm support, aluminium Ø 28 mm, clamp and foot, telescopic 165 - 260 cm
- Storm support, aluminium Ø 32 mm, clamp and foot, telescopic 180 - 260 cm
- Roof pole, arched, steel Ø 25mm, telescopic 210 - 255 cm
- Roof pole, arched, steel Ø 25mm, telescopic 270 - 320 cm
- Roof pole, straight, steel Ø 25 mm hook and clamp, telescopic 215 - 300 cm
- Roof pole, straight, steel Ø 28 mm hook and clamp, telescopic 220 - 300 cm
- Roof pole, straight, steel Ø 32 mm hook and clamp, telescopic 285 - 260 cm
- Roof pole, straight, aluminium Ø 28 mm, hook and clamp, telescopic 160 - 260 cm
- Roof pole, straight, aluminium Ø 32 mm, hook and clamp, telescopic 160 - 260 cm
- Clamp pole, 2 clamps, steel, 80 - 120 cm for Ø 22 - 28 mm
- Clamp pole, 2 clamps, steel, 120 - 205 cm for Ø 22 - 28 mm
- Clamp pole, 2 clamps, steel, 160 - 260 cm for Ø 22 - 28 mm
- Clamp pole, 2 clamps, steel, 215 - 300 cm for Ø 22 - 28 mm
- Clamp pole, 2 clamps, aluminium, 80 - 120 cm for Ø 22 - 28 mm
- Clamp pole, 2 clamps, aluminium, 120 - 200 cm for Ø 22 - 28 mm
- Clamp pole, 2 clamps, aluminium, 160 - 260 cm for Ø 22 - 28 mm
- Support pole, steel Ø 22 mm, foot and point, 125- 205 cm
- Ridge pole
- Spacers, steel, for Ø 25 - 32 mm (1 set)

Poles and accessories

Numbering as shown in illustrations.



- Bag of 10 pole connectors for Ø 25, 28 and 32 mm
- 10 pole clamps, complete, for Ø 25, 28 and 32 mm
- 5 caravan retaining eyes with screws
- 3 SHS system retaining eyes
- 10 curtain rings
- 10 rivet-head tensioning rings for multi-function strips, grey and brown
- 10 rivet-head stays
- 10 anchor rings for ground skirt
- Packing set, 2-piece, fabric
- Ground skirt, grey
- 1 pole tensioner
- Roof attachment set (1 set = 3 retaining loops, incl. fabric pads and adhesive)
- 3 pole pins incl. sealing ring and cap
- PowerGrip pole tensioner, for Ø 22 mm, 5 pcs.
- 1 piece PowerGrip pole tensioner, for Ø 25 mm
- PowerGrip pole tensioner retro-fit set, for Ø 25 mm, 15 pcs. complete
- 1 piece PowerGrip pole tensioner, for Ø 28 mm
- PowerGrip pole tensioner retro-fit set, for Ø 28 mm, 15 pcs. complete
- 1 piece PowerGrip pole tensioner, for Ø 32 mm
- PowerGrip pole tensioner retro-fit set, for Ø 32 mm, 15 pcs. complete
- Packing bag for frame
- Packing bag for awning
- Storm-Band Mistral

Special poles (available at an extra price)

- **Aluminium poles, 28 x 1.0 mm**, incl. PowerGrip system. Especially for the touring camper. For use with awning depths of 240 cm. Available for the following models from this catalogue: Centimo, Goya, Nomada, Siena.
- **Steel poles, 28 x 1.0 mm**, incl. PowerGrip system. Equipped with the PowerGrip tensioning system. For use with awning depths 240 - 280 cm. Available for the following models from this catalogue: Centimo, Safir TL, Platin 280, Arcade TL, Goya, Tarifa, Siena
- **Steel poles, 32 x 1.5 mm**. For 2.5 - 3 times static loading. Greater weight than standard poles. For use with awning depths 240 - 280 cm. Available for the following models from this catalogue: Centimo, Safir TL, Platin 280, Goya, Tarifa, Siena, Mirador L, Metropol L, Riogrande Plus, Magellan, Castello, Apollo Plus, Palazzo 'L'.
- **Aluminium poles, 32 x 1.5 mm** (insert section 28 x 2.0 mm) It provides the same structural stability as the proven 25 mm steel poles. For use with awning depths 240 - 280 cm. Available for the following models from this catalogue: Centimo, Safir TL, Platin 280, Goya, Tarifa, Siena, Mirador L, Metropol L, Riogrande Plus, Magellan, Castello, Apollo Plus, Palazzo 'L'.
- **Separate Poles:** Storm supports, roof poles and balcony poles also available in required dimensions.
- **Canopy reinforcement** (without PowerGrip)
The following models are supplied as standard with canopy reinforcement: ArcadeTL, Marbella S, Nomada, Opal XL, Mirador L, Metropol L, Riogrande Plus, Magellan, Galaxy 350 and Palazzo 'L'. Models Castello, Apollo Plus and Titania are supplied as standard with **all-round** canopy reinforcement. The following models are equipped with hollow-seam tabs in the canopy, which enable fitting of pole reinforcement if required: Centimo, Safir TL, Platin 280, Goya, Tarifa, Siena.

For sizes 05 - 09, this reinforcement consists of 2 canopy rods, and for sizes 10 - GX of 2 canopy rods and 2 spacers.

● Your practical fold-out guide

Standard equipment → see also pages 4,5 and 6

Roof

Metallic coating on outside, decorative print on inside

One-piece roof surface, *without seam*

Poles

Pole equipment: sizes 10 - GX = 5 legs (2 adjustable), 5 roof poles

Pole equipment: sizes 05 - 09 = 3 legs, 3 roof poles

PowerGrip system for Ø 28 mm poles

Standard canopy reinforcement

Front wall

Variable entrance positioning

Arched entrance door, rolling up to side

Straight entrance door, rolling up to top

Windows

Film covers on side windows, closed by zip-fasteners at the sides

Window covers on *all* windows, closed by zip-fasteners at the sides

3-piece side windows: 1/2 ventilation gauze + film cover + fabric flap

1-2 3-piece climate windows: full gauze + film cover + fabric flap

Side wall windows also with decorative curtains (except climate windows)

Zip-fasteners

Heavy-duty zip-fasteners

Side wall zip-fasteners protected by fabric covers

Outer frame zip-fasteners of front wall protected by fabric covers

All heavy-duty front wall zip-fasteners protected by fabric covers

General equipment

Multi-function strips for close ground attachment

Wide interior strips, multi-function strips and exterior earth strips

Hollow-seam tabs for fitting of canopy reinforcement (accessory)

Hollow-seam tabs for fitting of standard canopy reinforcement

Hollow-seam tabs in front and side walls for balcony poles for wall stabilisation

Curtains with roller hangers

Double curtain strip for a 2nd outer curtain

Ground skirt, wheel cover, pegs and guy ropes

Smooth-running insert strip with adapter for inner roof liner and SHS system

Eaves strip for fitting of rain gutters

Storm tensioning tabs (strong PVC parts) all round

Top ventilation

Top ventilation closing with zip-fasteners

Velcro attachments for additional storm supports

Special accessories (available at an extra price) → see also Pages 50 and 51

Steel poles, 28 mm x 1.0 mm, with **PowerGrip system** available at an extra price

Steel poles, 32 mm x 1.5 mm available at an extra price

Aluminium poles, 28 mm x 1.0 mm, with **PowerGrip system** available at an extra price

Aluminium poles, 32 mm x 1.5 mm available at an extra price

Additional canopy reinforcement set

Matching annex, 'Standard' or 'Rasta' (see detailed description on Page 50)

Storm supports, roof poles, clamp poles, rain gutters and further accessories (see Page 51)

Inner roof lining (delivery time 4 - 6 weeks)

SHS retaining eyes

Matching window blinds (see detailed description on Page 50)

Brand quality feature



Zip fasteners made to size to fit the relevant tent.

Brand quality feature



All side wall zip fasteners are protected against wind, rain and weather effects by integral covers of high-quality tent side wall material. The edges of the fabric are enclosed in a PVC strip.

Brand quality feature



Equipped with wind protection flaps of high-quality PVC material coated both sides. Fabric edges enclosed in a strip. No edge seam which might tend to fray.

...Useful accessories

In addition to the comprehensive standard equipment of our awnings, we also carry a wide range of interesting and useful accessories (see Page 7 and 51). Items that make many things easier, and also offer that special 'extra' when it comes to convenience and livability.

Some interesting examples.

PowerGrip



Convenient, easy tensioning of the tubes, no damage to the tube surface, no deformation of the tube (more information on page 7 of this catalogue).

Mistral storm safety



No abrasion of the roof material, no stretching of stressed fabric areas, no tearing of over-stressed seams (more information on page 7 of this catalogue).

Awning tensioner



A 7-piece set for all pole dimensions. Effortless tensioning of the fabric surface for optimum stability of your awning.

Roof attachment set



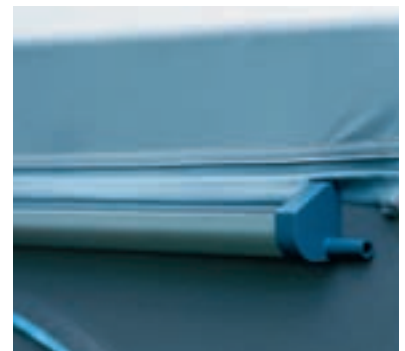
Put an end to the flapping of your awning roof in high winds. A tube of special adhesive, 3 adhesive pads and Velcro straps provide the necessary hold.

SHS screwless retaining eyes



Of high-strength plastic, with rotating eyes fixed to the awning by means of integrated strip guides. The retaining eyes can also be permanently screw-fitted. We recommend these for seasonal and all-year camping, or for stormy locations.

Rain gutters and end caps



In aluminium, length 280 or 320 cm - for all awnings with an eaves strip (except awnings with surrounding roof overhang). Avoids the accumulation of dirt on the side walls from falling rainwater. End caps available as additional accessories.

Packing bags



Ideal for transport and storage. Made of high-quality, tough polyester material, with side ventilation gauze panels. Size 01 - Pole bag 117 x 28 x 28 cm, size 02 - Tent bag 110 x 40 x 40 cm.

Entrance variant with arched door



Allows the stable door effect. Available at an extra price for Palazzo L, Castello, Apollo Plus - Titania.

Inner lining



The inner strips which have been sown into our awnings since October 1999 enable the fitting of an inner lining in all Brand full-length awnings with floor level depths of 240 cm. A perfect fit is assured, since a separate size is available for all awning sizes. The linings are made-to-measure, so delivery time is approx. 4 - 6 weeks.

Chiemsee Plus

Family bungalow with adjustable front wall

Whatever your space requirements

you can adjust the front wall as required. The three compartments afford enough space for the whole family. All side windows with $\frac{1}{2}$ ventilation gauze and $\frac{1}{2}$ clear film. Additional film flap for rain and wind protection. Multi-function strips for weatherproof, close ground attachment. Includes 2 packing bags. Special accessory: Sunroof U1.



The benefits to you:

Roof and side wall material completely synthetic, coated on outside, washable. Reduced condensation formation. No evaporation or creation of odours.

Steel poles 22 x 1 mm
8 legs
Ridge height approx. 210 cm
Eaves height approx. 178 cm
Weight approx. 53 kg



*Important:
Calculation of circumference dimensions and sizes!*

The awning size required for your caravan should only be taken from the Brand size table.

Size information of other manufacturers does not necessarily correspond to our sizes. You can however calculate the correct awning size from the length (or circumference) of your caravan. To do this, park your caravan normally and lower the supports. Measure the dimension E-F using a non-elastic cord threaded through the caravan awning channel, and then calculate the circumference dimension in cm. For instance, if your caravan measures 845 cm, this circumference will be found within size 08 (824 - 849 cm) in the size scales for the models in this catalogue.

Since changes may occasionally be made by caravan manufacturers during the season (axles, wheels etc.), which may affect the circumference dimension, we recommend that you calculate the circumference dimension E-F and compare it with the caravan type and year dimensions given in the size table.



- If you choose a floor plinth, this should be taken into account in the awning size. Your specialist dealer will be happy to advise you.
- Size GX is always made to order, and is a basic size for caravan awnings with circumference dimensions over 1156 cm.

Your specialist dealer:



Brand GmbH & Co. KG

Jahnstraße 33 · 32361 Preußisch Oldendorf
Postfach 1120 · 32352 Preußisch Oldendorf
Telefon: (0 57 42) 9 40-14
Telefax: (0 57 42) 9 40-66
Internet: www.brand-camping.com

Subject to technical amendment in the course of further development, colour changes and colour variations due to printing. All sales are subject to our delivery and payment conditions.

The illustrations in this catalogue are protected by copyright, and may not be copied or used, in whole or in part, in any way.